

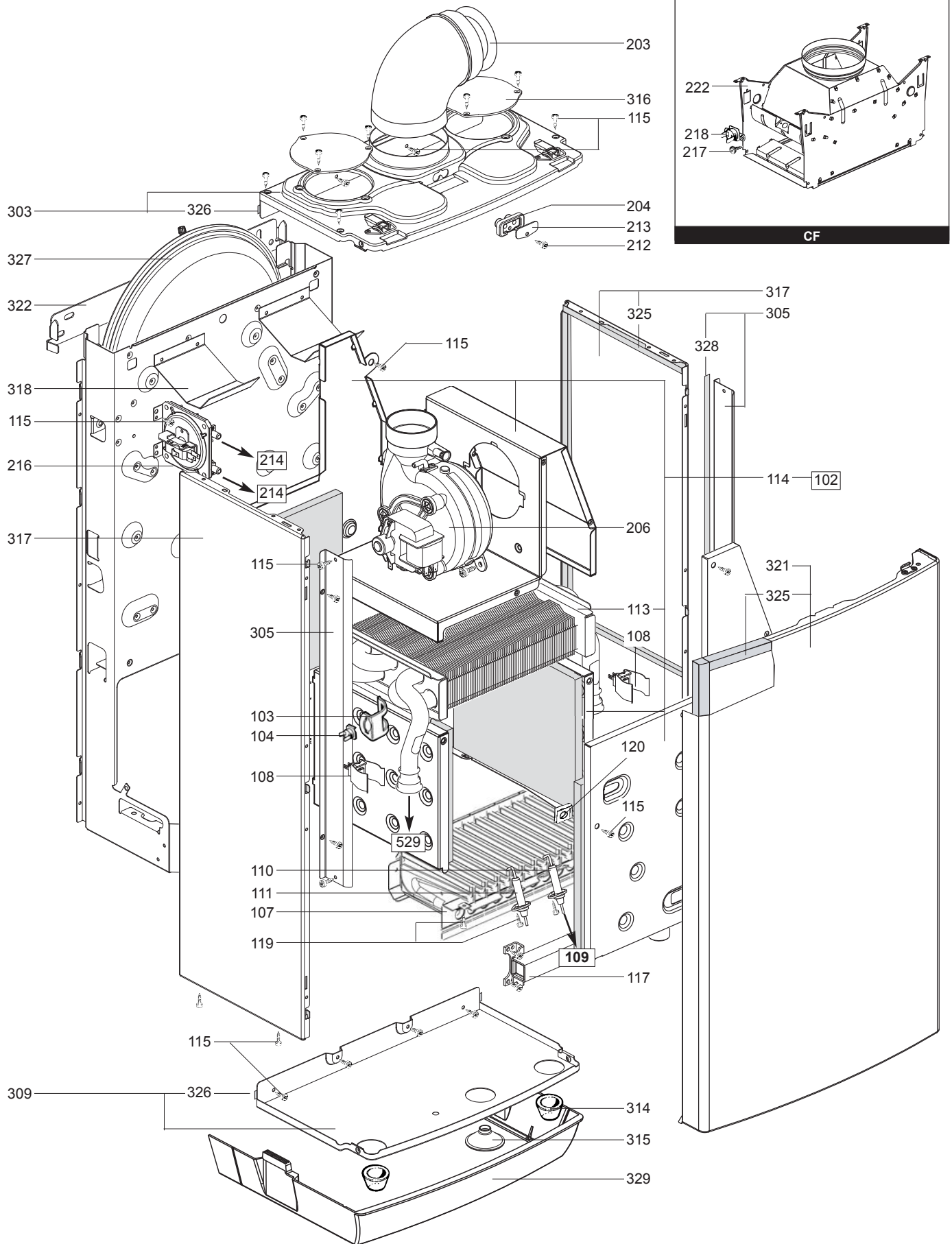
SPARE PARTS EXPLODED VIEW GAS-WALL BOILER ATM. BURNER

Model

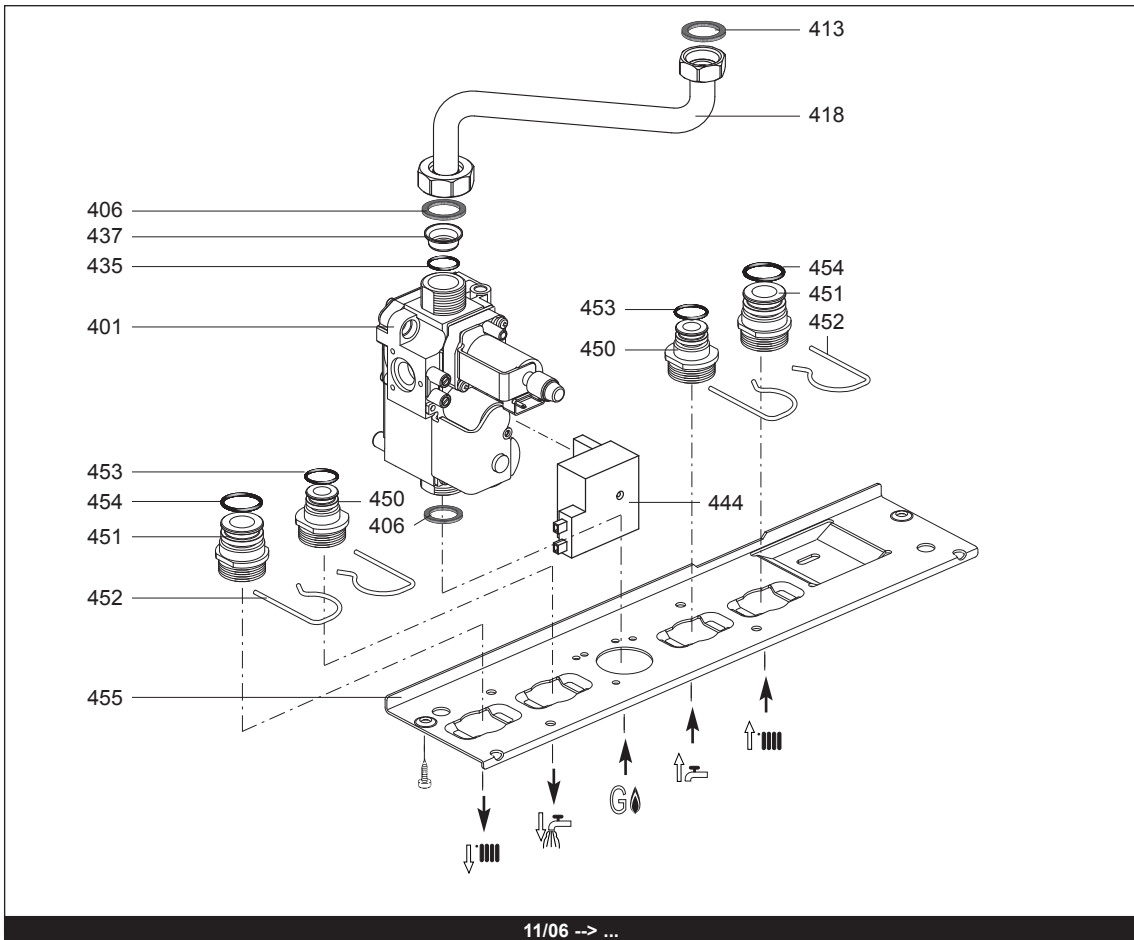
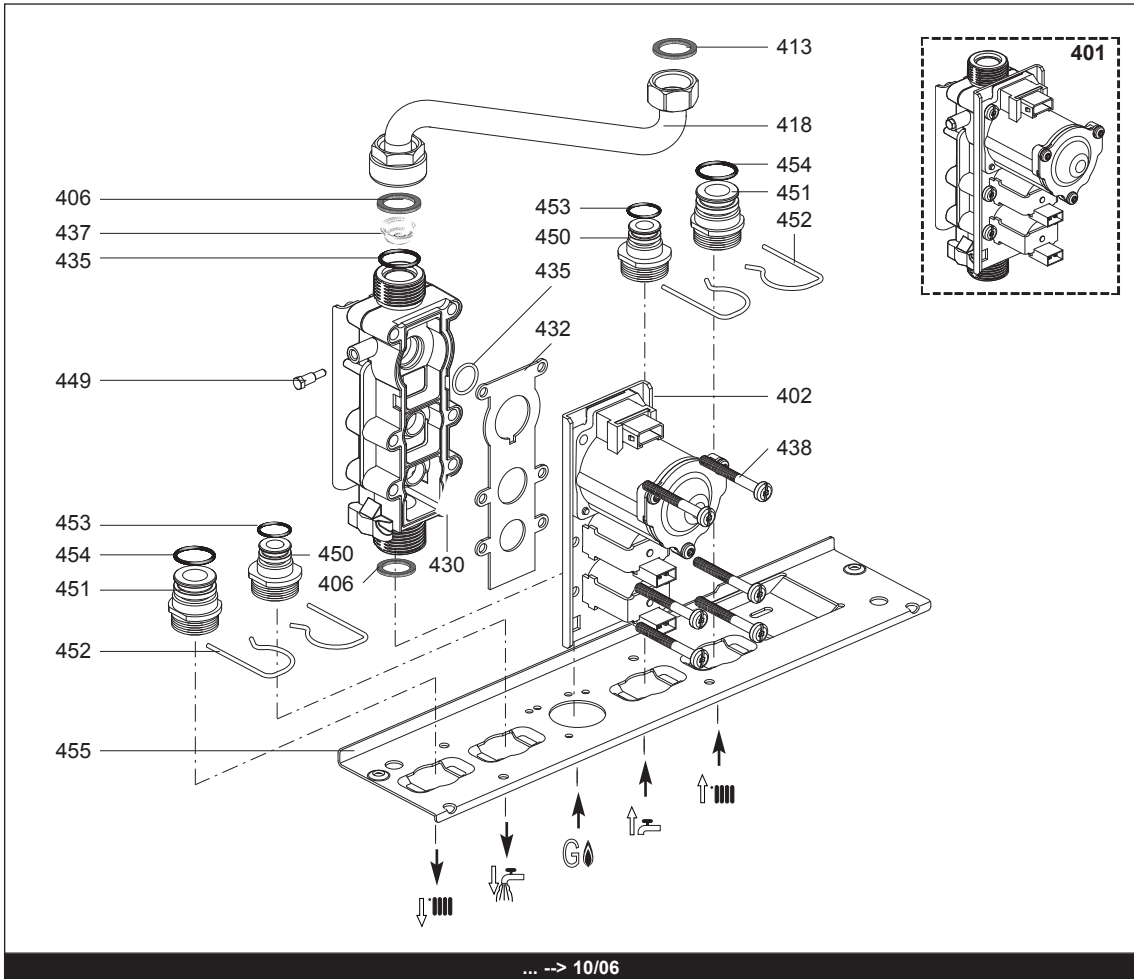
MIRA COMFORT

R8202981-04 - 01/07/2013

1	3650019	MIRA COMFORT 24 CF N EAA	02-2006	07-2008
1	3650095	MIRA COMFORT 24 CF GPL EAA	01-2006	09-2007
2	3650036	MIRA COMFORT 24 FF N EAA	02-2006	06-2008
2	3650096	MIRA COMFORT 24 FF GPL EAA	01-2006	09-2007
3	3650072	MIRA COMFORT 30 FF N EAA	04-2006	06-2008
3	3650097	MIRA COMFORT 30 FF GPL EAA	01-2006	09-2007
Col	Reference	Model type	Begin	End



☉⇒	Description	Manf. Pt. N	Type	<div style="display: flex; justify-content: space-between; align-items: center;"> <div style="transform: rotate(-45deg); font-size: small;"> MIRA COMFORT 24 CF MIRA COMFORT 24 FF MIRA COMFORT 30 FF </div> <div style="border: 1px solid black; padding: 2px;">31</div> </div>																	
				1	2	3	4	5	6	7	8	9	10	11	12	13	14	15	16	17	18
0100	BURNER ASSEMBLY																				
0102	COMBUSTION CHAMBER LINING KIT	61400230			●																
	COMBUSTION CHAMBER LINING KIT	61400231		●		●															
0103	CLIP	61010050		●	●	●															
0104	OVERHEAT THERMOSTAT 105C	61010191			●	●															
	OVERHEAT THERMOSTAT 105C	61303566		●																	
0107	BURNER 24CF	61311357		●																	
	BURNER 24FF	61315073			●																
	BURNER 30FF	61311028				●															
0108	TEMPERATURE PROBE + CLIP	990686		●	●	●															
0109	ELECTRODE CABLE	60000240		●	●	●												10/06			
	ELECTRODE CABLE	61313738		●	●	●												11/06			
0110	IGNITION ELECTRODE	60000230		●	●	●												10/06			
	IGNITION ELECTRODE	61314169		●	●	●												11/06			
0111	IONIZATION ELECTRODE	60000231		●	●	●															
0113	HEAT EXCHANGER 24CF	61310422		●																	
	HEAT EXCHANGER 24FF	61310774			●																
	HEAT EXCHANGER 30FF	61310430				●															
0114	COMBUSTION CHAMBER ASSY 24CF	61311368-01		●																	
	COMBUSTION CHAMBER ASSY 24FF	61314556-01			●																
	COMBUSTION CHAMBER ASSY 30FF	61314557-01				●															
0115	TAPPING SCREW CBLX D: 4.2-9.5	61010125		●	●	●															
0117	MANIFOLD 11 INJ. D:0.80	61313490	B/P		●																
	MANIFOLD 11 INJ. D:1.35	61311026	NAT		●																
	MANIFOLD 12 INJ. D:0.78	61313488	B/P	●																	
	MANIFOLD 12 INJ. D:1.25	61311358	NAT	●																	
	MANIFOLD 14 INJ. D:0.82	61311034	B/P			●															
	MANIFOLD 14 INJ. D:1.30	61311033	NAT			●															
0119	TAPPING SCREW ST D: 4.2-9.5	61313796		●	●	●															
0120	SPIRE CLIP	60057488		●	●	●															
0200	FAN ASSEMBLY																				
0203	RESTRICTOR	60000197			●																
	RESTRICTOR	60000198				●															
0204	GASKET (FLUE TEST POINT)	998636			●	●															
0206	FAN ASSY 47W	60000243			●																
	FAN ASSY 60W	60000249				●															
0212	SCREW CLXS M 4-12	61015153			●	●															
0213	COVER (FLUE TEST POINT)	998565			●	●															
0214	SILICONE TUBE D: 9x3 L: 1.30M	60081265			●	●															
0216	AIR PRESSURE SWITCH 20 Pa	60000163-01			●	●															
0217	SHEET SCREW CBLX D: 3.5-6.5	61010126		●																	
0218	OVERHEAT THERMOSTAT 72C	61010074		●																	
0222	DRAUGHT DIVERTER	61312338		●																	
0300	SEALED CASE																				
0303	TOP PANEL BOX	61312650			●	●															
0305	RIGHT CONTROL PANEL	61312643			●	●															
0309	BASE - BOX	60000244			●	●												10/06			
	BASE - BOX	60000555			●	●												11/06			
0314	GROMMET	61010109			●	●															
0315	GROMMET	61312492			●	●															
0316	AIR RETURN COVER	990350			●	●															
0317	CONTROL PANEL	61310860			●	●															
	LEFT SIDE PANEL	61312814		●																	
	RIGHT SIDE PANEL	61312356		●																	
0318	DEFLECTOR	61313778			●	●															
0321	CASE	61313042			●	●															
	CASE	61313402		●																	
0322	WALL HOOK	61312611		●	●	●															
0323	TAPPING SCREW D: 3.5-9.5	61015329		●	●	●															
0325	FOAM SEAL 20x15 L: 1.7M	61400236			●	●															
0326	FOAM SEAL 10x2 L: 800mm	61400237			●	●															
0327	EXPANSION VESSEL 6L	61311907		●	●	●															
0328	FOAM SEAL 15x10 L: 1M	61400393		●	●	●															
0329	ROD PLATE	60000468		●	●	●															



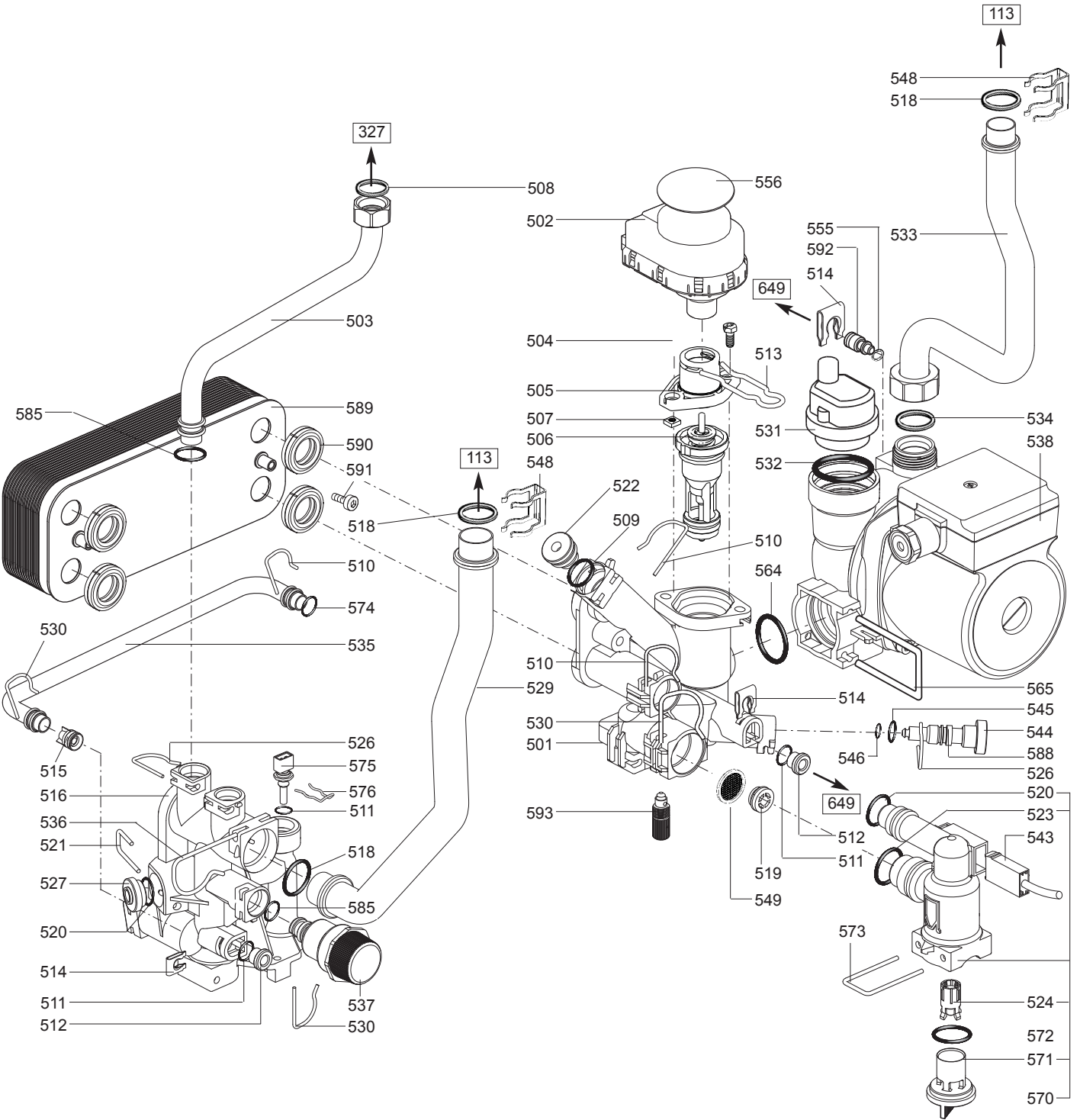
MIRA COMFORT 24 CF
MIRA COMFORT 24 FF
MIRA COMFORT 30 FF

31

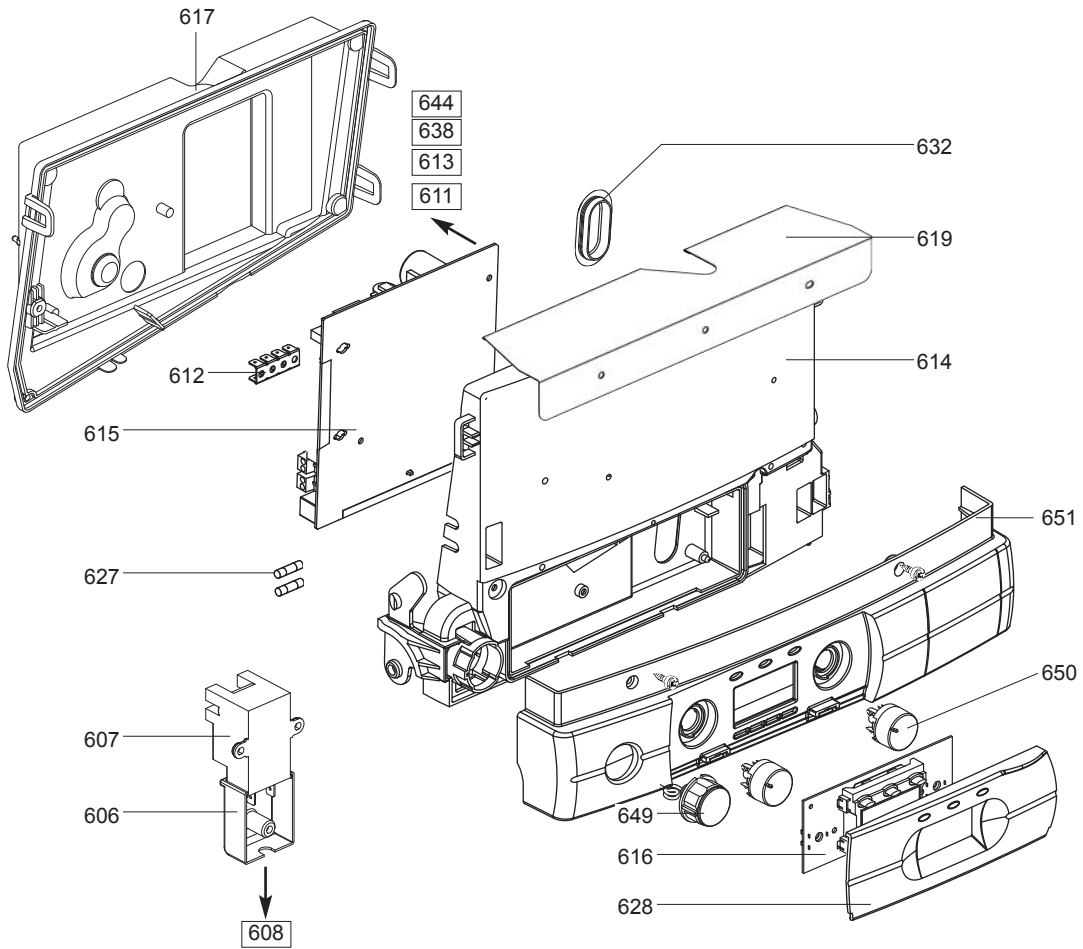
☉⇒	Description	Manf. Pt. N	Type																		
				1	2	3	4	5	6	7	8	9	10	11	12	13	14	15	16	17	18
0400	GAS SECTION																				
0401	GAS VALVE	61312123		•	•	•													11/06		
	GAS VALVE LPG	60000250	B/P	•	•	•													10/06		
	GAS VALVE NAT	60000242	NAT	•	•	•													10/06		
0402	SOLENOID VALVES KIT LPG	60081860	B/P	•	•	•															
	SOLENOID VALVES KIT NAT	60081859	NAT	•	•	•															
0406	SHEET GASKET D: 24-18.2-1.5	60022835-01		•	•	•															
0413	SHEET GASKET D: 18.4-12.2-1.5	60022835-14		•	•	•															
0418	GAS TUBE	60000233		•															10/06		
	GAS TUBE	60000245			•	•													10/06		
	GAS TUBE	61312603			•	•													11/06		
	GAS TUBE	61313505		•															11/06		
0430	FILTER	60000166		•	•	•															
0432	GASKET (/Solenoid valve)	61013018		•	•	•															
0435	O-RING D: 14.1-1.6	60021061-41		•	•	•															
0437	GAS RESTRICTOR D: 6	60000232	NAT	•	•														10/06		
	GAS RESTRICTOR D: 6.4	60000501				•													11/06		
	RESTRICTOR D: 5.3	60000500	NAT			•													11/06		
	RESTRICTOR D: 5.7	60000498		•															11/06		
0438	SCREW CLXS M 5-45	61014414		•	•	•															
0444	IGNITER	61312612		•	•	•													11/06		
0449	PRESSURE TEST POINT SCREW	61016378		•	•	•															
0450	CONNECTION	61311718		•	•	•															
0451	CONNECTION	61311719		•	•	•															
0452	PIN	61302332		•	•	•															
0453	O-RING D: 13.6-2.7	60024164-18		•	•	•															
0454	O-RING D: 18-3.15	61312979		•	•	•															

MIRA COMFORT

Gas-wall boiler atm. burner



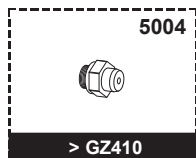
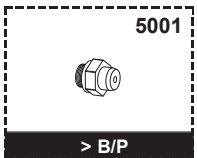
☉→	Description	Manf. Pt. N	Type	<div style="display: flex; justify-content: space-between; align-items: center;"> <div style="transform: rotate(-45deg); font-size: small;"> MIRA COMFORT 24 CF MIRA COMFORT 24 FF MIRA COMFORT 30 FF </div> <div style="border: 1px solid black; padding: 2px;">31</div> </div>																	
				1	2	3	4	5	6	7	8	9	10	11	12	13	14	15	16	17	18
0500	HYDRAULIC BLOCK																				
0501	RIGHT HAND BLOCK + V3V	61315676		•	•	•															
0502	MOTOR - THREE-WAY VALVE	61302483-01		•	•	•															
0503	TUBE (Expan vessel)	61312602		•	•	•															
0504	SCREW CHc M 5-12	61018365		•	•	•															
0505	INTERFACE	61304003		•	•	•															
0506	VALVE KIT	61311597		•	•	•															
0507	NUT M 5	61016604		•	•	•															
0508	SHEET GASKET D: 12-6-2	61308868		•	•	•															
0509	O-RING D: 13.6-2.7	61009834-18		•	•	•															
0510	CLIP	61010112		•	•	•															
0511	O-RING D: 5.7-1.9	60024164-10		•	•	•															
0512	PLUG	61016752		•	•	•															
0513	PIN	61304002		•	•	•															
0514	CLIP	61002406		•	•	•															
0515	BY-PASS D:20	61316013		•	•	•															
0516	LEFT HAND HYDRAULIC BLOCK	60000234		•	•	•															
0518	O-RING D: 17-4	60024164-51		•	•	•															
0519	FLOW REGULATORE 10L/MN (WHITE)	61017288-10		•	•	•															
	FLOW REGULATORE 8L/MN (RED)	61017288-08		•	•	•															
0520	O-RING D: 13.6-2.7	60024164-18		•	•	•															
0521	PIN	61012909-02		•	•	•															
0522	PLUG	61313056		•	•	•															
0523	O-RING D: 18.4-2.7	60024164-22		•	•	•															
0524	PISTON	61311314		•	•	•															
0526	CLIP	61010005		•	•	•															
0527	PLUG	61002490		•	•	•															
0529	HEAT EXCHANGER TUBE	61312604		•	•	•															
	HEAT EXCHANGER TUBE	61313033		•	•	•															
0530	CLIP	61313953		•	•	•															
0531	AIR SEPARATOR HEAD ASSEMBLY	61304608		•	•	•															
0532	GASKET KIT	61304618		•	•	•															
0533	TUBE : PUMP TO HEAT EXCHANGER	61312605		•	•	•															
	TUBE : PUMP TO HEAT EXCHANGER	61313034		•	•	•															
0534	O-RING D: 16-1.9	61009833-37		•	•	•															
0535	BYPASS TUBE D:15	61314383		•	•	•															
0536	PIN	61302332		•	•	•															
0537	PRESSURE RELIEF VALVE (3 BAR)	61312668		•	•	•															
0538	PUMP + AIR SEPARATOR 15/50	61301964		•	•	•															
	PUMP + AIR SEPARATOR 15/60	61303461		•	•	•															
0543	STOPPED WATER THROTTLE	61311745		•	•	•															
0544	TAP KNOB	60066107		•	•	•															
0545	O-RING D: 8.9-1.9	60024164-13		•	•	•															
0546	O-RING D: 3.6-2.4	61009834-53		•	•	•															
0548	CLIP	61010609		•	•	•															
0549	WATER FILTER	61301924		•	•	•															
0550	CAPACITOR	61000652-10		•	•	•															
0555	O RING D: 5.7-1.9	61009834-10		•	•	•															
0556	INSULATION	61313086		•	•	•															
0564	O-RING D: 24.6-3.6	61009834-30		•	•	•															
0565	PIN	61305185		•	•	•															
0570	STOPPED WATER THROTTLE BODY	60000668		•	•	•															
0571	PLUG	61314175		•	•	•															
0572	O-RING D: 25-2.4	60024164-32		•	•	•															
0573	PIN	61016206-02		•	•	•															
0574	GASKET D: 15-3	61315715		•	•	•															
0575	THERMISTOR TEMP. SENSOR	61314955		•	•	•															
0576	TEMPERATURE SENSOR CLIP	61002083		•	•	•															
0585	O-RING D: 8.9-2.7	61009834-14		•	•	•															
0588	SPINDLE	61312368		•	•	•															
0589	INSUALTION-W/WATER HEAT EXCH.	60000235		•	•	•															
	WATER / WATER HEAT EXCHANGER 24	60000310		•	•	•															
0590	EXCHANGER GASKET	65104334		•	•	•															
0591	SCREW CLX M 5-20	61017600		•	•	•															
0592	PLUG	61314575		•	•	•															
0593	DRAIN SCREW ASSY	60081904		•	•	•															



900



5000



☉⇒	Description	Manf. Pt. N	Type	<div style="display: flex; justify-content: space-between; align-items: center;"> <div style="transform: rotate(-45deg); font-size: small;"> MIRA COMFORT 24 CF MIRA COMFORT 24 FF MIRA COMFORT 30 FF </div> <div style="border: 1px solid black; padding: 2px;">31</div> </div>																	
				1	2	3	4	5	6	7	8	9	10	11	12	13	14	15	16	17	18
0600	ELECTRICAL BOX																				
0606	BASE PLATE	60000222		•	•	•															
0607	IGNITER	61002105-20		•	•	•												10/06			
0608	IGNITOR CABLE	60000173		•	•	•															
0611	WIRE ASSEMBLY	60000236		•														10/06			
	WIRE ASSEMBLY	60000246			•	•												10/06			
	WIRE ASSEMBLY	60000556		•														11/06			
	WIRE ASSEMBLY	60000557			•	•												11/06			
0612	CONNECTION STRIP	61002725		•	•	•															
0613	CABLE (P.C.B.)	60000179		•	•	•															
0614	ELECTRIC BOX PLATE	61314330		•	•	•															
0615	PRINTED CIRCUIT BOARD	60000247		•	•	•												10/06			
	PRINTED CIRCUIT BOARD	60000485		•	•	•												11/06			
0616	PRINTED CIRCUIT BOARD (DISPLAY)	60000486		•	•	•															
0617	ELECTRICAL BOX COVER	61313986		•	•	•															
0619	DEFLECTOR	61315219		•	•	•															
0627	FUSE 250V 0.315A - TEMPORIZED	61307845		•	•	•															
	FUSE 250V 1.25A - TEMPORIZED	61003635		•	•	•															
	FUSE 250V 2A - TEMPORIZED	61003456		•	•	•															
0628	DOOR ASSY	61314431		•	•	•															
0632	CLOSURE PLATE	61304599		•	•	•															
0638	CABLE THREE WAY VALVE	61312615		•	•	•															
0644	CONNECTING TERMINAL	61308032		•	•	•															
0649	PRESSURE GAUGE	60000816		•	•	•												05/05			
	PRESSURE GAUGE	61313561		•	•	•												04/05			
0650	WHITE KNOB	61312930		•	•	•															
0651	SERIGRAPHED STRIP	60000238		•	•	•															
0900	JIG PLATE & PIPE FITTING																				
0943	FITTING KIT	60000239		•																	
	FITTING KIT	60000248			•	•															
5000	ACCESSORIES																				
5001	CONVERSION KIT NAT > LPG	60000275		•														10/06			
	CONVERSION KIT NAT > LPG	60000276			•	•												10/06			
	CONVERSION KIT NAT > LPG	60000666		•														11/06			
	CONVERSION KIT NAT > LPG	60000667			•	•												11/06			
5002	CONVERSION KIT LPG > NAT	60000655		•														11/06			
	CONVERSION KIT LPG > NAT	60000656			•													11/06			
	CONVERSION KIT LPG > NAT	60000657				•												11/06			
5004	BURNER JET FULL KIT (LPG)	60000458		•																	
	CONVERSION KIT GZ410	60000459			•																
	CONVERSION KIT GZ410	60000460				•															

LIST OF THE ABBREVIATIONS

HW	: Hot water.
CW	: Cold water.
C	: Ceramic resistance (normal heating).
Ca	: Ceramic resistance (accelerated heating)
TP	: Immersion heater.
1F	: With fittings.
2F	: Without fittings.
3F	: With fittings and another outlet connection.
AMI	: With mixing valve.
SMI	: Without mixing valve.
PUISS	: Power of th appliance.
PN	: Appliance with normal pression.
LP	: Appliance with low pression.
PV	: Appliance with variable power.
PF	: Appliance with fixed power.

IDENTIFICATION PLATE

SERIAL NUMBER

10 Characters :	04 05 125 011		
		Sequential number	
		Manufacturing day	
		Year of manufacture	
11 Characters :	1 95 065004 - 31		
Month of manufacture :		Technical number of the appliance	
from 1 to 9 → Jan. to Sep.,		Sequential number	
O → Oct., N → Nov.,		Year of manufacture	
D → Dec.			
19 Characters :	08 05 0013199 900640031		
Year of manufacture		Product reference	
Month of manufacture		Sequential number	
20 Characters :	3675007 XX 2 07 070 00315		
Product reference		Sequential number	
Millenium of manufacture		Manufacturing day	
		Year of manufacture	
21 Characters :	3675007 XX 07 070 0000315		
Product reference		Sequential number	
Year of manufacture		Manufacturing day	