



SPARE PARTS EXPLODED VIEW
STORAGE ELECTRIC WATER HEATERS

Model

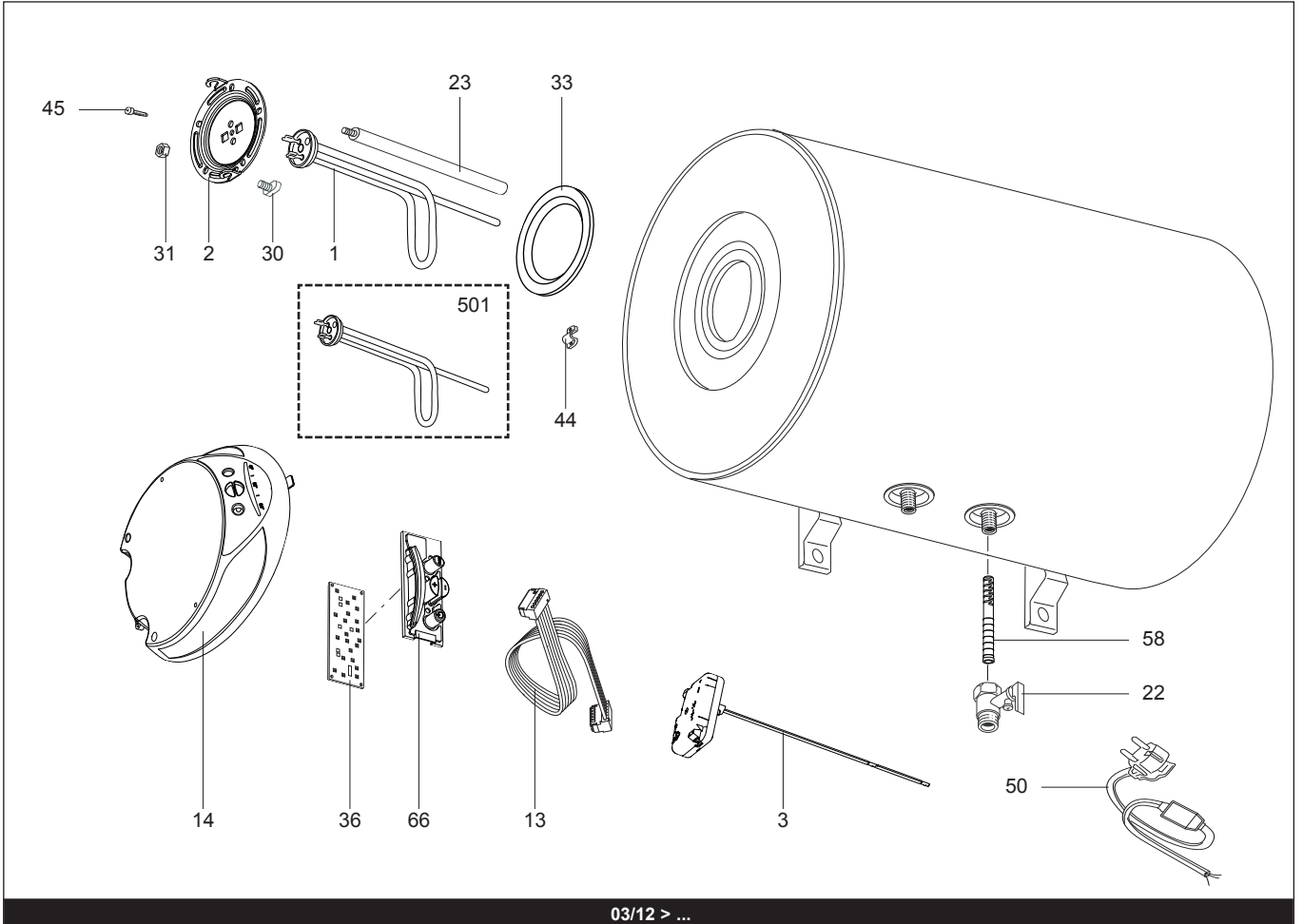
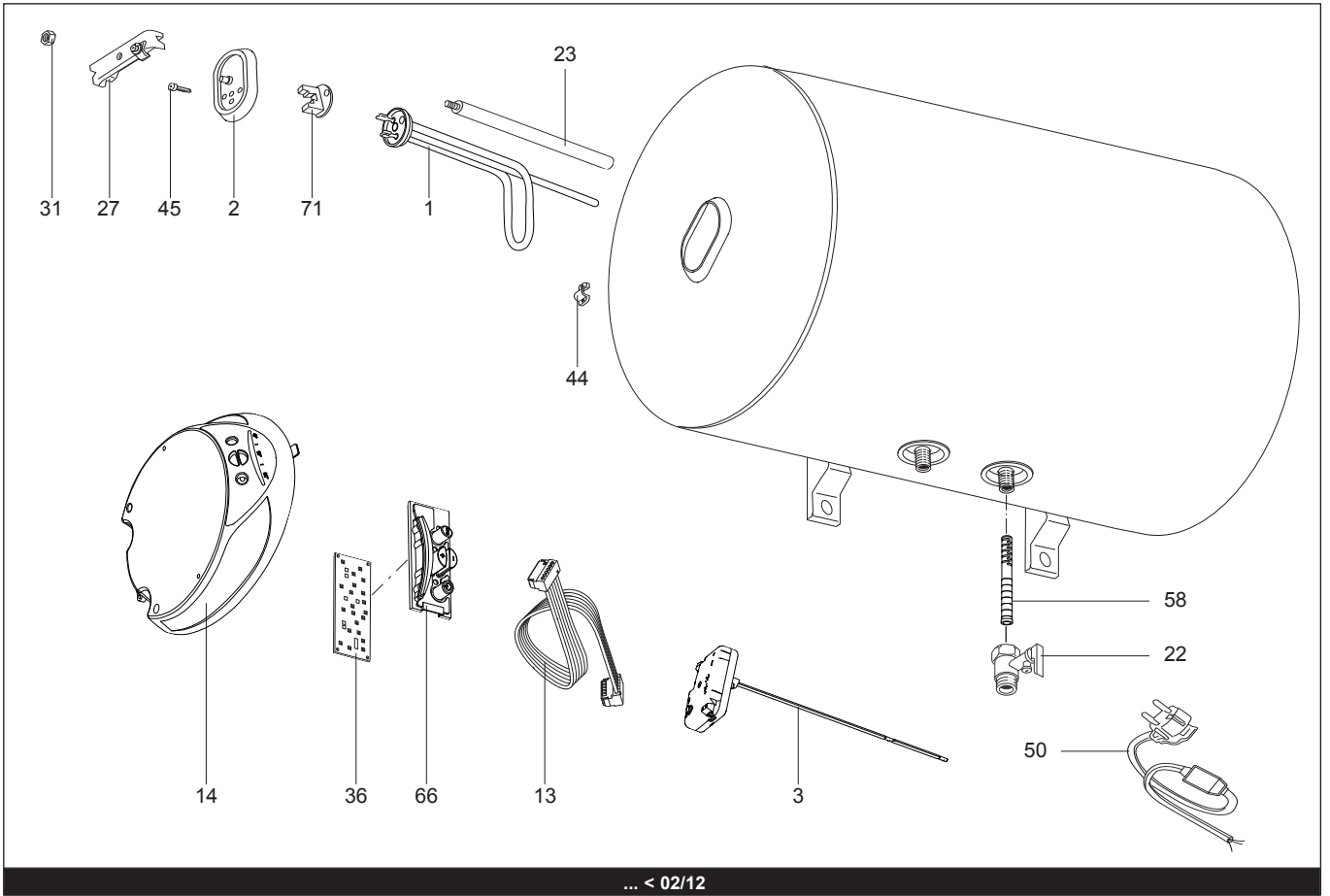
ABS PRO ECO H

R8216298-06 - 26/03/2014

ABS PRO ECO H

Storage Electric Water Heaters

1	3700170	ABS PRO ECO 80 H	10-2008	06-2013
2	3700171	ABS PRO ECO 100 H	02-2009	02-2013
Col	Reference	Model type	Begin	End



☰	Description	Manf. Pt. N	Type	80 100 31																		
				1	2	3	4	5	6	7	8	9	10	11	12	13	14	15	16	17	18	From
0001	НАГРЕВАТЕЛЬНЫЙ ЭЛЕМЕНТ 1500W 220-240V	65100746		●	●																	02/12
	НАГРЕВАТЕЛЬНЫЙ ЭЛЕМЕНТ 1500W 228V	65111871		●	●																03/12	
0002	ФЛАНЕЦ НА 5 БОЛТАХ	65111789		●	●																03/12	
	ФЛАНЕЦ С ПРОКЛАДКОЙ	65108275		●	●																	02/12
0003	ЭЛЕКТРОННЫЙ ТЕРМОСТАТ	65108565		●	●																	02/12
	ЭЛЕКТРОННЫЙ ТЕРМОСТАТ	65111947		●	●																03/12	
0013	КАБЕЛЬ ДИСПЛЕЯ	65109619		●	●																	
0014	КРЫШКА ПЛАСТИКОВАЯ	65180032		●	●																	
0022	ПРЕДОХРАНИТЕЛЬНЫЙ КЛАПАН (1/2" 7 БАР)	65109003		●	●																	02/12
	ПРЕДОХРАНИТЕЛЬНЫЙ КЛАПАН (1/2" 8,5 БАР)	571730		●	●																03/12	
0023	МАГНИЕВЫЙ АНОД D:25,5 L:230 M5-M8	993014-01		●	●																	
0027	СКОБА ФЛАНЦА	993011		●	●																	02/12
0030	ВИНТ M6X20	65151225		●	●																03/12	
0031	ГАЙКА M6	994140		●	●																03/12	
	ГАЙКА M8	570127		●	●																	02/12
0033	ПРОКЛАДКА ФЛАНЦА	65111788		●	●																03/12	
0036	ПЛАТА ДИСПЛЕЯ	65108273		●	●																	
0044	ЗАЖИМ ДЛЯ КАБЕЛЯ	573266		●	●																	
0045	ВИНТ M6X12	993000		●	●																	
0050	КАБЕЛЬ ПИТАНИЯ С УЗО	65150868		●	●																	
0058	РАССЕКАТЕЛЬ ВОДЫ (1/2" H=37)	65110979		●	●																	
0066	КНОПКИ УПРАВЛЕНИЯ	65108578		●	●																	
0071	ИЗОЛЯТОР КЛЕММ ТЭНА (NEUTRAL)	993010		●	●																	02/12
0500	АКСЕССУАРЫ																					
0501	НАГРЕВАТЕЛЬНЫЙ ЭЛЕМЕНТ 1500W 220-240V	65114099		●	●																03/12	

LIST OF THE ABBREVIATIONS

HW	: Hot water.
CW	: Cold water.
C	: Ceramic resistance (normal heating).
Ca	: Ceramic resistance (accelerated heating)
TP	: Immersion heater.
1F	: With fittings.
2F	: Without fittings.
3F	: With fittings and another outlet connection.
AMI	: With mixing valve.
SMI	: Without mixing valve.
PUISS	: Power of th appliance.
PN	: Appliance with normal pression.
LP	: Appliance with low pression.
PV	: Appliance with variable power.
PF	: Appliance with fixed power.

IDENTIFICATION PLATE

SERIAL NUMBER

6 Characters :
 Year of manufacture 03 09 08 Manufacturing day
 Month of manufacture

9 Characters :
 Year of manufacture M 12 10 0606 Sequential number
 Month of manufacture

14 Characters :
 SI-V-0B0 45 07 0001
 Sequential number
 Year of manufacture : 6 → 2004
 Month of manufacture : → 25 → January 43 → July 7 → 2005
 13 → February 29 → August 8 → 2006
 32 → March 40 → September etc ...
 35 → April 38 → October
 39 → May 51 → November
 45 → June 12 → December

15 Characters :
 Year of manufacture 02 11 00001 007843 Code appareil
 Month of manufacture Sequential number

21 Characters :
 Product reference 3200050 XX 08115 0000001
 Sequential number
 Year (08) / Manufacturing day (115)

22 Characters :
 Product reference 3200050 XX 070115 0000001
 Sequential number
 Year (07) / Month (01) / Manufacturing day (15)

The indications mentioned on the prices, commercial or technical literature and the scheme are written for your guidance and are available at a given time. The CONSTRUCTOR retains the power to modify the presentation, the form, the size, the conception or the material of the products.