

SPARE PARTS EXPLODED VIEW  
 GAS-WALL CONDENSING BOILERS  
 Model  
**TALIA GREEN SYSTEM EVO HP/EU**

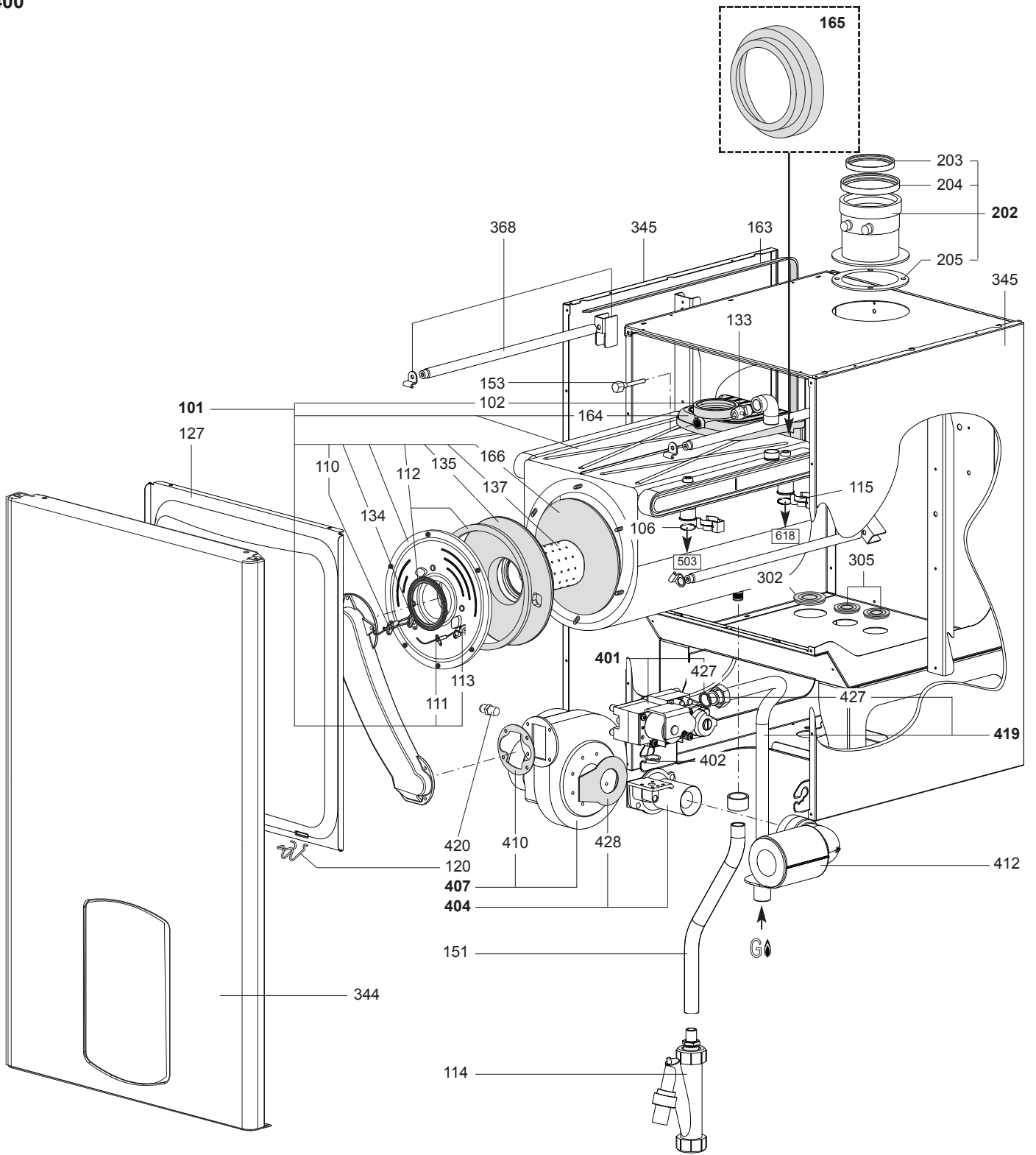
R8203398-04 - 10/11/2020

1	3581421	TALIA GREEN SYSTEM EVO HP 45KW	07-2013	10-2015
2	3581422	TALIA GREEN SYSTEM EVO HP 65KW	07-2013	10-2015
3	3581423	TALIA GREEN SYSTEM EVO HP 85KW	07-2013	09-2015
4	3581424	TALIA GREEN SYSTEM EVO HP 100KW	07-2013	09-2015
5	3581425	TALIA GREEN SYSTEM EVO HP 115KW	07-2013	09-2015
6	3581426	TALIA GREEN SYSTEM EVO HP 150KW	07-2013	09-2015
7	3581570	TALIA GREEN SYSTEM EVO HP 45KW EU	11-2015	-
8	3581571	TALIA GREEN SYSTEM EVO HP 65KW EU	11-2015	-
9	3581572	TALIA GREEN SYSTEM EVO HP 85KW EU	11-2015	-
10	3581573	TALIA GREEN SYSTEM EVO HP 100KW EU	11-2015	-
11	3581574	TALIA GREEN SYSTEM EVO HP 115KW EU	11-2015	-
12	3581575	TALIA GREEN SYSTEM EVO HP 150KW EU	11-2015	-
Col	Reference	Model type	Begin	End

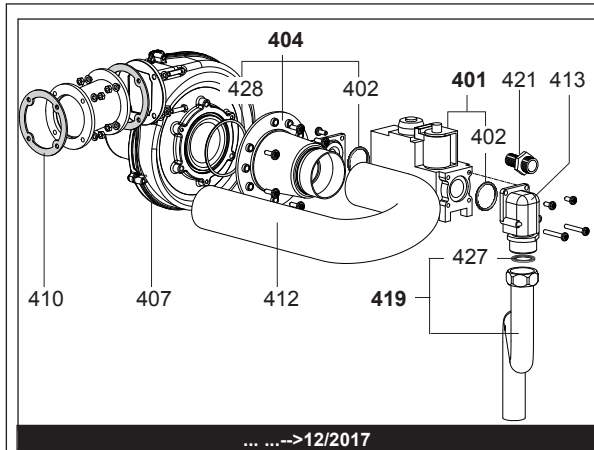
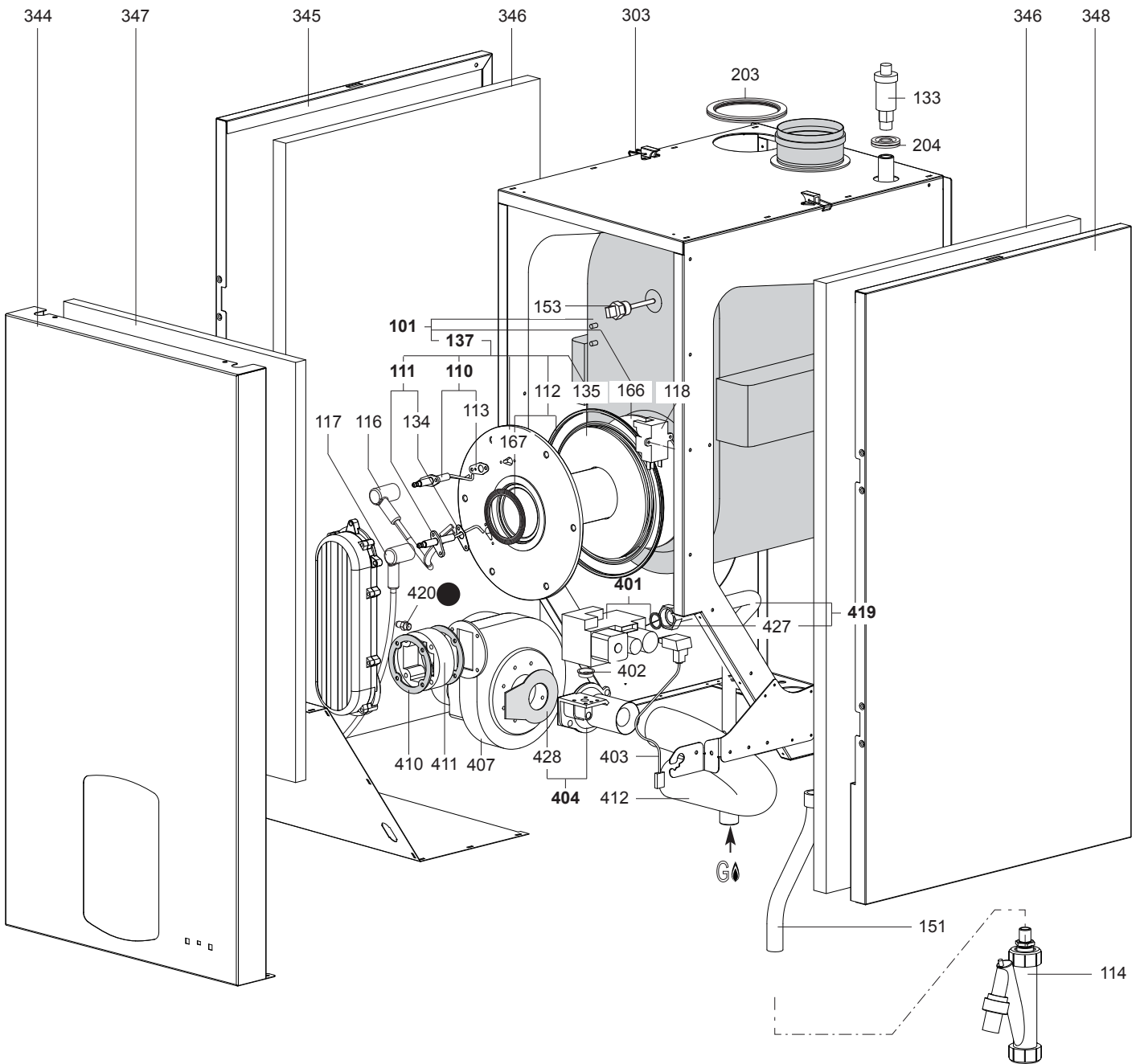
100  
200  
300  
400

TALIA GREEN SYSTEM EVO HP/EU

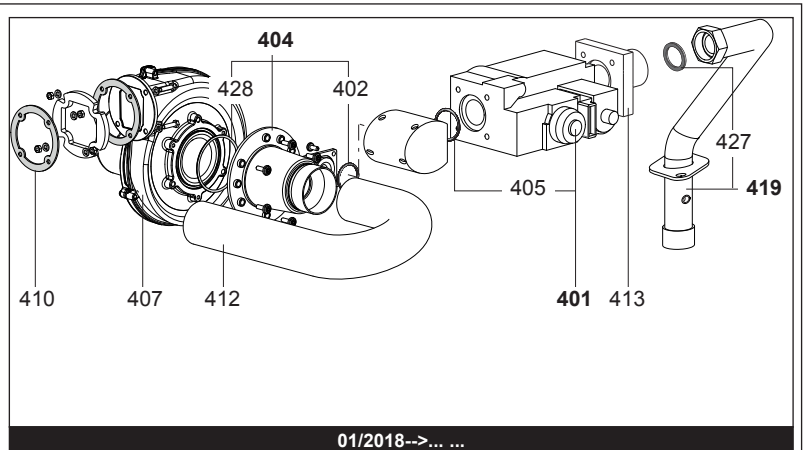
Gas-wall condensing boilers





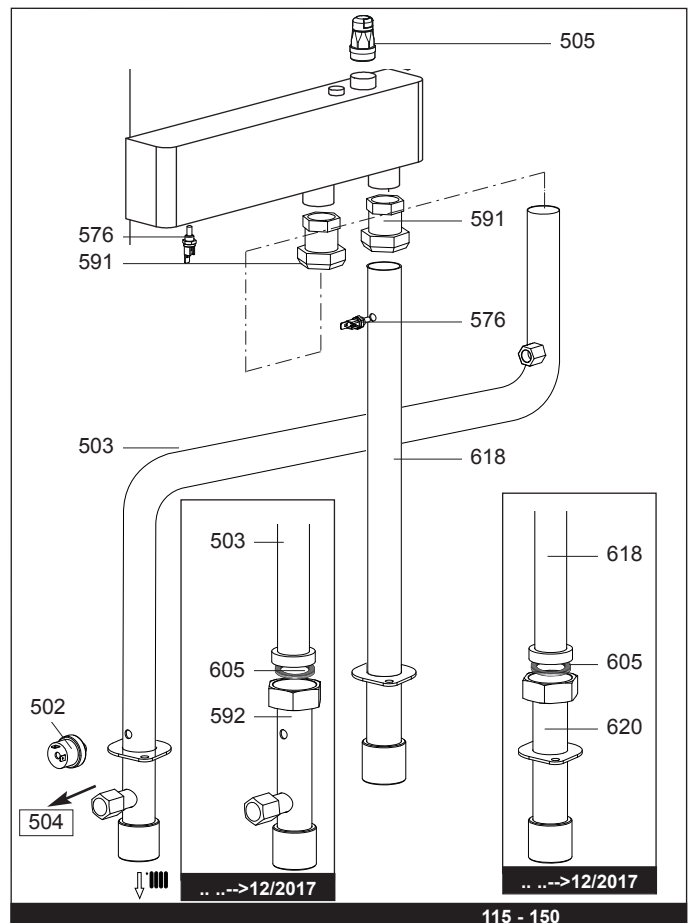
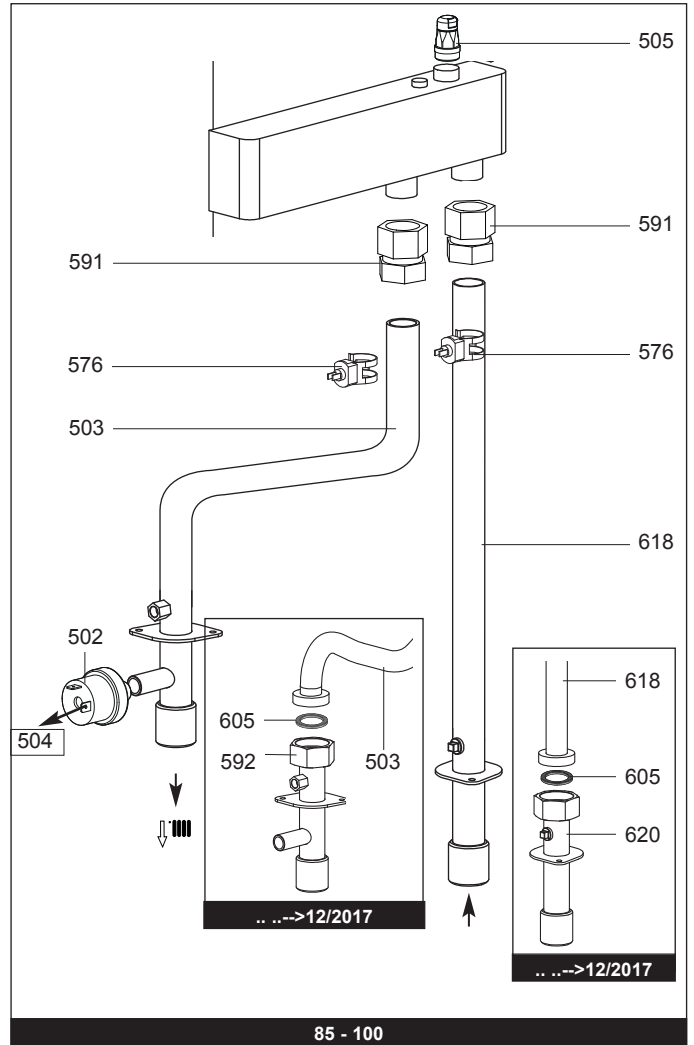
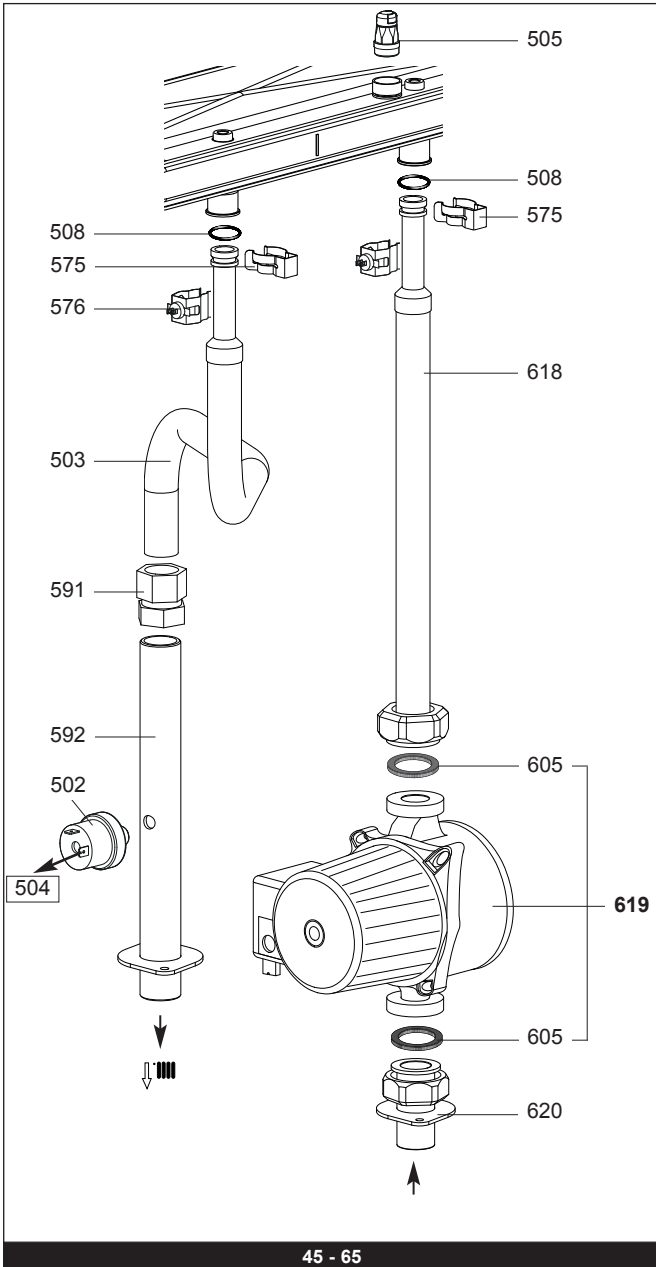


... ..->12/2017

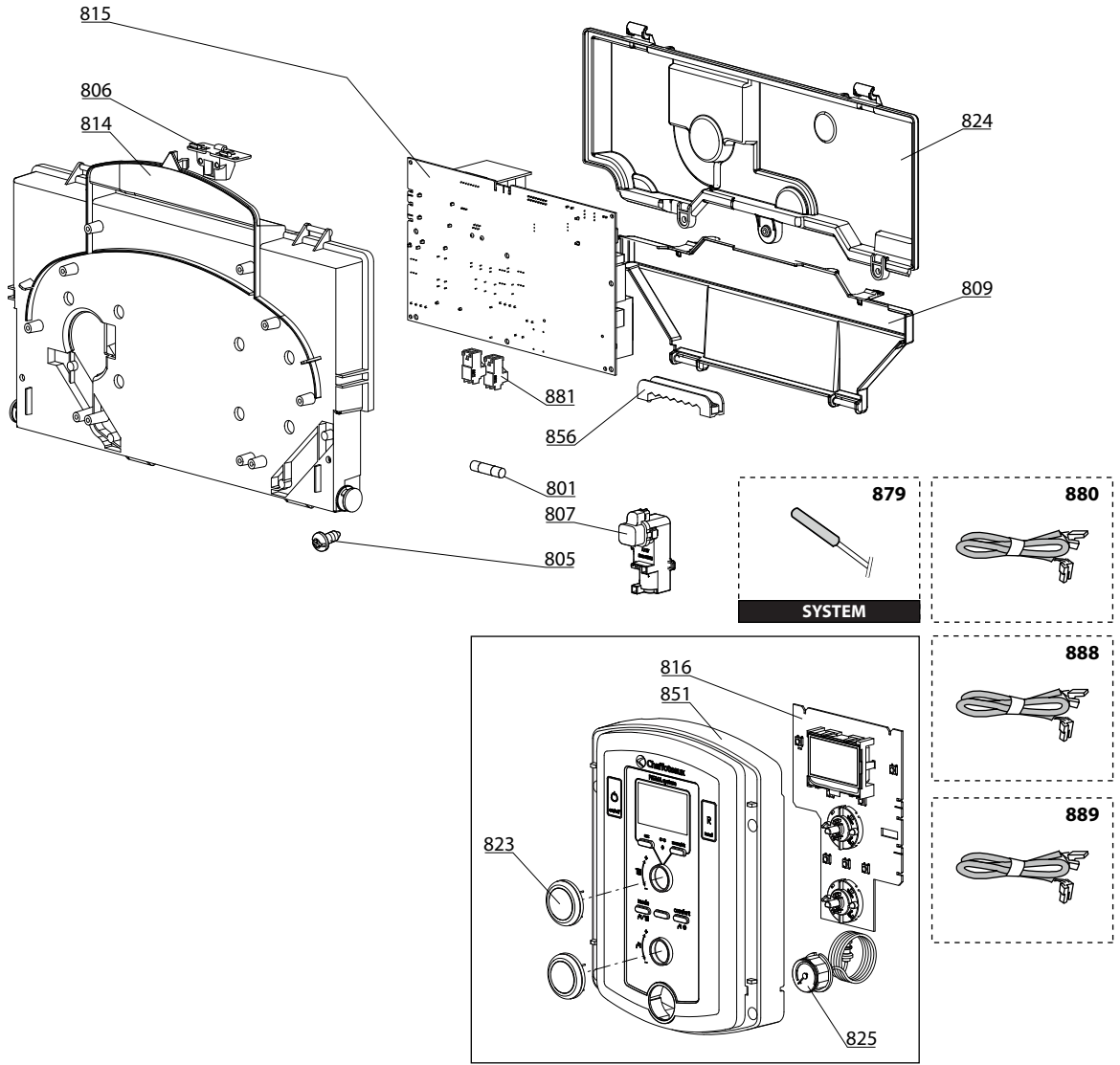


01/2018-->... ..

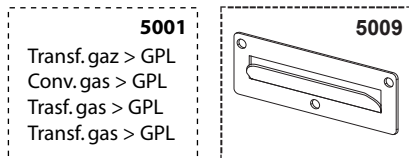




Description	Manf. Pt. N	Type																			From	to
			1	2	3	4	5	6	7	8	9	10	11	12	13	14	15	16	17	18		
0502	PRESSURE SWITCH	64202146																				
0503	PIPE (C.H. FLOW) 100 KW	64203258																		01/18		
	PIPE (C.H. FLOW) 100Kw	64202195																			12/17	
	PIPE (C.H. FLOW) 115-150 KW	64203260																		01/18		
	PIPE (C.H. FLOW) 115-150Kw	64202196																			12/17	
	PIPE (C.H. FLOW) 45Kw	65107354																				
	PIPE (C.H. FLOW) 65KW	65107358																				
	PIPE (C.H. FLOW) 85 KW	64203256																		01/18		
	PIPE (C.H. FLOW) 85Kw	64202194																			12/17	
0505	FILL/DRAIN VALVE 1/2" GENUS HP 45-65	65107343																				
0508	O-RING 39.45X1.78	65107364																				
0575	CLIP	65107379																				
0576	TEMPERATURE PROBE + CLIP	64201656																				
	TEMPERATURE PROBE + CLIP	64202192																				
	TEMPERATURE PROBE + CLIP	990686-01																				
0591	CONNECTION 28MMx1" INS GALVANISED	64201314																				
	CONNECTION 28MMx1" INS GALVANISED	64201314																		01/18		
	STRAIGHT COUPLING 35mm 1"	64202200																			12/17	
0592	FLOW CONNECTION	65107353																				
	FLOW CONNECTION	64201661																			12/17	
	FLOW CONNECTION	64202198																			12/17	
0605	GASKET 1 1/2 in 44x32	12013460																				
	GASKET NEOPR. D: 44-32-2 TRIGON L	64202163																				
0618	PIPE (C.H. RETURN)	64200249																			12/17	
	PIPE (C.H. RETURN)	64202193																			12/17	
	PIPE (C.H. RETURN)	65107355																				
	PIPE (C.H. RETURN) 115-150 KW	64203259																		01/18		
	PIPE (C.H. RETURN) 85-100 KW	64203257																		01/18		
0619	PUMP WILO STRATOS PARA 25/1-9 PWM	64202621																				
	PUMP WILO YONOS PARA 25/7,5 PWM	64202620																				
0620	PIPE (C.H. RETURN)	65107356																				
	PIPE (C.H. RETURN)	64202197																			12/17	
	PIPE (C.H. RETURN)	64201660																			12/17	



5000





☞	Description	Manf. Pt. N	Type	<div style="display: flex; justify-content: space-between;"> <span>TALIA EVO HP 45</span> <span>TALIA EVO HP 85</span> <span>TALIA EVO HP 85</span> <span>TALIA EVO HP 85</span> <span>TALIA EVO HP 100</span> <span>TALIA EVO HP 115</span> <span>TALIA EVO HP 150</span> <span>TALIA EVO HP 45 EU</span> <span>TALIA EVO HP 85 EU</span> <span>TALIA EVO HP 85 EU</span> <span>TALIA EVO HP 100 EU</span> <span>TALIA EVO HP 115 EU</span> <span>TALIA EVO HP 150 EU</span> </div>																		From	to
				1	2	3	4	5	6	7	8	9	10	11	12	13	14	15	16	17	18		
0801	FUSE 250V 2A	61003456		•	•	•	•	•	•	•	•	•	•	•	•	•	•	•	•				
0805	TAPPING SCREW TCBL D:4 L:10	61020509		•	•	•	•	•	•	•	•	•	•	•	•	•	•	•	•				
0806	PUSH	65104228		•	•	•	•	•	•	•	•	•	•	•	•	•	•	•	•				
0807	TRANSFORMER ZAG2 10Va	64201912		•	•	•	•	•	•	•	•	•	•	•	•	•	•	•	•				
0809	INSPECTION COVER	60001618		•	•	•	•	•	•	•	•	•	•	•	•	•	•	•	•				
0814	CONTROL PANEL COVER (FRONT)	60001616-01		•	•	•	•	•	•	•	•	•	•	•	•	•	•	•	•				
0815	P.C.B. (MAIN)	65113369		•	•	•	•	•	•	•	•	•	•	•	•	•	•	•	•				
0816	P.C.B. (DISPLAY)	60001906-02		•	•	•	•	•	•	•	•	•	•	•	•	•	•	•	•				
	P.C.B. (DISPLAY)	65111882-02								•													
0822	PUSH (CASE DOOR)	65100676							•														
0823	KNOB	60001932		•	•	•	•	•	•	•	•	•	•	•	•	•	•	•	•				
	KNOB	65111927							•														
0824	CONTROL PANEL COVER (REAR)	60001617		•	•	•	•	•	•	•	•	•	•	•	•	•	•	•	•				
0825	PRESSURE GAUGE 3Bars L:1000	60002215		•	•					•													
	PRESSURE GAUGE 4Bars L:1000	60002222							•														
	PRESSURE GAUGE 6Bars L:1000	60002216				•	•	•	•			•	•	•	•	•	•	•	•				
0851	FRONT CONTROL PANEL COMPLETE	60001909		•	•	•	•	•	•	•	•	•	•	•	•	•	•	•	•				
	FRONT CONTROL PANEL COMPLETE	60002224							•														
0856	CABLE CLAMP	65103377		•	•	•	•	•	•	•	•	•	•	•	•	•	•	•	•				
0858	CABLE PWM PUMP	65115552	PARA	•	•					•	•												
0879	BOILER THERMISTOR TEMP. SENSOR	60000454		•	•	•	•	•	•	•	•	•	•	•	•	•	•	•	•				
0880	CABLE (GAS VALVE)	64202190							•	•								•	•				
	CABLE (GAS VALVE)	65107360		•	•	•	•			•	•	•	•	•	•	•	•	•	•				
	CABLE (IGNITION ELECTRODE)	64201658					•	•	•					•	•	•	•	•	•				
	CABLE (IONIZATION ELECTRODE)	64201657					•	•	•					•	•	•	•	•	•				
	CABLE (PUMP)	65115551	PARA	•	•					•	•												
	DISPLAY WIRING - 5 WIRES BLUES	60000746		•	•	•	•	•	•	•	•	•	•	•	•	•	•	•	•				
	EARTH CABLE (SPARK GENERATOR)	65107361		•	•					•	•												
	INTERCONNECTION CABLE - 3 WIRES	60001884								•													
	CABLE (PUMP)	60002214	RGS	•	•																		
0881	CONNECTOR 2P	65111933		•	•	•	•	•	•	•	•	•	•	•	•	•	•	•	•				
	CONNECTOR 3P (x5)	65111934-01		•	•	•	•	•	•	•	•	•	•	•	•	•	•	•	•				
0888	NTC - OVERHEAT - PRESSURE SENSOR CABLE	60002213		•	•					•	•												
	NTC - OVERHEAT - PRESSURE SENSOR CABLE	60002220				•	•						•	•									
	NTC - OVERHEAT - PRESSURE SENSOR CABLE	60002221						•	•										•				
0889	FAN-GAS VALVE CABLE (230V)	60002212		•						•									•				
	FAN-GAS VALVE CABLE (230V)	60002217			•						•												
	FAN-GAS VALVE CABLE (230V)	60002218				•	•					•	•										
	FAN-GAS VALVE CABLE (230V)	60002219						•	•										•				
5001	CONVERSION KIT > LPG	64201566		•	•					•	•												
	CONVERSION KIT > LPG 100 KW	64202966					•						•										
	CONVERSION KIT > LPG 115-150 KW	64202967						•	•										•				
	CONVERSION KIT > LPG 85 KW	64202965				•						•											
5009	WALL MOUNT BRACKET GENUS HP 85-150	64202950				•	•	•	•			•	•	•	•								
	WALL MOUNT BRACKET GENUS HP 45-65	64202949		•	•						•	•											

## LIST OF THE ABBREVIATIONS

HW .....	: Hot water.
CW .....	: Cold water.
C .....	: Ceramic resistance (normal heating).
Ca .....	: Ceramic resistance (accelerated heating)
TP .....	: Immersion heater.
1F .....	: With fittings.
2F .....	: Without fittings.
3F .....	: With fittings and another outlet connection.
AMI .....	: With mixing valve.
SMI .....	: Without mixing valve.
PUISS .....	: Power of th appliance.
PN .....	: Appliance with normal pression.
LP .....	: Appliance with low pression.
PV .....	: Appliance with variable power.
PF .....	: Appliance with fixed power.

## IDENTIFICATION PLATE

### SERIAL NUMBER

<b>10 Characters :</b>	04 05 125 011	Sequential number
		Manufacturing day
		Year of manufacture
<b>11 Characters :</b>	1 95 065004 - 31	Technical number of the appliance
Month of manufacture :		Sequential number
from 1 to 9 → Jan. to Sep.,		Year of manufacture
O → Oct., N → Nov.,		
D → Dec.		
<b>19 Characters :</b>	08 05 0013199 900640031	Product reference
Year of manufacture		Sequential number
Month of manufacture		
<b>20 Characters :</b>	3675007 XX 2 07 070 00315	Sequential number
Product reference		Manufacturing day
Millenium of manufacture		Year of manufacture
<b>21 Characters :</b>	3675007 XX 07 070 0000315	Sequential number
Product reference		Manufacturing day
Year of manufacture		