



SPARE PARTS EXPLODED VIEW
STORAGE ELECTRIC WATER HEATERS

Model

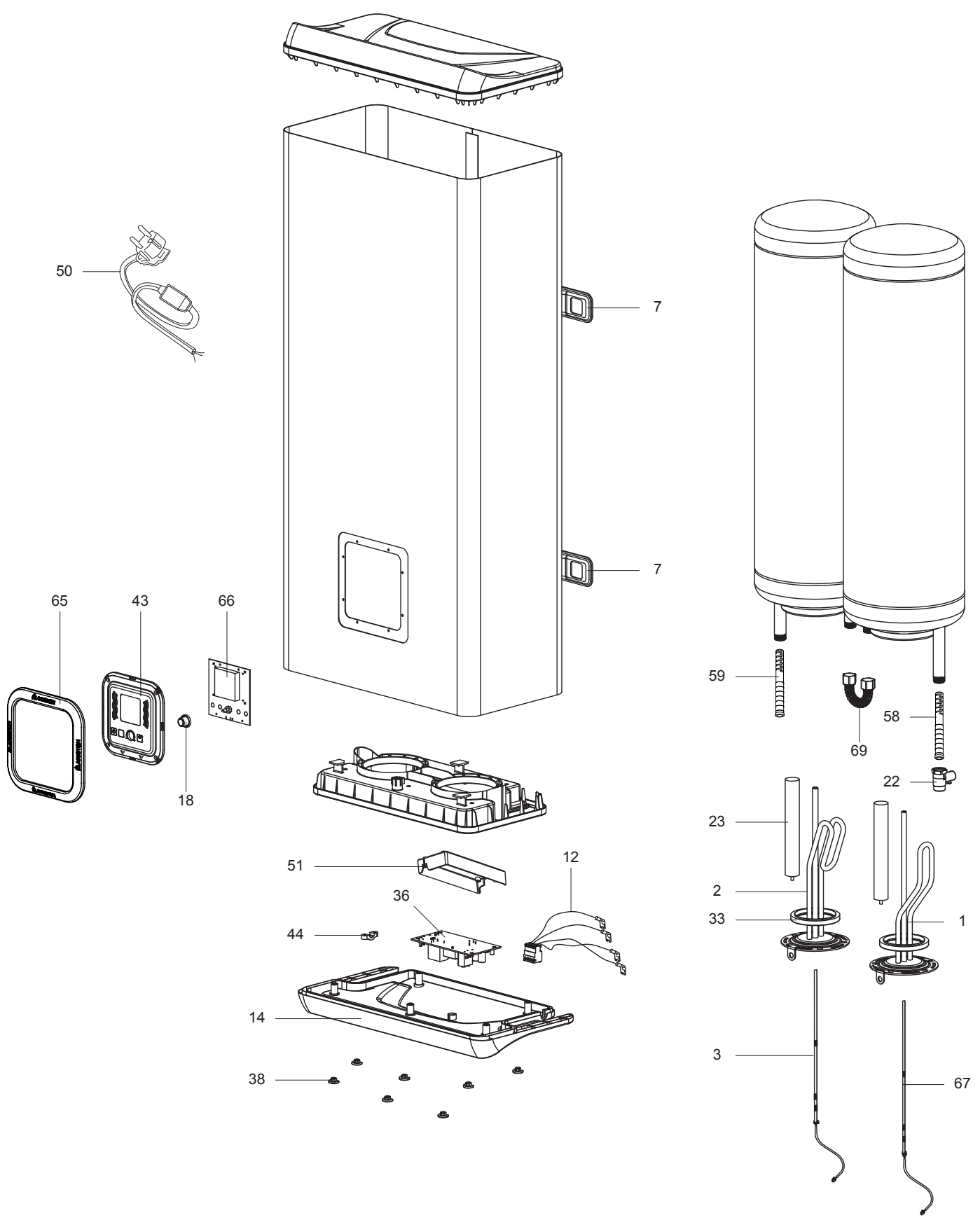
ABS VLS PLUS PW

R8216800-05 - 05/03/2014

ABS VLS PLUS PW

Storage Electric Water Heaters

1	3605492	ABS VLS PLUS PW 30	02-2010	-
2	3605493	ABS VLS PLUS PW 50	02-2010	-
3	3605494	ABS VLS PLUS PW 80	02-2010	-
4	3605495	ABS VLS PLUS PW 100	02-2010	-
Col	Reference	Model type	Begin	End



☉➔	Description	Manf. Pt. N	Type																From	to					
				1	2	3	4	5	6	7	8	9	10	11	12	13	14	15			16	17	18		
0001	НАГРЕВАТЕЛЬНЫЙ ЭЛЕМЕНТ 1000W 230V	65152105		•	•	•	•																		
0002	НАГРЕВАТЕЛЬНЫЙ ЭЛЕМЕНТ 1500W 230V	65152106		•	•	•	•																		
0003	ДАТЧИК ТЕМПЕРАТУРЫ (OUTLET TANK)	65151229		•	•	•	•																		
0007	КРОНШТЕЙН	65151898		•	•	•	•																		
0012	КАБЕЛЬ (НАГР. ЭЛЕМЕНТ/ОСНОВНАЯ ПЛАТА)	65151231		•	•	•	•																		
0014	КРЫШКА ПЛАСТИКОВАЯ НИЖНЯЯ	65151704		•	•	•	•																		
0018	РУЧКА РЕГУЛИРОВКИ	65151246		•	•	•	•																		
0022	ПРЕДОХРАНИТЕЛЬНЫЙ КЛАПАН (1/2" 8 БАР)	65151706		•	•	•	•																		
0023	МАГНИЕВЫЙ АНОД D:22 L:110 M5	65151186		•	•																				
	МАГНИЕВЫЙ АНОД D:25,5 L:180 M5	977127-CN					•	•																	
0033	ПРОКЛАДКА ФЛАНЦА	65150952		•	•	•	•																		
0036	ОСНОВНАЯ ПЛАТА	65151230		•	•	•	•																		
0038	ЗАГЛУШКА	65151705		•	•	•	•																		
0043	ПАНЕЛЬ УПРАВЛЕНИЯ	65151245		•	•	•	•																		
0044	ЗАЖИМ ДЛЯ КАБЕЛЯ	573266-CN		•	•	•	•																		
0050	КАБЕЛЬ ПИТАНИЯ С УЗО	65150965		•	•	•	•																		
0051	КОРОБКА ОСНОВНОЙ ПЛАТЫ	65151447		•	•	•	•																		
0058	РАССЕКATEЛЬ ВОДЫ (1/2" H=159)	65152176		•	•	•	•																		
0059	РАССЕКATEЛЬ ВОДЫ (1/2" H=100)	65152177		•	•	•	•																		
0065	РАМКА ПАНЕЛИ УПРАВЛЕНИЯ (ПЕРЕДНЯЯ)	65151703		•	•	•	•																		
0066	ПЛАТА ДИСПЛЕЯ	65151247		•	•	•	•																		
0067	ДАТЧИК ТЕМПЕРАТУРЫ (INLET TANK)	65152258		•	•	•	•																		
0069	ТРУБКА СОЕДИНИТЕЛЬНАЯ	65151224		•	•	•	•																		

LIST OF THE ABBREVIATIONS

HW	: Hot water.
CW	: Cold water.
C	: Ceramic resistance (normal heating).
Ca	: Ceramic resistance (accelerated heating)
TP	: Immersion heater.
1F	: With fittings.
2F	: Without fittings.
3F	: With fittings and another outlet connection.
AMI	: With mixing valve.
SMI	: Without mixing valve.
PUISS	: Power of th appliance.
PN	: Appliance with normal pression.
LP	: Appliance with low pression.
PV	: Appliance with variable power.
PF	: Appliance with fixed power.

IDENTIFICATION PLATE

SERIAL NUMBER

6 Characters :
 Year of manufacture 03 09 08 Manufacturing day
 Month of manufacture

9 Characters :
 Year of manufacture M 12 10 0606 Sequential number
 Month of manufacture

14 Characters :
 SI-V-0B0 45 07 0001
 Sequential number
 Year of manufacture : → 6 → 2004
 Month of manufacture : → 25 → January 43 → July 7 → 2005
 13 → February 29 → August 8 → 2006
 32 → March 40 → September etc ...
 35 → April 38 → October
 39 → May 51 → November
 45 → June 12 → December

15 Characters :
 Year of manufacture 02 11 00001 007843 Code appareil
 Month of manufacture Sequential number

21 Characters :
 3200050 XX 08115 0000001 Sequential number
 Product reference Year (08) / Manufacturing day (115)

22 Characters :
 3200050 XX 070115 0000001 Sequential number
 Product reference Year (07) / Month (01) / Manufacturing day (15)

The indications mentioned on the prices, commercial or technical literature and the scheme are written for your guidance and are available at a given time. The CONSTRUCTOR retains the power to modify the presentation, the form, the size, the conception or the material of the products.