



# SPARE PARTS EXPLODED VIEW STORAGE ELECTRIC WATER HEATERS

Model

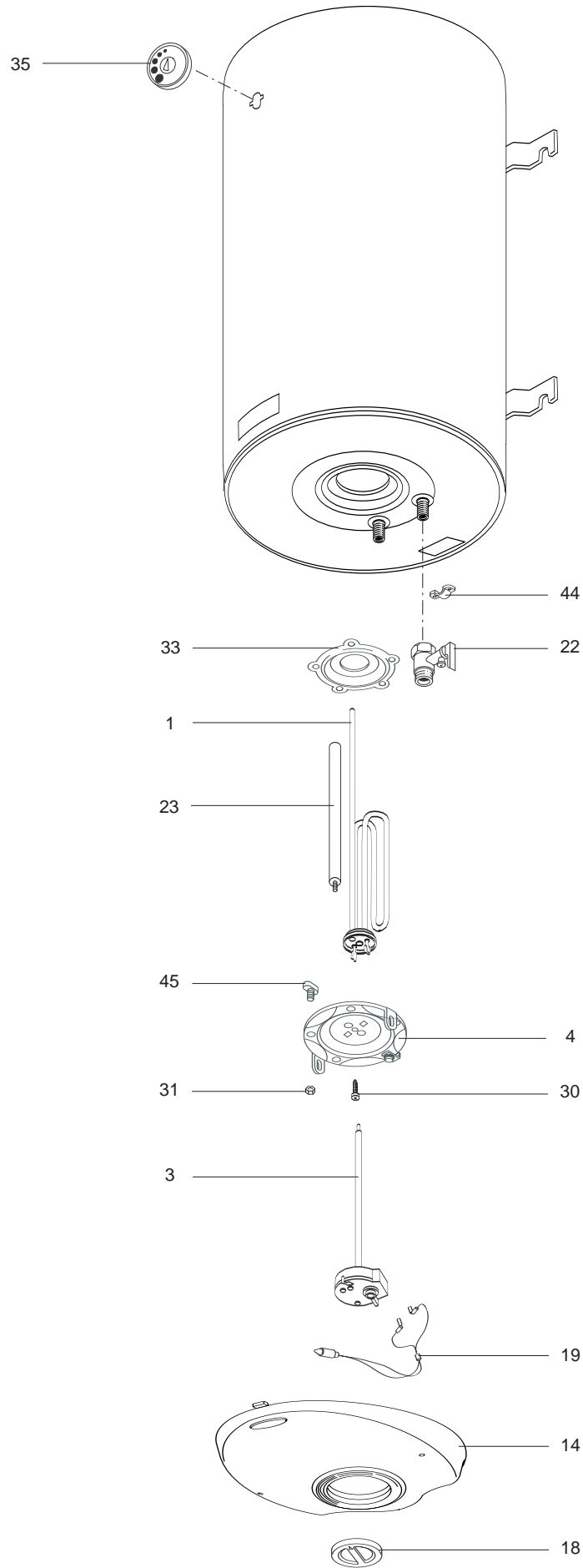
**TI**

R8215562-01EN - Edition 01 - 26/09/2006

TI

Storage Electric Water Heaters

| 869 378   |      | TI 50 R EE    | ...   | ... |
|-----------|------|---------------|-------|-----|
| 869 379   |      | TI 80 R EE    | ...   | ... |
| 869 380   |      | TI 100 R EE   | ...   | ... |
| 869 381   |      | TI 80 RTD EE  | ...   | ... |
| 869 382   |      | TI 80 RTS EE  | ...   | ... |
| 869 383   |      | TI 100 RTD EE | ...   | ... |
| 869 384   |      | TI 100 RTS EE | ...   | ... |
| Reference | Ind. | Model type    | Begin | End |





## LIST OF THE ABBREVIATIONS

|             |  |
|-------------|--|
| HW .....    | : Hot water.                                   |
| CW .....    | : Cold water.                                  |
| C .....     | : Ceramic resistance (normal heating).         |
| Ca .....    | : Ceramic resistance (accelerated heating)     |
| TP .....    | : Immersion heater.                            |
| 1F .....    | : With fittings.                               |
| 2F .....    | : Without fittings.                            |
| 3F .....    | : With fittings and another outlet connection. |
| AMI .....   | : With mixing valve.                           |
| SMI .....   | : Without mixing valve.                        |
| PUISS ..... | : Power of th appliance.                       |
| PN .....    | : Appliance with normal pression.              |
| LP .....    | : Appliance with low pression.                 |
| PV .....    | : Appliance with variable power.               |
| PF .....    | : Appliance with fixed power..                 |

## IDENTIFICATION PLATE

### SERIAL NUMBER

|                        |                                       |  |
|------------------------|---------------------------------------|--|
| <b>6 Characters :</b>  | _____ 03 09 08 _____                  | Manufacturing day<br>Month of manufacture                            |
| <b>9 Characters :</b>  | _____ 5 9 12 0606 _____               | Sequential number  |
| <b>15 Characters :</b> | _____ 02 11 00001 007843 _____        | Code appareil<br>Sequential number                                   |
| <b>21 Characters :</b> | _____ 3200050 XX 08115 0000001 _____  | Sequential number<br>Year (08) / Manufacturing day (115)             |
| <b>22 Characters :</b> | _____ 3200050 XX 070115 0000001 _____ | Sequential number<br>Year (07) / Month (01) / Manufacturing day (15) |

The indications mentioned on the prices, commercial or technical literature and the scheme are written for your guidance and are available at a given time. The CONSTRUCTOR retains the power to modify the presentation, the form, the size, the conception or the material of the products.