



ARISTON

SPARE PARTS EXPLODED VIEW GAS-WALL CONDENSING BOILERS

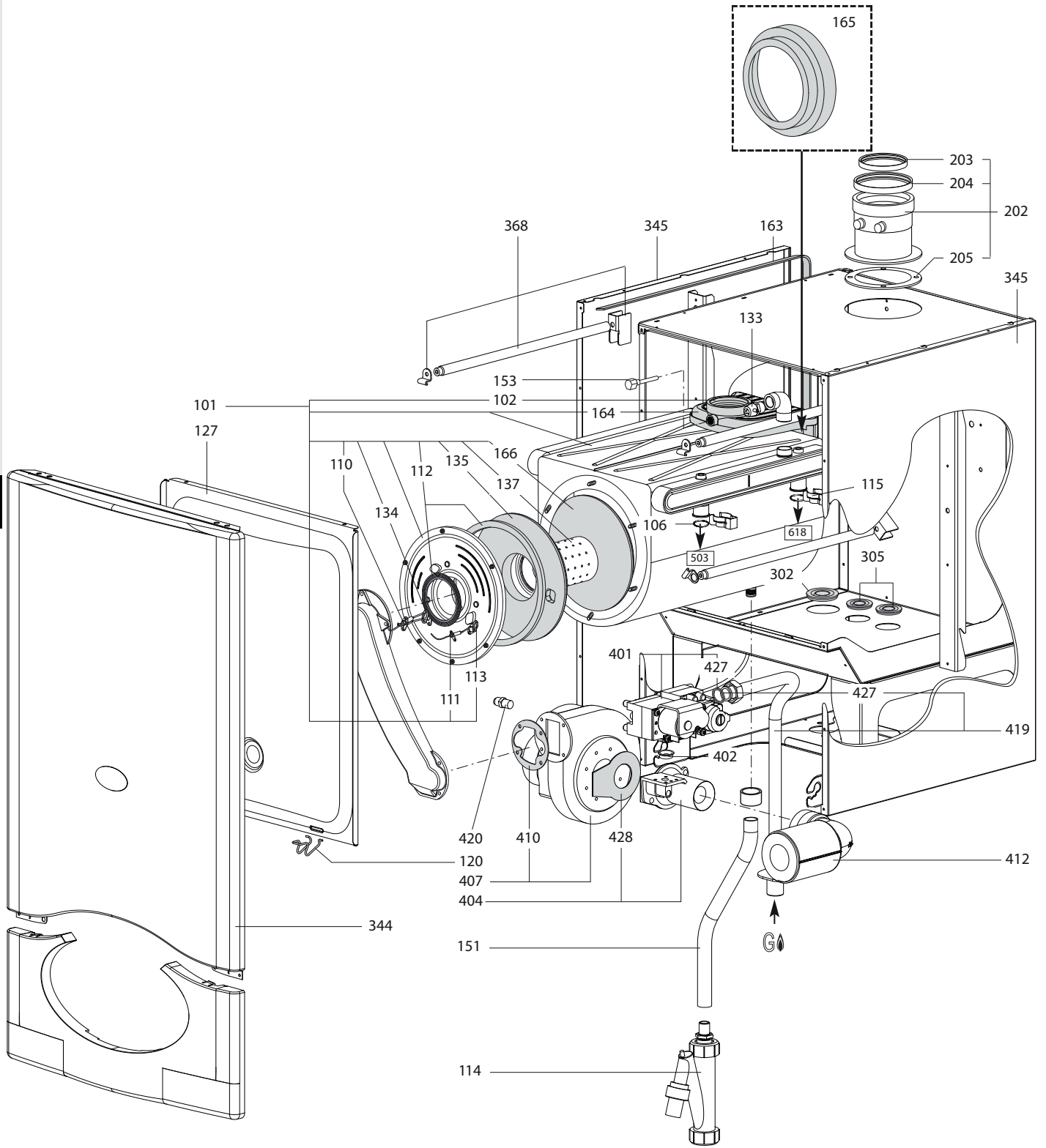
Model

GENUS PREMIUM EVO HP

R8203399-03 - 20/03/2018

1	3581415	GENUS PREMIUM EVO HP 45KW	07-2013	-
1	3581576	GENUS PREMIUM EVO HP 45KW CN	06-2015	-
2	3581416	GENUS PREMIUM EVO HP 65KW	07-2013	-
2	3581577	GENUS PREMIUM EVO HP 65KW CN	06-2015	-
3	3581417	GENUS PREMIUM EVO HP 85KW	07-2013	10-2015
3	3581578	GENUS PREMIUM EVO HP 85KW CN	06-2015	-
4	3581418	GENUS PREMIUM EVO HP 100KW	07-2013	10-2015
5	3581419	GENUS PREMIUM EVO HP 115KW	07-2013	10-2015
6	3581420	GENUS PREMIUM EVO HP 150KW	07-2013	10-2015
7	3581564	GENUS PREMIUM EVO HP 45KW EU	11-2015	-
8	3581565	GENUS PREMIUM EVO HP 65KW EU	11-2015	-
9	3581566	GENUS PREMIUM EVO HP 85KW EU	11-2015	-
10	3581567	GENUS PREMIUM EVO HP 100KW EU	11-2015	-
11	3581568	GENUS PREMIUM EVO HP 115KW EU	11-2015	-
12	3581569	GENUS PREMIUM EVO HP 150KW EU	11-2015	-

Col	Reference	Model type	Begin	End
-----	-----------	------------	-------	-----



GENUS EVO HP 45
 GENUS EVO HP 65
 GENUS EVO HP 85
 GENUS EVO HP 100
 GENUS EVO HP 115
 GENUS EVO HP 130
 GENUS EVO HP 45 EU
 GENUS EVO HP 65 EU
 GENUS EVO HP 85 EU
 GENUS EVO HP 100 EU
 GENUS EVO HP 115 EU
 GENUS EVO HP 130 EU

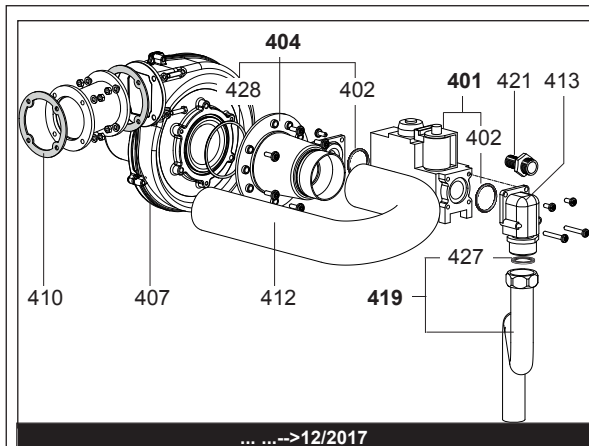
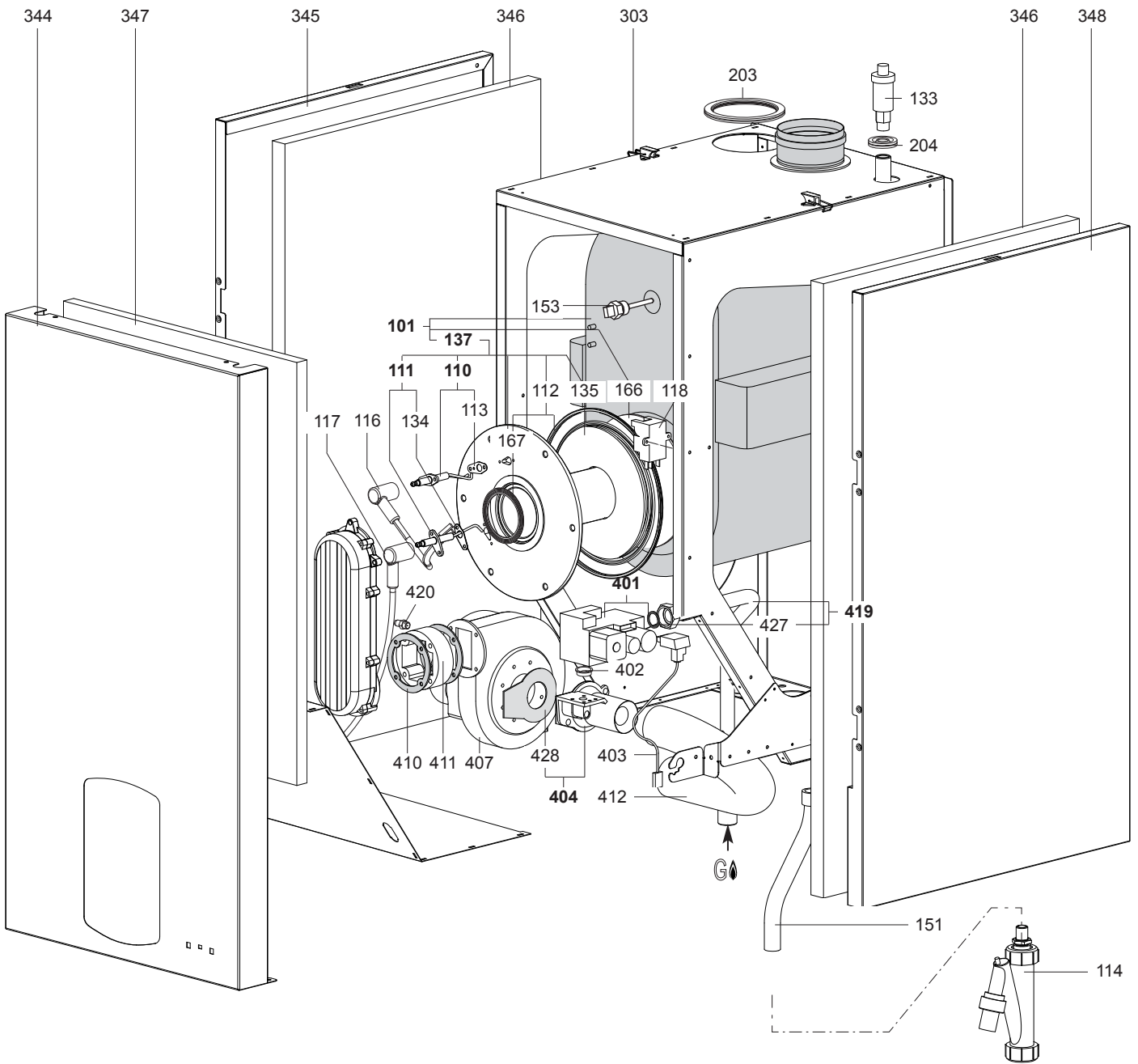
31

Description	Manf. Pt. N	Type	GENUS EVO HP/HP EU																		From	to
			1	2	3	4	5	6	7	8	9	10	11	12	13	14	15	16	17	18		
0100 BURNER ASSEMBLY																						
0101 HEAT EXCHANGER (45KW)	65107344		•							•												
HEAT EXCHANGER (65KW)	65107347			•							•											
0102 GASKET (/Heat exchanger)	64201775		•	•						•	•											
0106 O-RING 39.45X1.78	65107364		•	•						•	•	•										
0110 IGNITION ELECTRODE	61317432		•	•						•	•	•										
0111 IONISATION ELECTRODE GENUS HP 45-65	64202273		•	•						•	•	•										
0112 DOOR GASKET	60000672-01		•	•						•	•	•										
0113 GASKET (IONIZATION ELECTRODE)	65103476		•	•						•	•	•										
0114 TRAP	64201689		•	•						•	•	•										
0115 CLIP	65107379		•	•						•	•	•										
0120 SPRING FRONT PANEL (KIT)	65107048		•	•						•	•	•										
0127 PANEL (FRONT - SEALED CHAMBER)	65105679-02		•	•						•	•	•										
0133 FILL/DRAIN VALVE 1/2" GENUS HP 45-65	65107343		•	•						•	•	•										
0134 GASKET (IGNITION ELECTRODE)	65103367		•	•						•	•	•										
0135 PANEL (INSULATION)	64203129		•	•						•	•	•										
0137 BURNER 45Kw	65107367		•							•												
BURNER 65KW	65107368			•	•						•											
0151 DISCHARGE PIPE (CONDENSATE)	64202180		•	•						•	•	•										
0153 FLUE GAS SENSOR	65107342		•	•						•	•	•										
0163 GASKET 12X3X20000 mm NEOPR.	12016166		•	•						•	•	•										
0164 EXCHANGER SUPPORT	65107366		•	•						•	•	•										
0165 EXCHANGER GASKET	65107365		•	•						•	•	•										
0166 PANEL (INSULATION - REAR)	65103361		•	•						•	•	•										
0200 FAN ASSEMBLY																						
0202 ADAPTER 80/125	65107369		•	•						•	•	•										
0203 GASKET D:80	64201777		•	•						•	•	•										
0204 GASKET D:125	64201776		•	•						•	•	•										
0205 BLACK GASKET D:168-126-2	64201774		•	•						•	•	•										
0300 SEALED CASE																						
0302 GASKET	65107341		•	•						•	•	•										
0305 GASKET (/ Flue bend turret)	64200254		•	•						•	•	•										
0344 FRONT PANEL	65107397		•	•						•	•	•										
0345 SIDE PANEL (L.H. SIDE)	65107362		•	•						•	•	•										
0368 FIXING KIT 45KW	65107348		•							•												
FIXING KIT 65Kw	65107349			•							•											
0400 GAS SECTION																						
0401 GAS VALVE	65000261		•	•						•	•	•										
0402 GASKET	12076699		•	•						•	•	•										
0404 VENTURI 45Kw	65107345		•							•												
VENTURI 65KW	65000269			•							•											
0407 FAN ASSY	64280528			•							•											
FAN ASSY 35-45Kw	65107346		•							•												
0410 GASKET	65000350		•	•						•	•	•										
0412 SILENCER	64200261		•	•						•	•	•										
0419 GAS PIPE 45Kw	65107357		•							•												
GAS PIPE 65KW	65107359			•							•											
0420 TEST POINT 1/8	64211101		•	•						•	•	•										
0427 SHEET GASKET D: 24-17-2	64201915		•	•						•	•	•										
0428 GASKET	64201334		•	•						•	•	•										

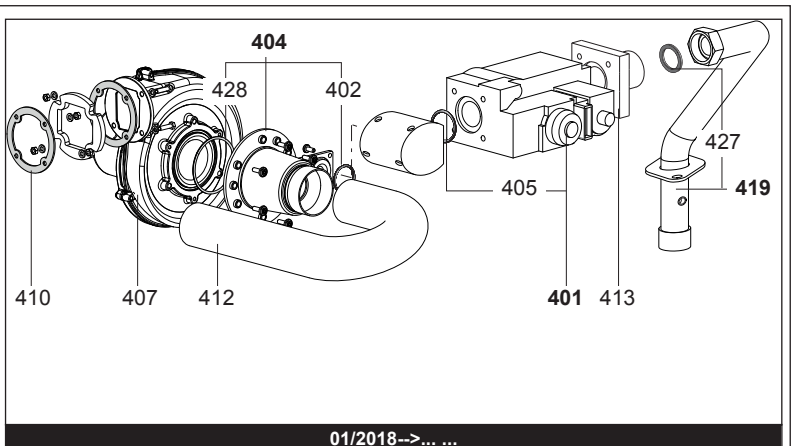
100
200
300
400

GENUS PREMIUM EVO HP/EU

Gas-wall condensing boilers



... ..->12/2017



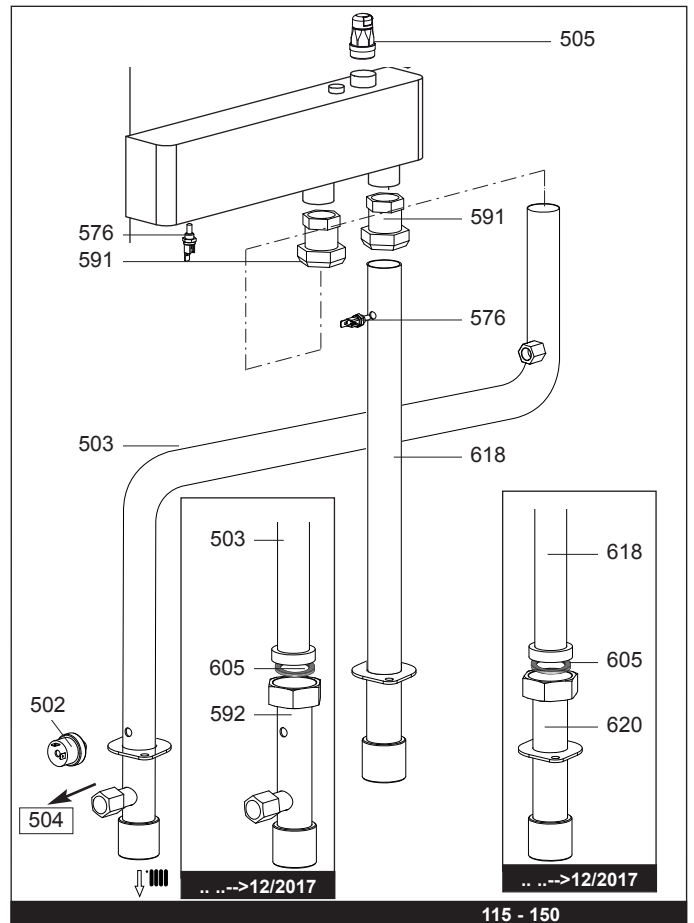
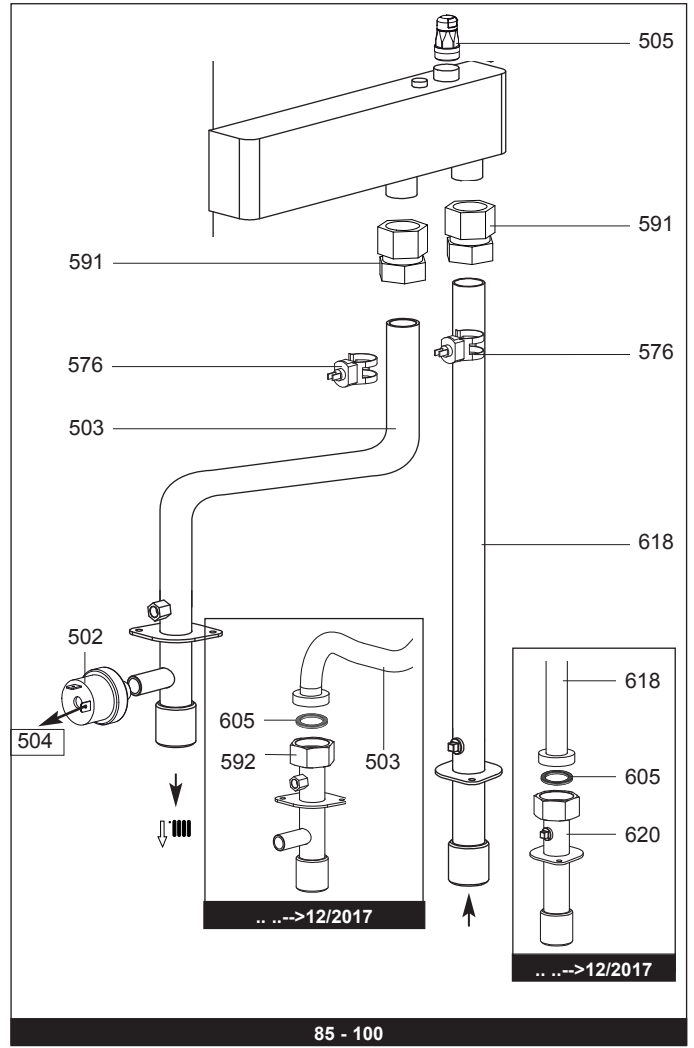
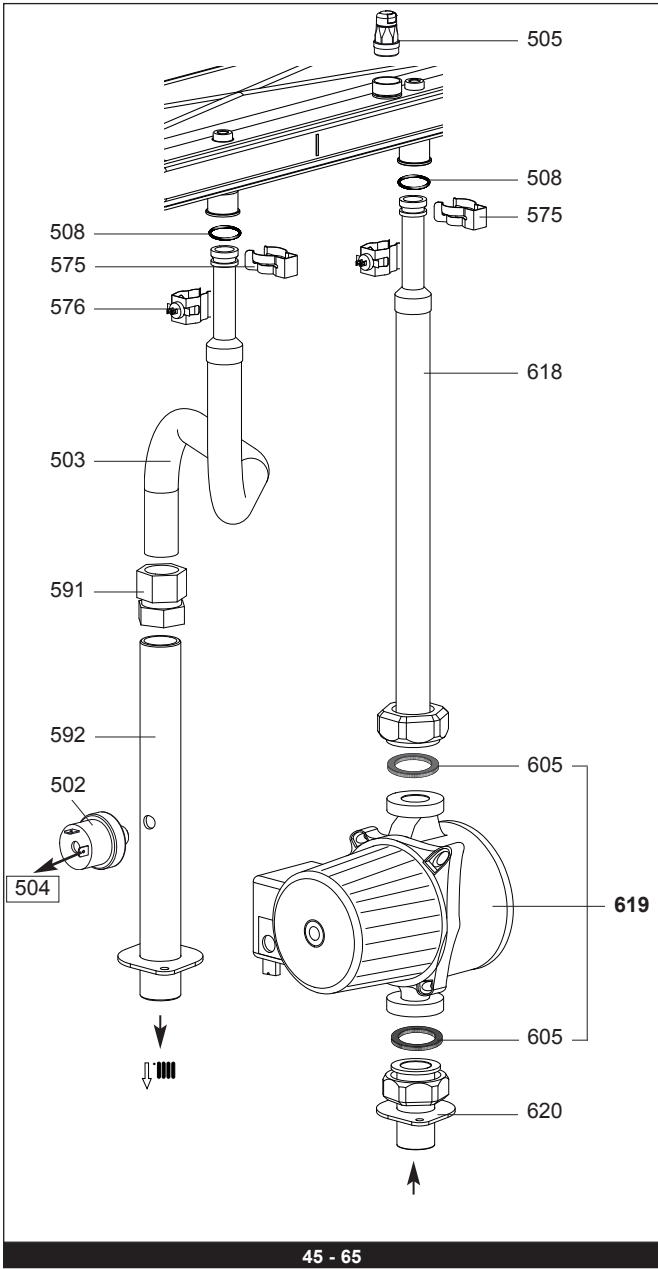
01/2018->... ..

115-150

GENUS EVO HP 45
 GENUS EVO HP 65
 GENUS EVO HP 85
 GENUS EVO HP 100
 GENUS EVO HP 115
 GENUS EVO HP 150
 GENUS EVO HP 45 EU
 GENUS EVO HP 65 EU
 GENUS EVO HP 85 EU
 GENUS EVO HP 100 EU
 GENUS EVO HP 115 EU
 GENUS EVO HP 150 EU

31

Description	Manf. Pt N	Type	GENUS EVO HP/EU																	
			1	2	3	4	5	6	7	8	9	10	11	12	13	14	15	16	17	18
0101 HEAT EXCHANGER 100KW (COMPLETE)	64202956																			
HEAT EXCHANGER 115 KW (COMPLETE)	64202957																			
HEAT EXCHANGER 150KW (COMPLETE)	64202958																			
HEAT EXCHANGER 85KW (COMPLETE)	64202955																			
0110 IGNITION ELECTRODE + GASKET	64201338																			
0111 IONIZATION ELECTRODE + GASKET	64201339																			
0112 DOOR GASKET	60000672-01																			
0114 TRAP	64201689																			
0116 CABLE (IGNITION ELECTRODE)	64201658																			
GASKET FOR IGNITION ELECTRODE	65103367-NL																			
0117 CABLE (IONIZATION ELECTRODE)	64201657																			
0118 TRANSFORMER ZAG2 10Va	64201912																			
0133 AIR SEPARATOR	64200953																			
0134 GASKET (IONIZATION ELECTRODE)	64200993																			
0135 PANEL (INSULATION)	64203129																			
0137 DOOR ASSY	12078921																			
DOOR ASSY	64201335																			
DOOR ASSY	64201337																			
0151 DISCHARGE PIPE (CONDENSATE)	64202189																			
0153 FLUE GAS SENSOR	65107342																			
0166 PANEL (INSULATION - REAR)	65103361																			
0167 GASKET	65000092																			
0203 GASKET 100MM FLUEGAS PIPE/COND. TRAY	64200264																			
0204 GASKET (/ Flue bend turret)	64200254																			
0303 CLIP	12077007																			
0344 CASE PANEL (FRONT)	64202215																			
0345 LEFT SIDE PANEL	65107907																			
LEFT SIDE PANEL	65107910																			
0346 INSULATION (SIDE PANEL)	64201652																			
INSULATION (SIDE PANEL)	64202182																			
0347 INSULATION (FRONT PANEL)	64201654																			
0348 RIGHT SIDE PANEL	65107906																			
0401 GAS VALVE	12056888																			
GAS VALVE	65000261																			
0402 GASKET	12076699																			
GASKET VENTURI/GAS VALVE	64201532																			
0403 CABLE (GAS VALVE)	64202190																			
CABLE (GAS VALVE)	65107360																			
0404 VENTURI	65000271																			
VENTURI 115KW	64202183																			
VENTURI 85-100KW	65000268																			
0405 GASKET VENTURI/GAS VALVE	64201532																			01/18
0407 FAN 150Kw	65000322																			
FAN ASSY	64280528																			
FAN ASSY 115Kw	64202184																			
0410 GASKET	12077084																			
GASKET	65000350																			
0411 PLATE DISTANCE	64203248																			01/18
SPACER	64201310																			12/17
SPACER	64201347																			12/17
SPACER	64201347																			
0412 SILENCER	64200262																			
0413 FLANGE+BOLTS+O-RING THISION L	64201911																			01/18
VALVE CONNECTOR	64201316																			12/17
0419 GAS PIPE 100 KW	64203251																			01/18
GAS PIPE 100Kw	64202186																			12/17
GAS PIPE 115 KW	64203255																			01/18
GAS PIPE 115Kw	64202187																			12/17
GAS PIPE 150 KW	64203249																			01/18
GAS PIPE 150Kw	64202188																			12/17
GAS PIPE 85 KW	64203250																			01/18
GAS PIPE 85Kw	64202185																			12/17
INSULATION KIT 2ND HE R3409	64202350																			01/18
0420 TEST POINT 1/8	64211101																			
0421 BRASS NIPPLE R3/4-G1	65108212																			12/17
0427 SHEET GASKET D: 24-17-2	64201915																			
SHEET GASKET D: 30-22-2	64201916																			
0428 GASKET	64201334																			
O-RING 110.72X3.53	64201315																			
O-RING 70X3	64202191																			



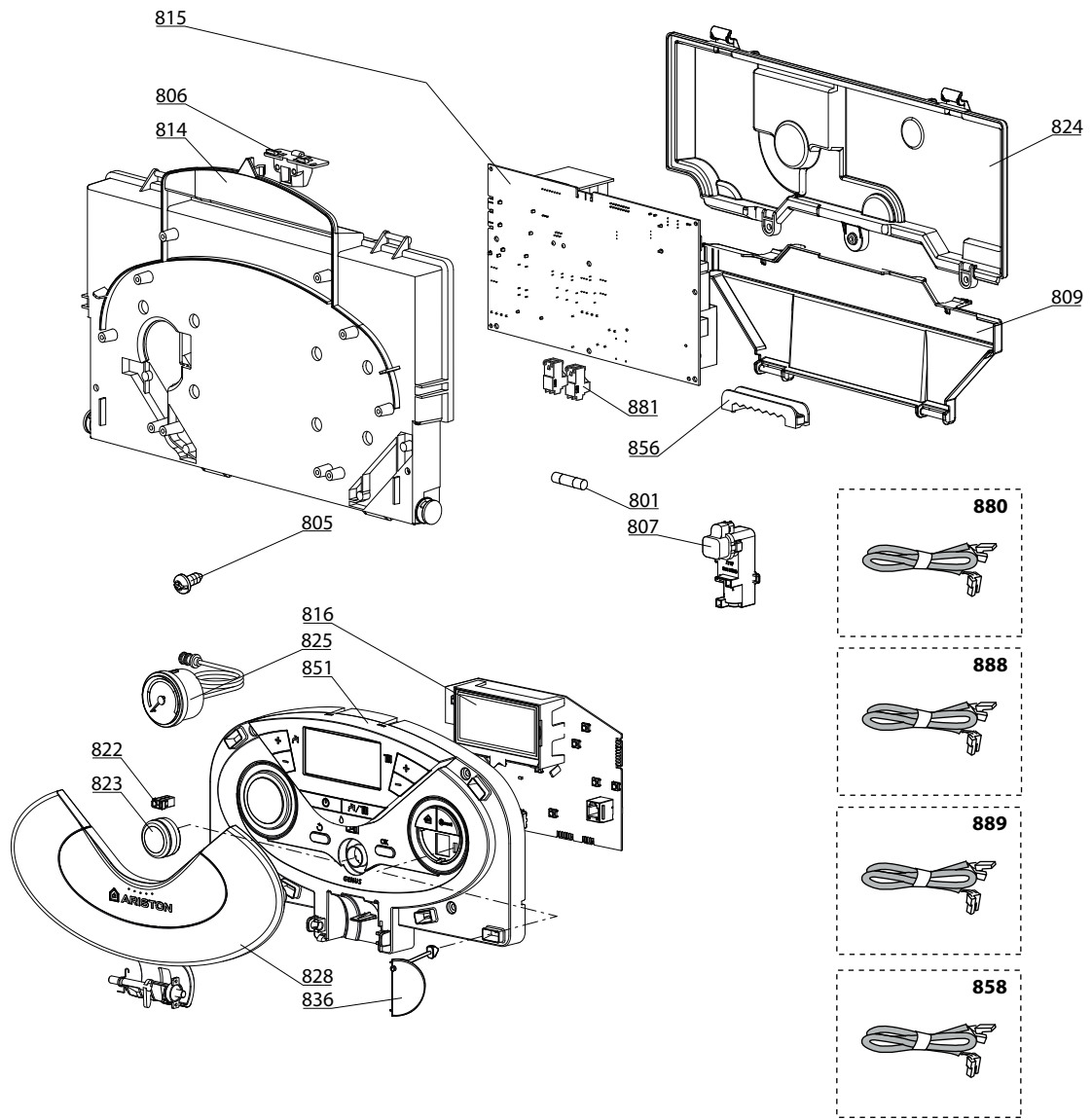
GENUS EVO HP 45
 GENUS EVO HP 65
 GENUS EVO HP 85
 GENUS EVO HP 100
 GENUS EVO HP 115
 GENUS EVO HP 150
 GENUS EVO HP 45 EU
 GENUS EVO HP 65 EU
 GENUS EVO HP 85 EU
 GENUS EVO HP 100 EU
 GENUS EVO HP 115 EU
 GENUS EVO HP 150 EU

31

Code	Description	Manf. Pt. N	Type																			From	to						
				1	2	3	4	5	6	7	8	9	10	11	12	13	14	15	16	17	18								
0500	FLOW GROUP																												
0502	PRESSURE SWITCH	64202146		•	•									•		•													
0503	PIPE (C.H. FLOW) 100 KW	64203258													•												01/18		
	PIPE (C.H. FLOW) 100Kw	64202195					•																					12/17	
	PIPE (C.H. FLOW) 115-150Kw	64202196						•	•													•	•					12/17	
	PIPE (C.H. FLOW) 150-150 KW	64203260						•	•													•	•				01/18		
	PIPE (C.H. FLOW) 45Kw	65107354		•									•																
	PIPE (C.H. FLOW) 65KW	65107358			•								•																
	PIPE (C.H. FLOW) 85 KW	64203256							•																		01/18		
	PIPE (C.H. FLOW) 85Kw	64202194																										12/17	
0505	FILL/DRAIN VALVE 1/2" GENUS HP 45-65	65107343		•	•						•	•																	
0508	O-RING 39.45X1.78	65107364		•	•						•	•																	
0575	CLIP	65107379		•	•						•	•																	
0576	TEMPERATURE PROBE + CLIP	64201656				•	•							•	•							•	•						
	TEMPERATURE PROBE + CLIP	64202192									•	•										•	•						
	TEMPERATURE PROBE + CLIP	990686-01		•	•							•	•																
0591	CONNECTION 28MMx1" INS GALVANISED	64201314		•	•	•	•				•	•	•	•															
	CONNECTION 28MMx1" INS GALVANISED	64201314																									01/18		
	STRAIGHT COUPLING 35mm 1"	64202200																										12/17	
0592	FLOW CONNECTION	64201661				•	•							•	•														12/17
	FLOW CONNECTION	65107353		•	•									•	•														
	FLOW CONNECTION	64202198																										12/17	
0600	RETURN GROUP																												
0605	GASKET 1"1/2 44x32	12013460		•	•																								
	GASKET NEOPR. D: 44-32-2 TRIGON L	64202163					•	•																					
0618	PIPE (C.H. RETURN)	64200249					•	•																					12/17
	PIPE (C.H. RETURN)	64202193																											12/17
	PIPE (C.H. RETURN)	65107355		•	•																								
	PIPE (C.H. RETURN) 115-150 KW	64203259																										01/18	
	PIPE (C.H. RETURN) 85-100 KW	64203257						•	•																			01/18	
0619	PUMP WILO RS 25/7-2 130 EMK 23	65115896	CHINA	•																									
	PUMP WILO STRATOS PARA 25/1-9 PWM	64202621				•																							
	PUMP WILO YONOS PARA 25/7,5 PWM	64202620		•																									
0620	PIPE (C.H. RETURN)	64201660					•	•																					12/17
	PIPE (C.H. RETURN)	64202197																											12/17
	PIPE (C.H. RETURN)	65107356		•	•																								

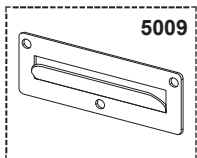
GENUS PREMIUM EVO HP/EU

Gas-wall condensing boilers



5000

- 5001**
 Transf. gaz > GPL
 Conv. gas > GPL
 Trasn. gas > GPL
 Transf. gas > GPL



LIST OF THE ABBREVIATIONS

HW	: Hot water.
CW	: Cold water.
C	: Ceramic resistance (normal heating).
Ca	: Ceramic resistance (accelerated heating)
TP	: Immersion heater.
1F	: With fittings.
2F	: Without fittings.
3F	: With fittings and another outlet connection.
AMI	: With mixing valve.
SMI	: Without mixing valve.
PUISS	: Power of th appliance.
PN	: Appliance with normal pression.
LP	: Appliance with low pression.
PV	: Appliance with variable power.
PF	: Appliance with fixed power.

IDENTIFICATION PLATE

SERIAL NUMBER

10 Characters :	04 05 125 011	Sequential number
		Manufacturing day
		Year of manufacture
11 Characters :	1 95 065004 - 31	Technical number of the appliance
Month of manufacture :		Sequential number
from 1 to 9 → Jan. to Sep.,		Year of manufacture
O → Oct., N → Nov.,		
D → Dec.		
19 Characters :	08 05 0013199 900640031	Product reference
Year of manufacture		Sequential number
Month of manufacture		
20 Characters :	3675007 XX 2 07 070 00315	Sequential number
Product reference		Manufacturing day
Millenium of manufacture		Year of manufacture
21 Characters :	3675007 XX 07 070 0000315	Sequential number
Product reference		Manufacturing day
Year of manufacture		