



SPARE PARTS EXPLODED VIEW  
GAS-WALL CONDENSING BOILERS

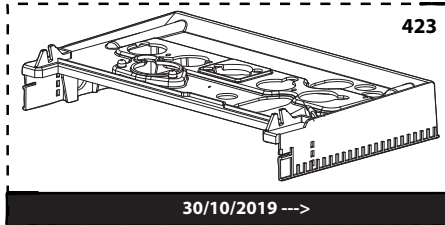
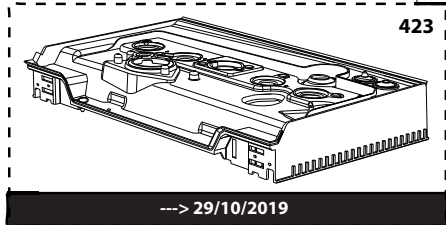
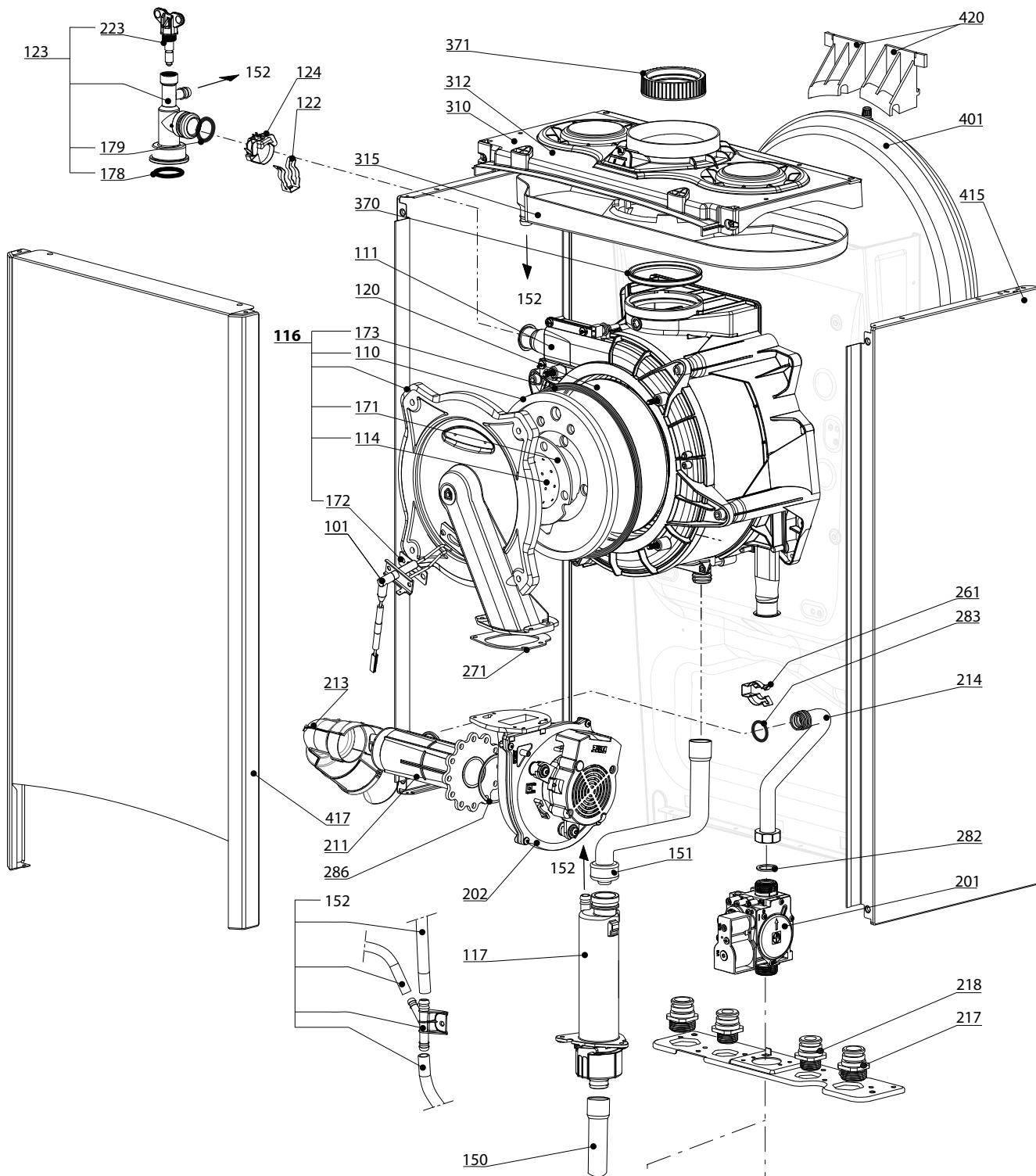
Model  
**CLAS ONE**

R8203482-04 - 07/01/2020

CLAS ONE

Gas-wall condensing boilers

1	3301017	CLAS ONE 24 RDC	07-2017	-
2	3301036	CLAS ONE 30 RDC	07-2017	-
3	3301037	CLAS ONE 35 RDC	07-2017	-
4	3301038	CLAS ONE SYSTEM 18 RDC	07-2017	04-2018
5	3301039	CLAS ONE SYSTEM 24 RDC	07-2017	-
6	3301040	CLAS ONE SYSTEM 30 RDC	07-2018	-
7	3301041	CLAS ONE SYSTEM 35 RDC	07-2017	-
Col	Reference	Model type	Begin	End



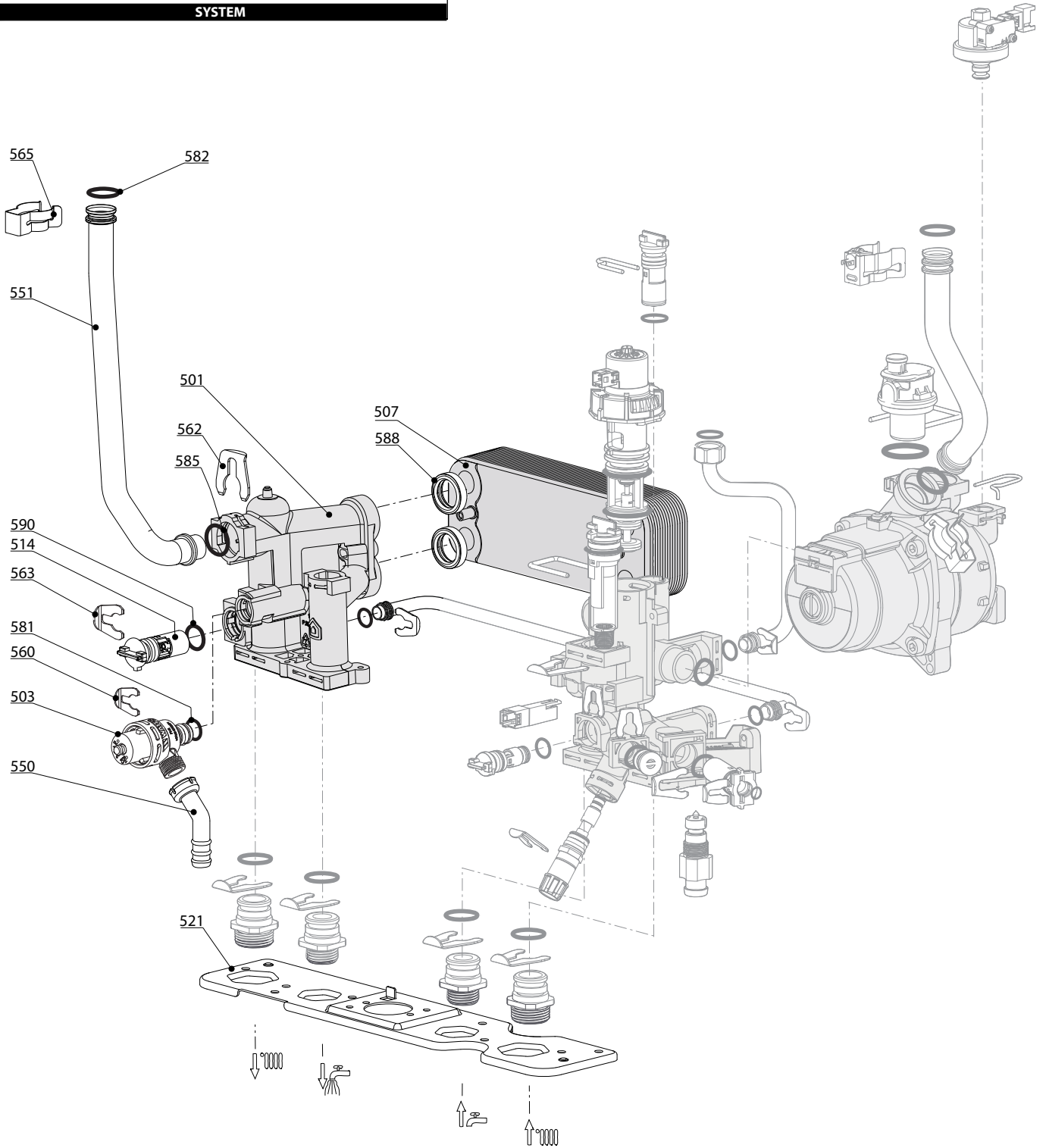
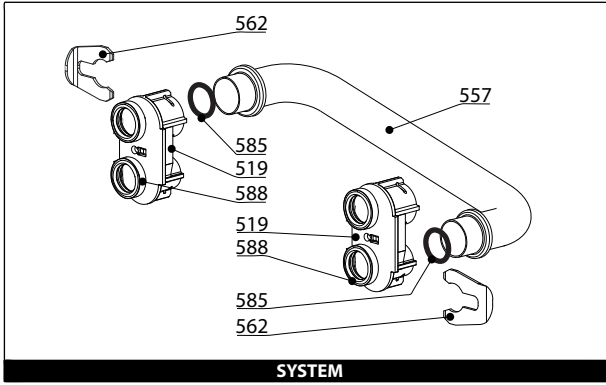
CLAS ONE 24  
 CLAS ONE 30  
 CLAS ONE 35  
 CLAS ONE SYST. 18  
 CLAS ONE SYST. 24  
 CLAS ONE SYST. 30  
 CLAS ONE SYST. 35

31

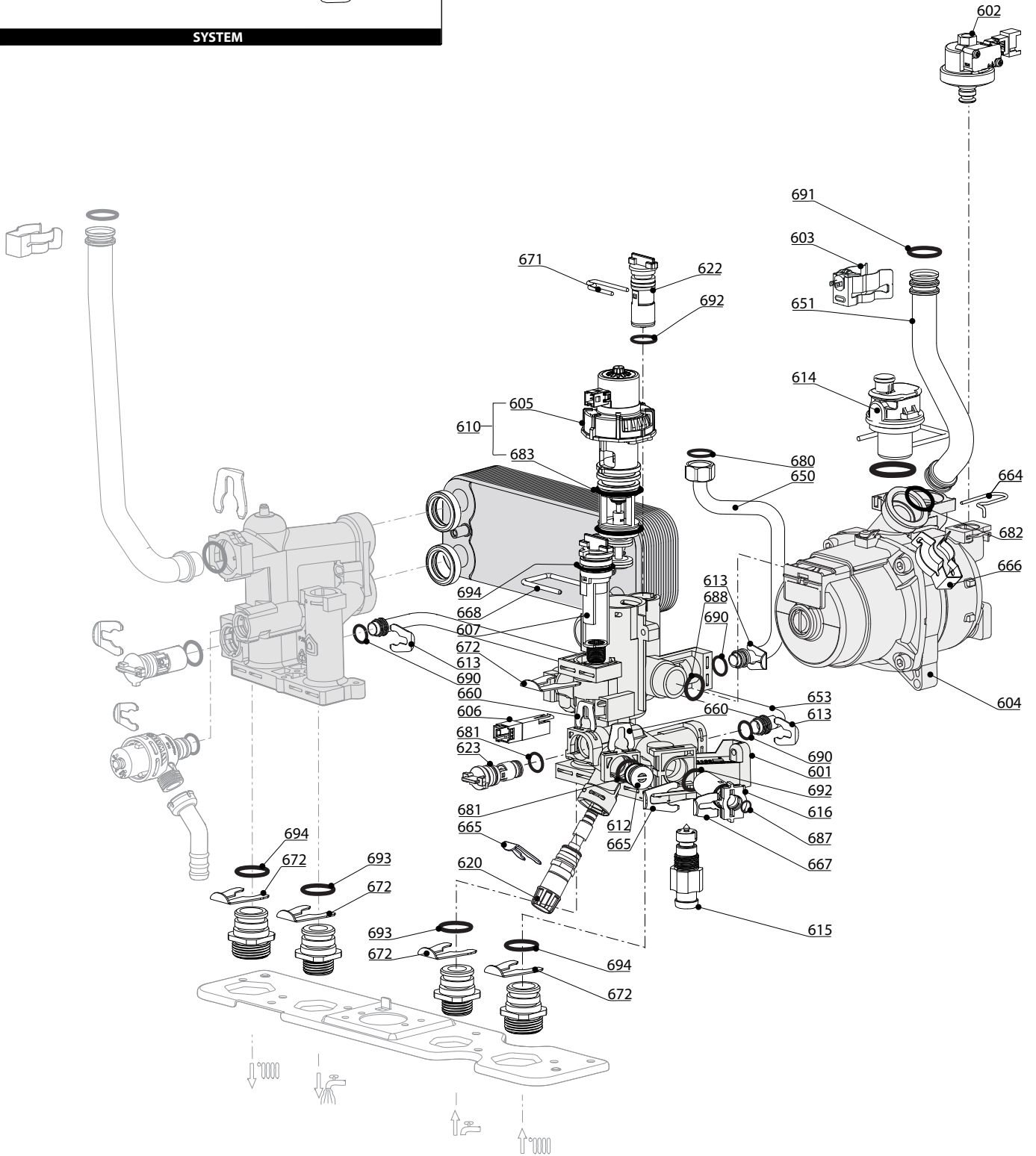
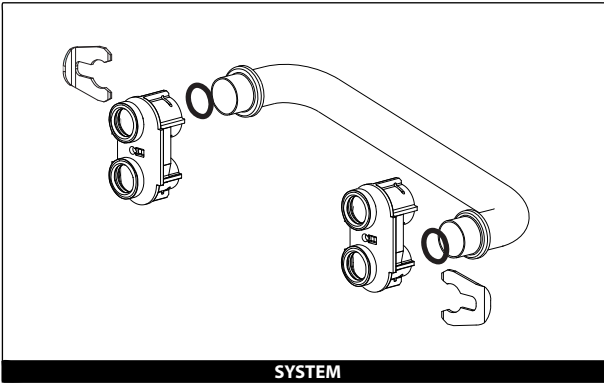
Description	Manf. Pt. N	Type	CLAS ONE 24 CLAS ONE 30 CLAS ONE 35 CLAS ONE SYST. 18 CLAS ONE SYST. 24 CLAS ONE SYST. 30 CLAS ONE SYST. 35																		From	to
			1	2	3	4	5	6	7	8	9	10	11	12	13	14	15	16	17	18		
<b>0100 BURNER ASSEMBLY</b>																						
0101 IGNITION AND DETECTION ELECTRODE	65116556		●	●	●	●	●	●	●	●	●											
0110 INSULATION (FRONT PANEL)	65116512		●	●	●	●	●	●	●	●	●											
0111 EXCHANGER 24KW	65116695-01		●			●	●															
EXCHANGER 30KW	65116696-01			●					●													
EXCHANGER 35KW	65116697-01				●					●												
0114 BURNER 24KW	65116596		●			●	●															
BURNER 30kW	65116603			●					●													
BURNER 35KW	65116604				●						●											
0116 DOOR ASSY	65116515		●	●	●	●	●	●	●	●	●											
0117 CONDENSATE TRAP	65117391		●	●	●	●	●	●	●	●	●											
0120 PANEL (INSULATION - REAR)	65116047		●	●	●	●	●	●	●	●	●											
0122 CLIP	65116517		●	●	●	●	●	●	●	●	●											
0123 AIR VENT	65116518		●	●	●	●	●	●	●	●	●											
0124 TEMPERATURE PROBE + CLIP	990686-01		●	●	●	●	●	●	●	●	●											
0150 CONDENSATE DRAIN HOSE D:19 L:500	60000976		●	●	●	●	●	●	●	●	●											
0151 FLEXIBLE PIPE	65116519		●	●	●	●	●	●	●	●	●											
0152 CONNECTION Y +TUBES	65117078-01		●	●	●	●	●	●	●	●	●											
0171 GASKET (BURNER)	65116521		●	●	●	●	●	●	●	●	●											
0172 GASKET (IGNITION ELECTRODE)	65116263		●	●	●	●	●	●	●	●	●											
0173 DOOR GASKET	60000623		●	●	●	●	●	●	●	●	●											
0178 O-RING 17.86X2.62	61308091		●	●	●	●	●	●	●	●	●											
0179 O-RING 18X2,8	65116846		●	●	●	●	●	●	●	●	●											
<b>0200 GAS SECTION</b>																						
0201 GAS VALVE SIT	60002799-01		●	●	●	●	●	●	●	●	●											
0202 FAN	65116558		●	●	●	●	●	●	●	●	●											
0211 VENTURI 24 KW NG	65116597		●			●	●															
VENTURI 30 KW NG	65116605			●					●													
VENTURI 35 KW NG	65116606				●					●												
0213 SILENCER	65116598		●	●	●	●	●	●	●	●	●											
0214 GAS PIPE 24KW	65116599		●			●	●															
GAS PIPE 30KW	65116607			●					●													
GAS PIPE 35KW	65116608				●					●												
0217 CH ADAPTER (3/4")	65114929		●	●	●	●	●	●	●	●	●											
0218 DHW ADAPTER (1/2")	65114930		●	●	●	●	●	●	●	●	●											
0223 DRAIN SCREW	65116528		●	●	●	●	●	●	●	●	●											
0261 CLIP	60000309		●	●	●	●	●	●	●	●	●											
0271 FAN GASKET	65116530		●	●	●	●	●	●	●	●	●											
0282 SHEET GASKET D: 24-18.2-1.5	60022835-01		●	●	●	●	●	●	●	●	●											
0283 O-RING 17,86X2,62	60002766		●	●	●	●	●	●	●	●	●											
0286 GASKET	60001878		●	●	●	●	●	●	●	●	●											
<b>0300 FAN ASSEMBLY</b>																						
0310 CASE COVER ASSY	65116531		●			●	●															
CASE COVER ASSY	65116564			●	●				●	●												
0312 FLUE TEST PORT PLUG	65104295		●	●	●	●	●	●	●	●	●											
0315 SPLASH PREVENTER	65116536		●	●	●	●	●	●	●	●	●											
0370 SEALING RING 80MM	60002815-01		●	●	●	●	●	●	●	●	●											
0371 GASKET	60000316		●	●	●	●	●	●	●	●	●											
<b>0400 SEALED CASE</b>																						
0401 EXPANSION VESSEL 8L	65104261		●	●	●	●	●	●	●	●	●											
0415 SIDE PANELS LEFT + RIGHT	65117304		●			●	●															
SIDE PANELS LEFT + RIGHT	65117306			●	●				●	●												
0417 CASE PANEL (FRONT)	65116568		●	●	●	●	●	●	●	●	●											
0420 EXPANSION VESSEL SUPPORT 8L	65116534		●	●	●	●	●	●	●	●	●											
0423 PLATE WIRE BOX 18-24 KW	65116601		●			●	●														10/19	
PLATE WIRE BOX 18-24 KW	65119768			●		●	●													11/19		
PLATE WIRE BOX 30-35KW	65116610			●	●				●	●											10/19	
PLATE WIRE BOX 30-35KW	65119773			●	●				●	●										11/19		

CLAS ONE

Gas-wall condensing boilers



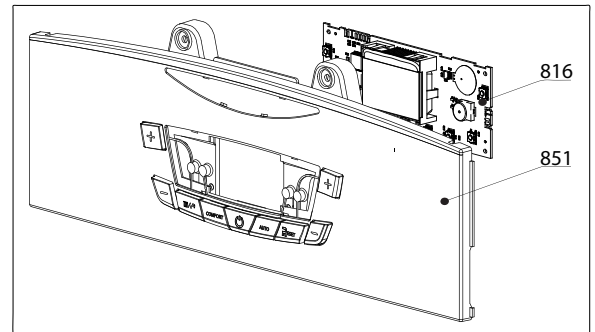
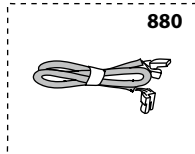
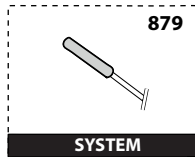
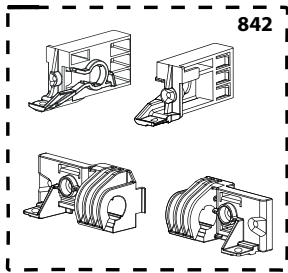
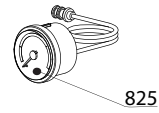
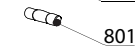
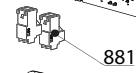
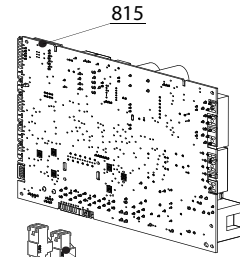
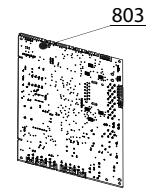
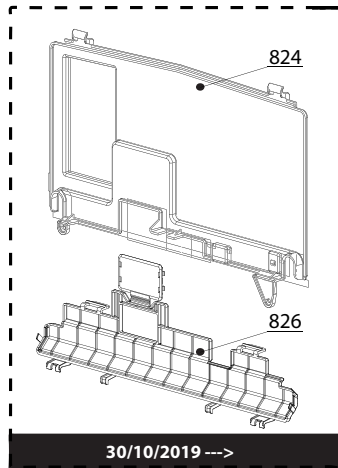
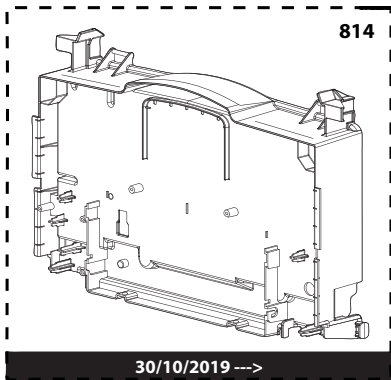
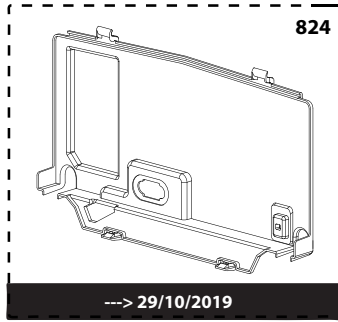
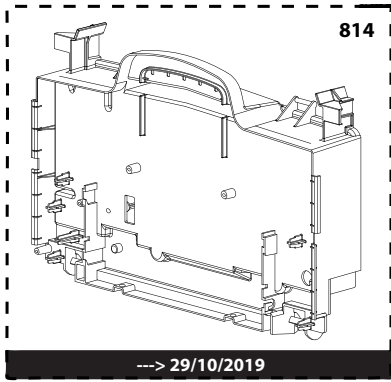




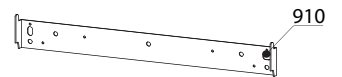
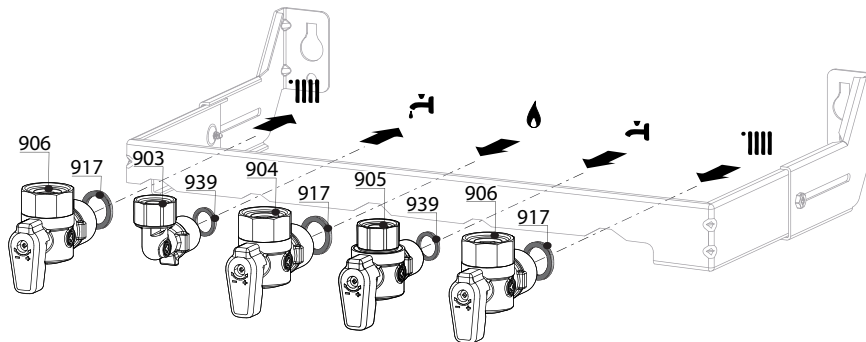
31	Description	Manf. Pt. N	Type	CLAS ONE 24 CLAS ONE 30 CLAS ONE 35 CLAS ONE SYST. 18 CLAS ONE SYST. 24 CLAS ONE SYST. 30 CLAS ONE SYST. 35															From	to						
				1	2	3	4	5	6	7	8	9	10	11	12	13	14	15			16	17	18			
0600	<b>RETURN GROUP</b>																									
0601	RETURN GROUP	65116540		●	●	●																				06/18
	RETURN GROUP	65116613					●	●	●	●	●	●														10/19
	RETURN GROUP	65117953		●	●	●																			07/18	10/19
	RETURN GROUP	65119770		●	●	●																				11/19
	RETURN GROUP	65119772					●	●	●	●	●	●														11/19
0602	LOW PRESSURE SWITCH	65115792		●	●	●	●	●	●	●	●	●														
0603	TEMPERATURE PROBE + CLIP	990686-01		●	●	●	●	●	●	●	●	●														
0604	PUMP 5M 2V WILO	65104319	WILO	●	●	●	●	●	●	●	●	●														
0605	MOTOR (3-WAY VALVE)	65114936		●	●	●	●	●	●	●	●	●														
0606	SENSOR (REED)	65114921-01		●	●	●																				
0607	FLOW METER CAP	65114919		●	●	●	●	●	●	●	●	●														
0610	MOTOR + SPRING 3 WAY VALVE KIT	65114924		●	●	●	●	●	●	●	●	●														
0612	PLUG	65114920		●	●	●	●	●	●	●	●	●														
0613	CLIP D10	65104260		●	●	●	●	●	●	●	●	●														
0614	AUTO AIR VENT - WILO	65104703	WILO	●	●	●	●	●	●	●	●	●														
0615	DRAIN COCK	65114922		●	●	●	●	●	●	●	●	●														
0616	WATER FILTER	65114923		●	●	●	●	●	●	●	●	●														
0620	FILLING TAP KIT	65119771		●	●	●	●	●	●	●	●	●														
0622	BY-PASS	65114917		●	●	●	●	●	●	●	●	●														
0623	CHECK VALVE CARTRIDGE	65114918		●	●	●	●	●	●	●	●	●														
0650	PIPE (EXPANSION VESSEL)	65116542		●	●	●	●	●	●	●	●	●														
0651	PIPE (C.H. RETURN)	65116543		●	●	●	●	●	●	●	●	●														
0653	BY-PASS PIPE	65116210		●	●	●																				06/18
	BY-PASS PIPE	65116210					●	●	●	●	●	●														
0660	CLIP D:10	65114933		●	●	●	●	●	●	●	●	●														
0664	CLIP	65104322		●	●	●	●	●	●	●	●	●														
0665	CLIP D:12	65114932		●	●	●	●	●	●	●	●	●														
0666	CLIP	60000309		●	●	●	●	●	●	●	●	●														
0667	CLIP D:6	65100680		●	●	●	●	●	●	●	●	●														
0668	CLIP	65114927		●	●	●	●	●	●	●	●	●														
0671	CLIP	65114926		●	●	●	●	●	●	●	●	●														
0672	CLIP	65114931		●	●	●	●	●	●	●	●	●														
0680	GASKET 3/8 in	573521		●	●	●	●	●	●	●	●	●														
0681	O-RING 9.9X2.62	65114937		●	●	●	●	●	●	●	●	●														
0682	O-RING 17.04X3.53	65104262		●	●	●	●	●	●	●	●	●														
0683	O-RING 23.47X2.62	65114939		●	●	●	●	●	●	●	●	●														
0687	O-RING 5.7X1.9	61009834-10		●	●	●	●	●	●	●	●	●														
0688	O-RING 21.89X2.62	65104320		●	●	●	●	●	●	●	●	●														
0690	O-RING 8.9X2.7	61009834-14		●	●	●	●	●	●	●	●	●														
0691	O-RING 17.86X2.62	61308091		●	●	●	●	●	●	●	●	●														
0692	O-RING 11.91X2.62	65114940		●	●	●	●	●	●	●	●	●														
0693	O-RING 15.88X2.62	65114941		●	●	●	●	●	●	●	●	●														
0694	O-RING 17.13X2.62	65114938		●	●	●	●	●	●	●	●	●														



800



900



5000

5001

- Gas conv. LPG G30/G31
- Transf. gaz GPL G30/G31
- Trasf. gas GPL G30/G31
- Trasf. gas GLP G30/G31
- Flussiggas Umstellset
- F-gas G30/G31
- Ombouwset
- LPG G30/G31

5020

- Accessories
- Options
- Opzioni
- Accessorio
- Zubehör
- Opties





## LIST OF THE ABBREVIATIONS

HW .....	: Hot water.
CW .....	: Cold water.
C .....	: Ceramic resistance (normal heating).
Ca .....	: Ceramic resistance (accelerated heating)
TP .....	: Immersion heater.
1F .....	: With fittings.
2F .....	: Without fittings.
3F .....	: With fittings and another outlet connection.
AMI .....	: With mixing valve.
SMI .....	: Without mixing valve.
PUISS .....	: Power of th appliance.
PN .....	: Appliance with normal pression.
LP .....	: Appliance with low pression.
PV .....	: Appliance with variable power.
PF .....	: Appliance with fixed power.

## IDENTIFICATION PLATE

### SERIAL NUMBER

10 Characters :

04 05 125 011  
 Year of manufacture    Manufacturing day    Sequential number

11 Characters :

1 95 065004 - 31  
 Month of manufacture : from 1 to 9 → Jan. to Sep.,  
 O → Oct., N → Nov.,  
 D → Dec.    Technical number of the appliance  
 Sequential number  
 Year of manufacture

19 Characters :

08 05 0013199 900640031  
 Year of manufacture    Month of manufacture    Product reference  
 Sequential number

20 Characters :

3675007 XX 2 07 070 00315  
 Product reference    Millenium of manufacture    Sequential number  
 Manufacturing day    Year of manufacture

21 Characters :

3675007 XX 07 070 0000315  
 Product reference    Year of manufacture    Sequential number  
 Manufacturing day