



**ARISTON**

# SPARE PARTS EXPLODED VIEW STORAGE ELECTRIC WATER HEATERS

Model

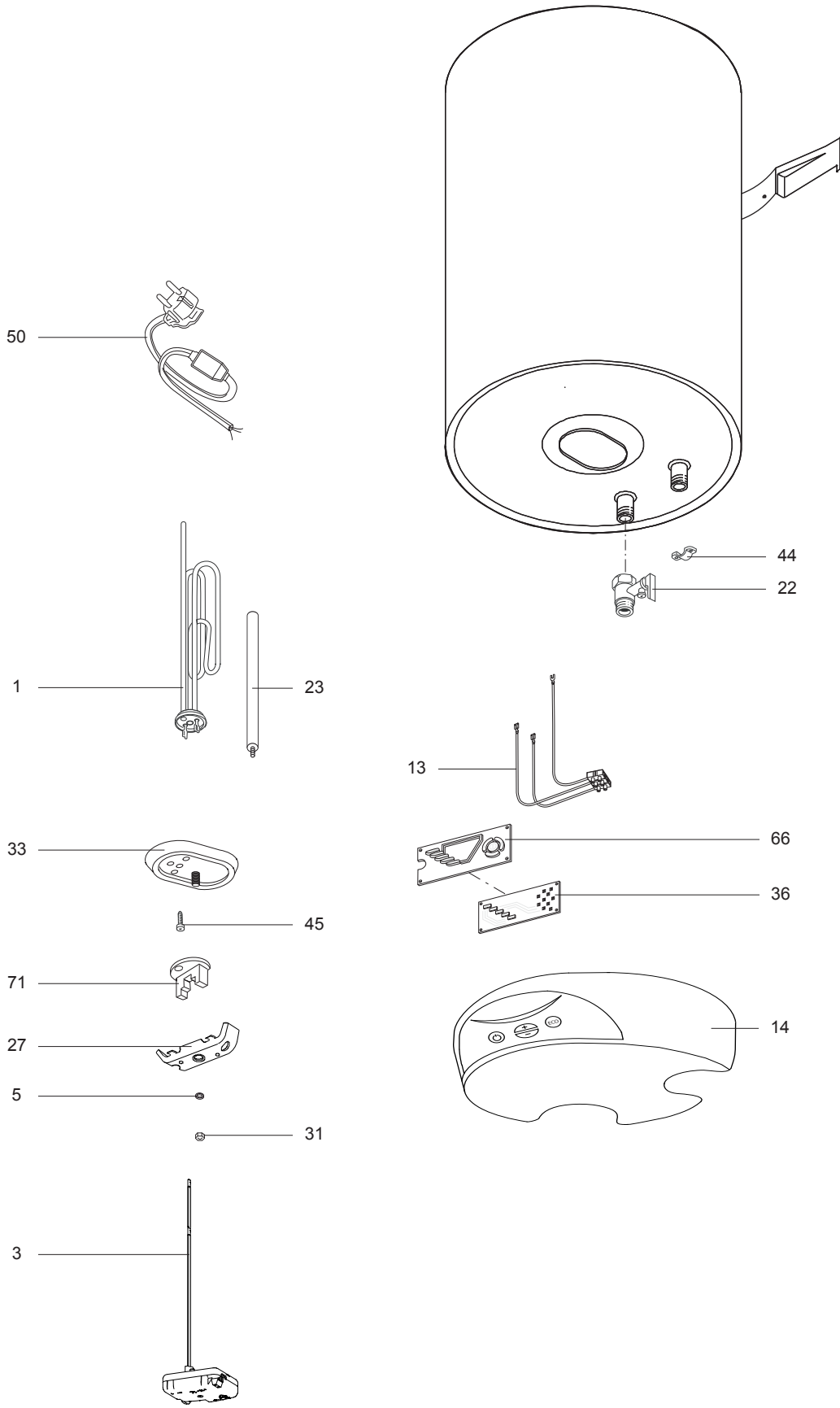
## **ABS PRO ECO INOX V SLIM**

R8216971-02 - 10/01/2014

ABS PRO ECO INOX V SLIM

Storage Electric Water Heaters

1	3704043	ABS PRO ECO INOX 30 V SLIM	08-2013	-
2	3700385	ABS PRO ECO INOX 50 V SLIM	08-2013	-
3	3700386	ABS PRO ECO INOX 65 V SLIM	08-2013	-
4	3700387	ABS PRO ECO INOX 80 V SLIM	08-2013	-
Col	Reference	Model type	Begin	End





# LIST OF THE ABBREVIATIONS

- HW ..... : Hot water.
- CW ..... : Cold water.
- C ..... : Ceramic resistance (normal heating).
- Ca ..... : Ceramic resistance (accelerated heating)
- TP ..... : Immersion heater.
- 1F ..... : With fittings.
- 2F ..... : Without fittings.
- 3F ..... : With fittings and another outlet connection.
- AMI ..... : With mixing valve.
- SMI ..... : Without mixing valve.
- PUISS ..... : Power of th appliance.
- PN ..... : Appliance with normal pression.
- LP ..... : Appliance with low pression.
- PV ..... : Appliance with variable power.
- PF ..... : Appliance with fixed power.

# IDENTIFICATION PLATE

## SERIAL NUMBER

**6 Characters :**  
 Year of manufacture 03 09 08 Manufacturing day  
 Month of manufacture

**9 Characters :**  
 Year of manufacture M 12 10 0606  
 Month of manufacture Sequential number

**14 Characters :**  
 SI-V-0B0 45 07 0001  
 Sequential number  
 Year of manufacture : 6 → 2004  
 Month of manufacture : → 25 → January 43 → July 7 → 2005  
 13 → February 29 → August 8 → 2006  
 32 → March 40 → September etc ...  
 35 → April 38 → October  
 39 → May 51 → November  
 45 → June 12 → December

**15 Characters :**  
 Year of manufacture 02 11 00001 007843  
 Month of manufacture Code appareil  
 Sequential number

**21 Characters :**  
 3200050 XX 08115 0000001  
 Product reference Sequential number  
 Year (08) / Manufacturing day (115)

**22 Characters :**  
 3200050 XX 070115 0000001  
 Product reference Sequential number  
 Year (07) / Month (01) / Manufacturing day (15)

The indications mentioned on the prices, commercial or technical literature and the scheme are written for your guidance and are available at a given time. The CONSTRUCTOR retains the power to modify the presentation, the form, the size, the conception or the material of the products.