



SPARE PARTS EXPLODED VIEW  
STORAGE ELECTRIC WATER HEATERS

Model

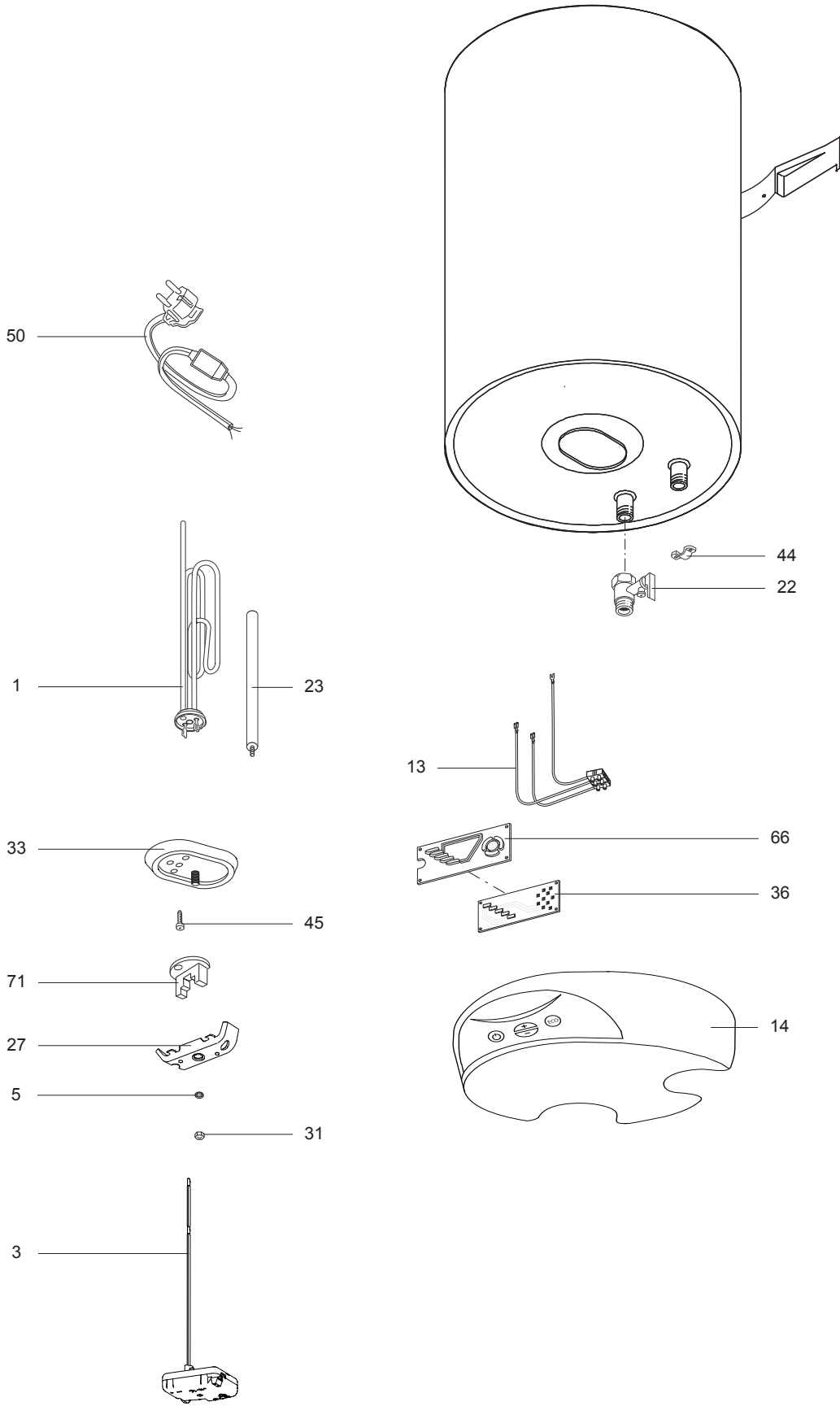
**ABS PLT ECO SLIM**

R8216312-04 - 10/01/2014

ABS PLT ECO SLIM

Storage Electric Water Heaters

1	3700190	ABS PLT ECO 30 V SLIM	10-2008	09-2013
2	3700191	ABS PLT ECO 50 V SLIM	10-2008	09-2013
3	3700192	ABS PLT ECO 65 V SLIM	10-2008	09-2013
4	3700193	ABS PLT ECO 80 V SLIM	10-2008	09-2013
Col	Reference	Model type	Begin	End





## LIST OF THE ABBREVIATIONS

HW .....	: Hot water.
CW .....	: Cold water.
C .....	: Ceramic resistance (normal heating).
Ca .....	: Ceramic resistance (accelerated heating)
TP .....	: Immersion heater.
1F .....	: With fittings.
2F .....	: Without fittings.
3F .....	: With fittings and another outlet connection.
AMI .....	: With mixing valve.
SMI .....	: Without mixing valve.
PUISS .....	: Power of th appliance.
PN .....	: Appliance with normal pression.
LP .....	: Appliance with low pression.
PV .....	: Appliance with variable power.
PF .....	: Appliance with fixed power.

## IDENTIFICATION PLATE

### SERIAL NUMBER

**6 Characters :**  
 Year of manufacture      03 09 08           Manufacturing day  
 Month of manufacture

**9 Characters :**  
 Year of manufacture      M 12 10 0606      Sequential number  
 Month of manufacture

**14 Characters :**  
SI-V-0B0 45 07 0001  
 Sequential number  
 Year of manufacture :                                                                                       
 Month of manufacture : → 25 → January 43 → July 7 → 2005  
 13 → February 29 → August 8 → 2006  
 32 → March 40 → September etc ...  
 35 → April 38 → October  
 39 → May 51 → November  
 45 → June 12 → December  
 Product model

**15 Characters :**  
     02 11 00001 007843  
 Year of manufacture           Code appareil  
 Month of manufacture           Sequential number

**21 Characters :**  
3200050 XX 08115 0000001  
 Product reference                     Sequential number  
 Year (08) / Manufacturing day (115)

**22 Characters :**  
3200050 XX 070115 0000001  
 Product reference                     Sequential number  
 Year (07) / Month (01) / Manufacturing day (15)