

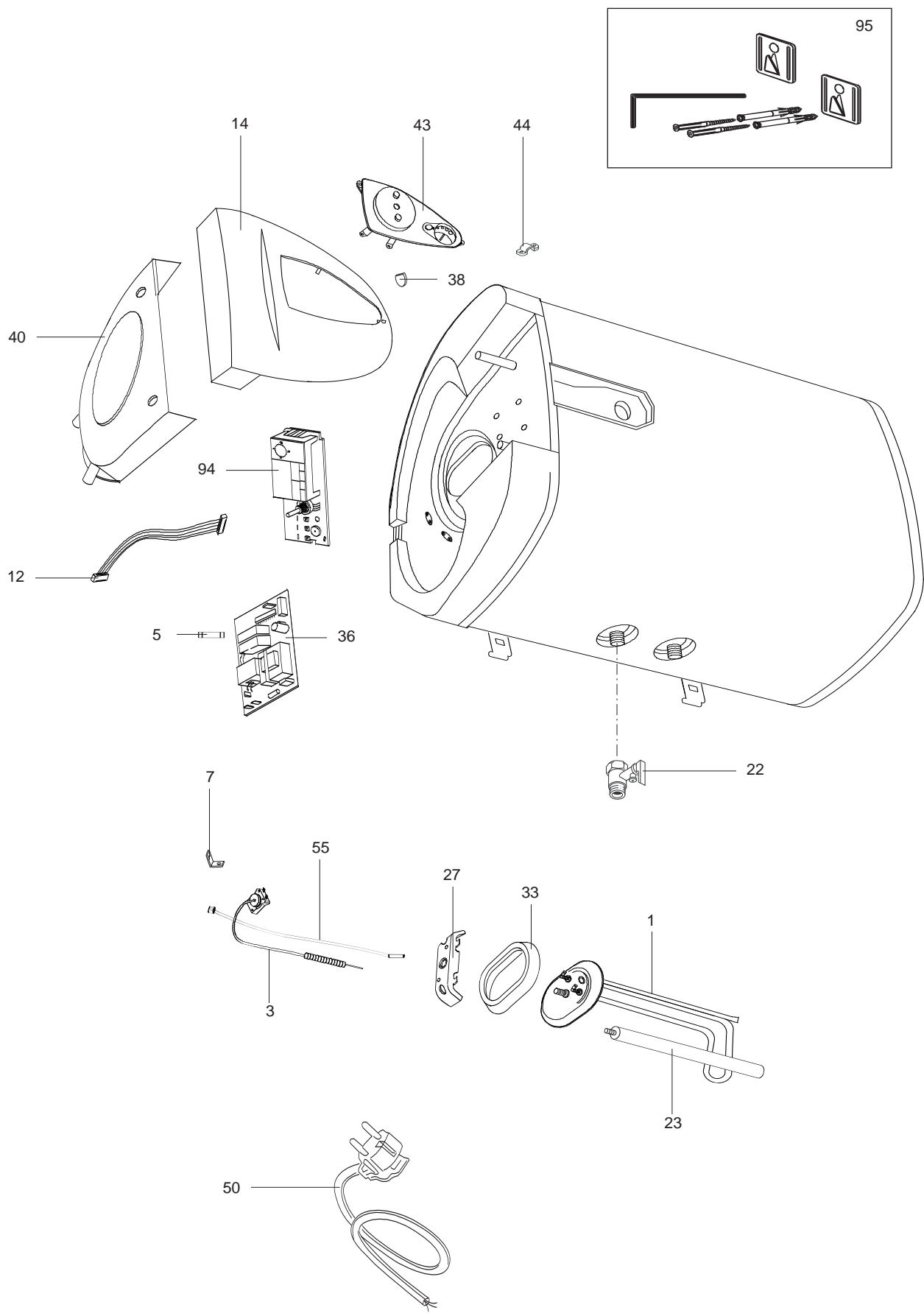
SPARE PARTS EXPLODED VIEW STORAGE ELECTRIC WATER HEATERS

Model

TI-SHAPE PLUS H EE

R8215933-02EN - Edition 02 - 22/05/2009

360 5023		TI-SHAPE PLUS 50 H EE
360 5024		TI-SHAPE PLUS 80 H EE
360 5025		TI-SHAPE PLUS 100 H EE
Reference	Ind.	Model type	Begin	End



LIST OF THE ABBREVIATIONS

HW	: Hot water.
CW	: Cold water.
C	: Ceramic resistance (normal heating).
Ca	: Ceramic resistance (accelerated heating)
TP	: Immersion heater.
1F	: With fittings.
2F	: Without fittings.
3F	: With fittings and another outlet connection.
AMI	: With mixing valve.
SMI	: Without mixing valve.
PUISS	: Power of th appliance.
PN	: Appliance with normal pression.
LP	: Appliance with low pression.
PV	: Appliance with variable power.
PF	: Appliance with fixed power..

IDENTIFICATION PLATE

SERIAL NUMBER

Ex: 03 09 08 (Until 12/06)
 Manufacturing day
 Month of manufacture : from 1 to 12 → January to December
 Year of manufacture

OR
 Ex: 02 11 00001 007843
 Product reference
 Sequential number
 Month of manufacture
 Year of manufacture

Ex: 3200050 XX 070115 0000001 (From 01/07)
 Sequential number
 Year (07) / Month (01) / Manufacture day (15)
 Product reference

The indications mentioned on the prices, commercial or technical literature and the scheme are written for your guidance and are available at a given time. The CONSTRUCTOR retains the power to modify the presentation, the form, the size, the conception or the material of the products.