



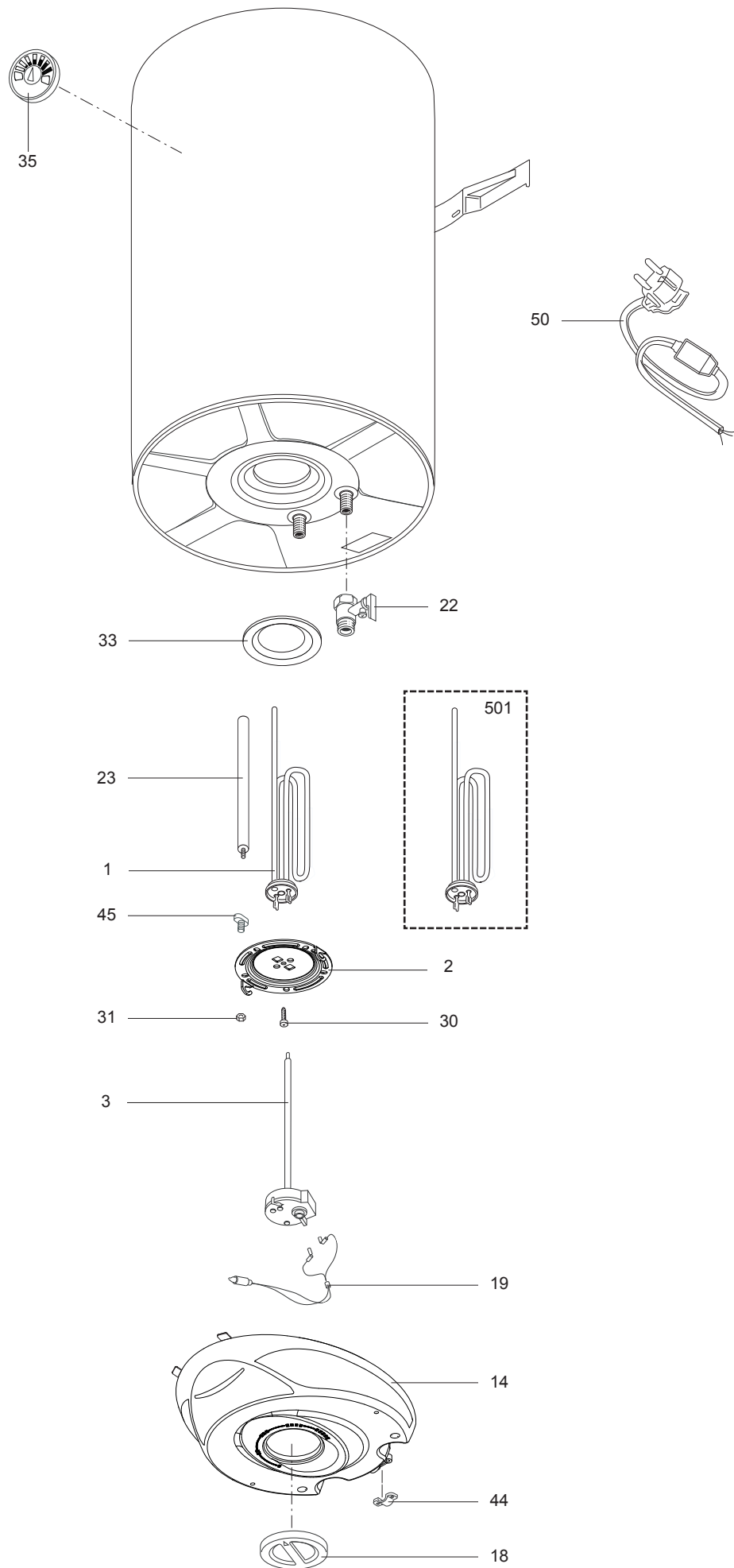
SPARE PARTS EXPLODED VIEW  
STORAGE ELECTRIC WATER HEATERS  
Model  
**ABS BLU R V SLIM OPTIMA**

R8217032-02 - 28/03/2014

ABS BLU R V SLIM OPTIMA

Storage Electric Water Heaters

1	3700394	ABS BLU R 40 V SLIM OPTIMA	03-2014	-
Col	Reference	Model type	Begin	End



☺➞	Description	Manf. Pt. N	Type	40																		31	
				1	2	3	4	5	6	7	8	9	10	11	12	13	14	15	16	17	18	From	to

0001	НАГРЕВАТЕЛЬНЫЙ ЭЛЕМЕНТ 1200W 220-240V	65111787		•																																				
0002	ФЛАНЕЦ НА 5 БОЛТАХ	65111789		•																																				
0003	ТЕРМОСТАТ	65180106		•																																				
0014	КРЫШКА ПЛАСТИКОВАЯ	65180057		•																																				
0018	РУЧКА РЕГУЛИРОВАНИЯ	65180058		•																																				
0019	ИНДИКАТОРНАЯ ЛАМПА	993025-RU		•																																				
0022	ПРЕДОХРАНИТЕЛЬНЫЙ КЛАПАН (1/2" 8,5 BAR)	571730		•																																				
0023	МАГНИЕВЫЙ АНОД D:21,3 L:180 M5	65180015		•																																				
0030	ВИНТ M6X12	993000		•																																				
0031	ГАЙКА M6	994140		•																																				
0033	ПРОКЛАДКА ФЛАНЦА	65111788		•																																				
0035	ТЕРМОМЕТР	976188		•																																				
0044	ЗАЖИМ ДЛЯ КАБЕЛЯ	573266		•																																				
0045	ВИНТ M6X20	65151225		•																																				
0050	КАБЕЛЬ ПИТАНИЯ С УЗО	65150868-RU		•																																				
<b>0500</b>	<b>АКСЕССУАРЫ</b>																																							
0501	НАГРЕВАТЕЛЬНЫЙ ЭЛЕМЕНТ 1200W 220-240V	65114096		•																																				

ABS BLU R V SLIM OPTIMA

Storage Electric Water Heaters

## LIST OF THE ABBREVIATIONS

HW .....	: Hot water.
CW .....	: Cold water.
C .....	: Ceramic resistance (normal heating).
Ca .....	: Ceramic resistance (accelerated heating)
TP .....	: Immersion heater.
1F .....	: With fittings.
2F .....	: Without fittings.
3F .....	: With fittings and another outlet connection.
AMI .....	: With mixing valve.
SMI .....	: Without mixing valve.
PUISS .....	: Power of th appliance.
PN .....	: Appliance with normal pression.
LP .....	: Appliance with low pression.
PV .....	: Appliance with variable power.
PF .....	: Appliance with fixed power.

## IDENTIFICATION PLATE

### SERIAL NUMBER

**6 Characters :**  
 Year of manufacture 03 09 08 Manufacturing day  
 Month of manufacture

**9 Characters :**  
 Year of manufacture M 12 10 0606 Sequential number  
 Month of manufacture

**14 Characters :**  
 SI-V-0B0 45 07 0001  
 Sequential number  
 Year of manufacture : 6 → 2004  
 Month of manufacture : → 25 → January 43 → July 7 → 2005  
 13 → February 29 → August 8 → 2006  
 32 → March 40 → September etc ...  
 35 → April 38 → October  
 39 → May 51 → November  
 45 → June 12 → December

**15 Characters :**  
 Year of manufacture 02 11 00001 007843 Code appareil  
 Month of manufacture Sequential number

**21 Characters :**  
 Product reference 3200050 XX 08115 0000001 Sequential number  
 Year (08) / Manufacturing day (115)

**22 Characters :**  
 Product reference 3200050 XX 070115 0000001 Sequential number  
 Year (07) / Month (01) / Manufacturing day (15)