

# SPARE PARTS EXPLODED VIEW GAS-WALL CONDENSING BOILERS

Model

## **NIAGARA C GREEN**

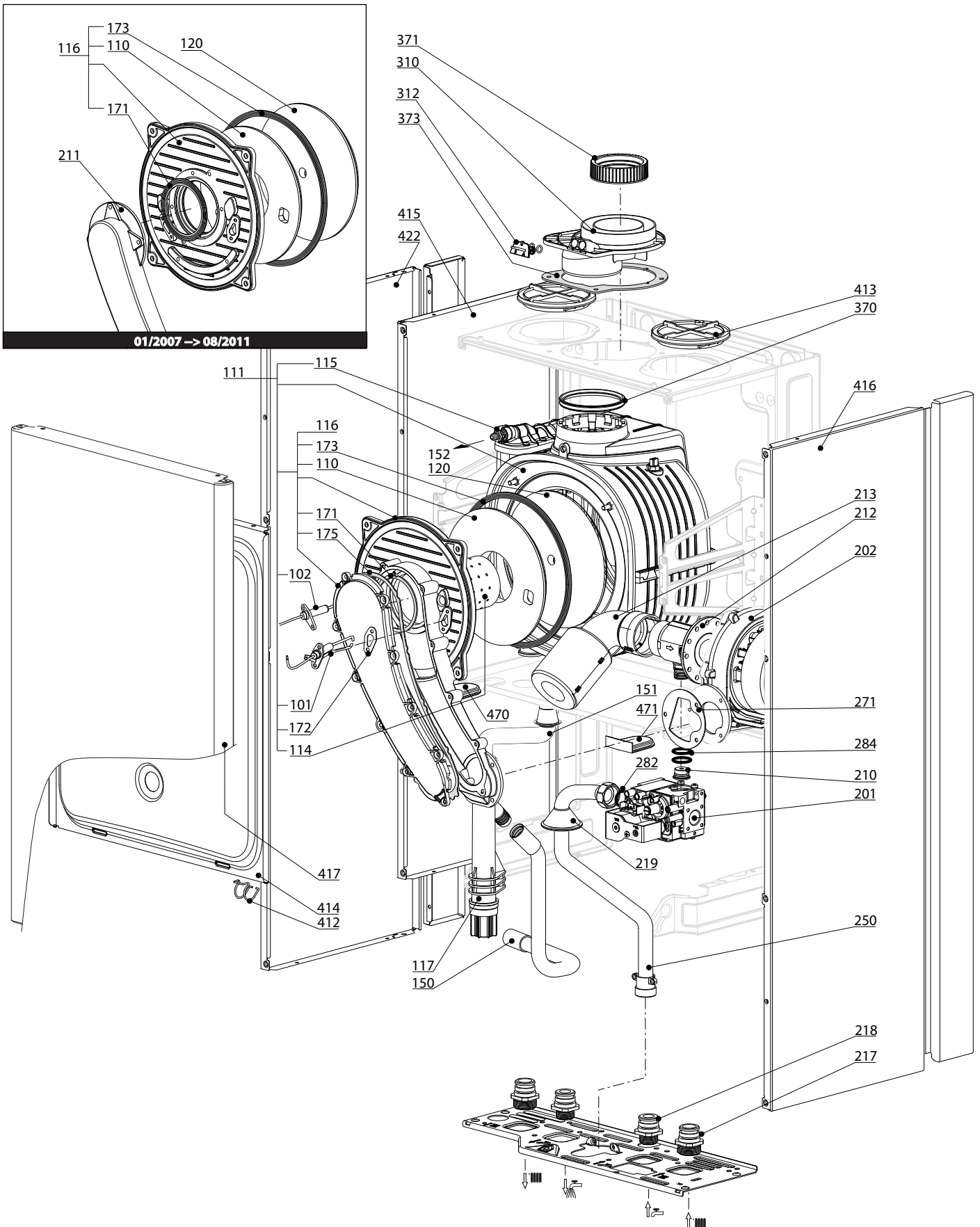
R8203260-04 - 26/10/2016

1	3650321	NIAGARA C GREEN 25 HMO	11-2008	06-2010
1	3650326	NIAGARA C GREEN 25 EE	11-2008	06-2010
1	3310072	NIAGARA C GREEN 25	06-2010	08-2015
2	3650322	NIAGARA C GREEN 35 HMO	11-2008	06-2010
2	3650327	NIAGARA C GREEN 35 EE	12-2008	09-2011
2	3310073	NIAGARA C GREEN 35	06-2010	08-2015
Col	Reference	Model type	Begin	End

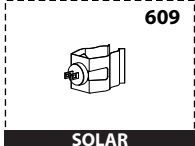
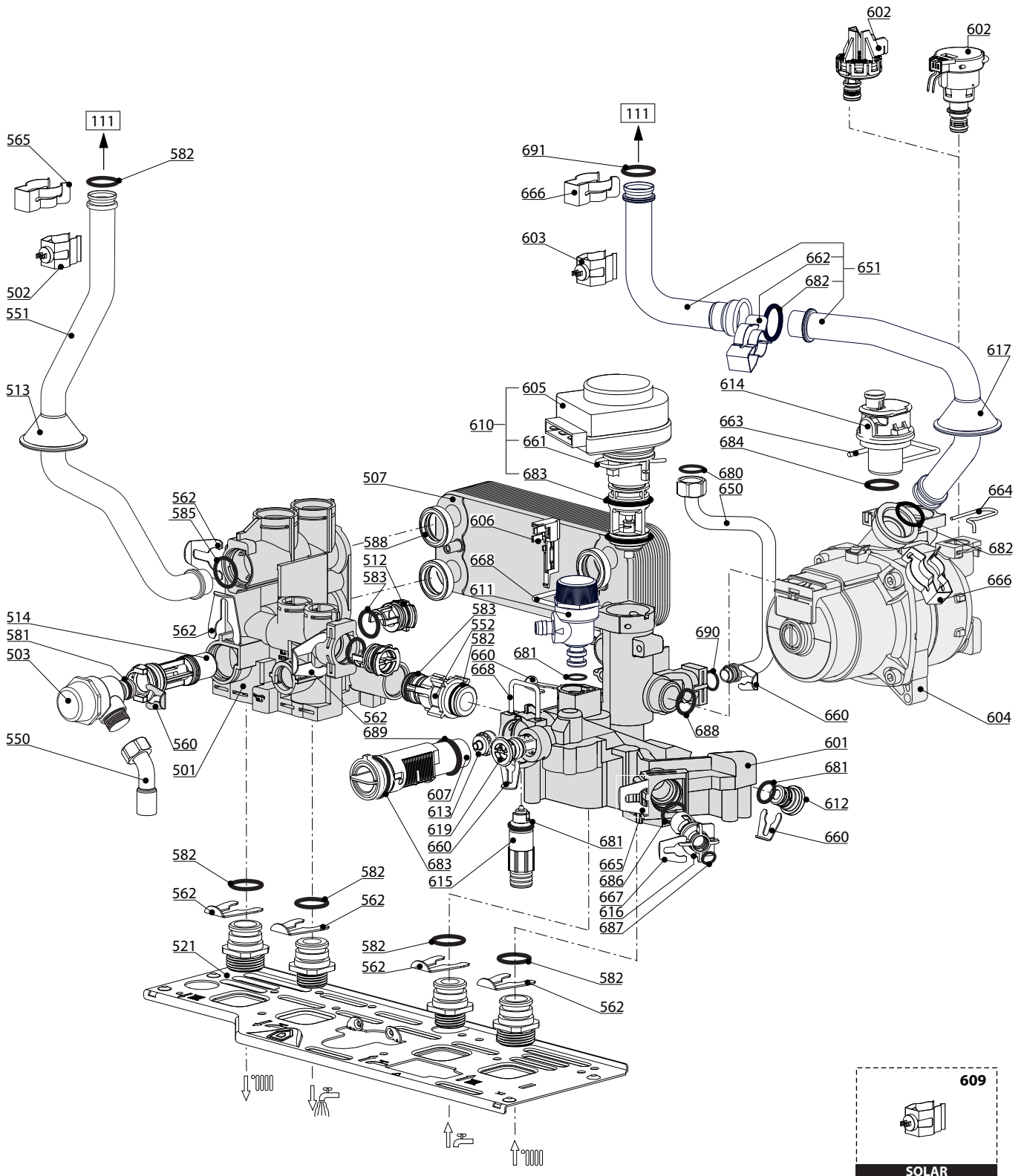
100  
200  
300  
400

NIAGARA C GREEN

Gas-wall condensing boilers





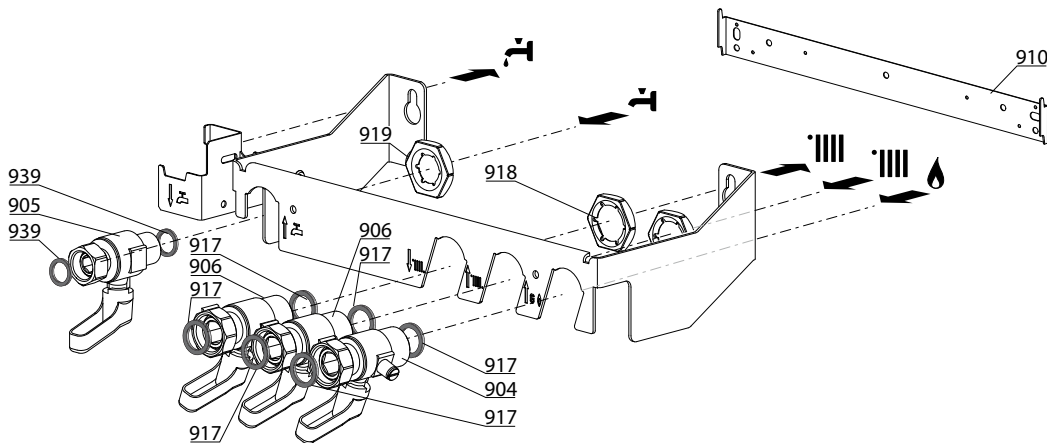
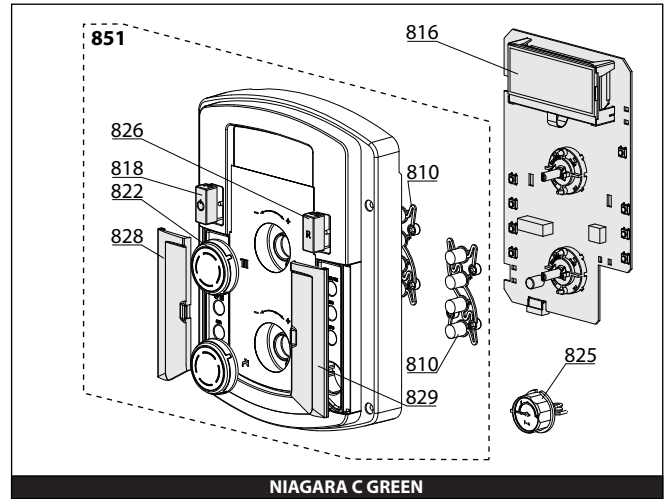
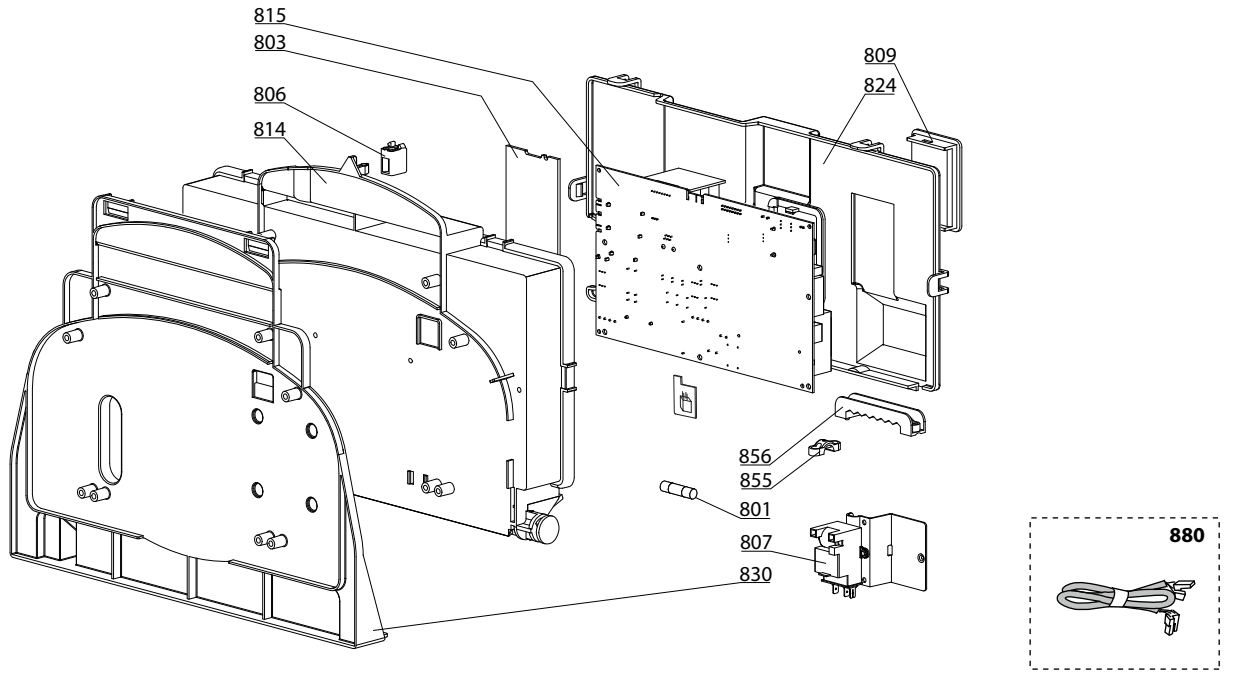


☉⇒	Description	Manf. Pt. N	Type	<div style="display: flex; justify-content: space-between; align-items: center;"> <div style="transform: rotate(-45deg); font-size: small;">           NIAGARA C GREEN 25            NIAGARA C GREEN 35         </div> <div style="border: 1px solid black; padding: 2px;"> </div> </div>																		From	to
				1	2	3	4	5	6	7	8	9	10	11	12	13	14	15	16	17	18		
<b>0500</b>	<b>FLOW GROUP</b>																						
0501	FLOW GROUP KIT	60002319		•	•																		
0502	TEMPERATURE PROBE + CLIP	990686-01		•	•																		
0503	PRESSURE RELIEF VALVE (3 BAR)	61312668		•	•																		
0507	SANITARY HEAT EXCHANGER (16 P.)	65104333		•	•																		
0512	PLUG	65104445		•	•																		
0513	GROMMET	61010109		•	•																		
0514	BY-PASS	65104336		•	•																		
0521	HYDRAULIC GROUP SUPPORT	60001375		•	•																		
0550	PIPE (SAFETY VALVE)	65104447		•	•																		
0551	PIPE (C.H. FLOW)	60000859		•																			
	PIPE (C.H. FLOW)	60000981			•																		
0552	BY-PASS PIPE	65104340		•	•																		
0560	CLIP Ø 10	65104260		•	•																		
0562	CLIP D:18	65104259		•	•																		
0565	CLIP	60000309		•	•																		
0581	O-RING 17.96X2.62	65104337		•	•																		
0582	O-RING 17.86X2.62	61308091		•	•																		
0583	O-RING 15.54X2.62	65104325		•	•																		
0585	O-RING 17.04X3.53	65104262		•	•																		
0588	EXCHANGER GASKET	65104334		•	•																		
<b>0600</b>	<b>RETURN GROUP</b>																						
0601	RETURN GROUP	60000874		•	•																		
0602	PRESSURE SWITCH (PROPORTIONAL)	65104321		•	•																		
0603	TEMPERATURE PROBE + CLIP	990686-01		•	•																		
0604	PUMP 6M 2V WILO	60000591	WILO	•	•																		
0605	MOTOR (3-WAY VALVE)	61302483-01		•	•																		
0606	SENSOR (REED)	65104323		•	•																		
0607	FLOW METER	60000870		•	•																		
0609	TEMPERATURE PROBE + CLIP	65105079		•	•																		
0610	MOTOR + SPRING 3 WAY VALVE KIT	60001583-01		•	•																		
0611	PRESSURE RELIEF VALVE (7 BAR)	60000171		•	•																		
0612	PLUG	65104377		•	•																		
0613	RIDUCTORS (KIT)	65104318		•	•																		
0614	AUTO AIR VENT WITH O-RING WILO	65104703	WILO	•	•																		
0615	KIT DRAIN SCREW	60001385		•	•																		
0616	WATER FILTER	60001372		•	•																		
0617	GROMMET	61010109		•	•																		
0619	PLUG	65104377		•	•																		
0650	PIPE (EXPANSION VESSEL)	60001247		•	•																		
0651	PIPE (C.H. RETURN)	60000857		•	•																		
0660	CLIP Ø 10	65104260		•	•																		
0661	CLIP	65104332		•	•																		
0662	CLIP	61307589		•	•																		
0663	U-CLIP	65104704		•	•																		
0664	CLIP	65104322		•	•																		
0665	CLIP	65104331		•	•																		
0666	CLIP	60000309		•	•																		
0667	CLIP	65100680		•	•																		
0668	CLIP	65104316		•	•																		
0680	GASKET 3/8"	573521		•	•																		
0681	O-RING 9.19X2.62	65104313		•	•																		
0682	O-RING 17.04X3.53	65104262		•	•																		
0683	O-RING 23.47X2.62	65104315		•	•																		
0684	O-RING 3X35 EPDM 75 SH	65104705		•	•																		
0686	O-RING 15.54X2.62	65104325		•	•																		
0687	O-RING 5.7X1.9	61009834-10		•	•																		
0688	O-RING 21.89X2.62	65104320		•	•																		
0689	O-RING 17.17X1.78	65104303		•	•																		
0690	O-RING 8.9X2.7	61009834-14		•	•																		
0691	O-RING 17.86X2.62	61308091		•	•																		









<p><b>5001</b>                  Transf. gaz &gt; GPL                  Conv. gas &gt; GPL                  Trasn. gas &gt; GPL                  Transf. gas &gt; GPL</p>	<p><b>5002</b>                  Transf. gaz &gt; Nat                  Conv. gas &gt; Nat                  Trasn. gas &gt; Met                  Transf. gas &gt; Met</p>	<p><b>5020</b>                  Options                  Accessories                  Opzioni                  Accessorio</p>
---	---	---





## LIST OF THE ABBREVIATIONS

HW .....	: Hot water.
CW .....	: Cold water.
C .....	: Ceramic resistance (normal heating).
Ca .....	: Ceramic resistance (accelerated heating)
TP .....	: Immersion heater.
1F .....	: With fittings.
2F .....	: Without fittings.
3F .....	: With fittings and another outlet connection.
AMI .....	: With mixing valve.
SMI .....	: Without mixing valve.
PUISS .....	: Power of th appliance.
PN .....	: Appliance with normal pression.
LP .....	: Appliance with low pression.
PV .....	: Appliance with variable power.
PF .....	: Appliance with fixed power.

## IDENTIFICATION PLATE

### SERIAL NUMBER

<b>10 Characters :</b>	04 05 125 011	Sequential number
		Manufacturing day
		Year of manufacture
<b>11 Characters :</b>	1 95 065004 - 31	Technical number of the appliance
Month of manufacture :		Sequential number
from 1 to 9 → Jan. to Sep.,		Year of manufacture
O → Oct., N → Nov.,		
D → Dec.		
<b>19 Characters :</b>	08 05 0013199 900640031	Product reference
Year of manufacture		Sequential number
Month of manufacture		
<b>20 Characters :</b>	3675007 XX 2 07 070 00315	Sequential number
Product reference		Manufacturing day
Millenium of manufacture		Year of manufacture
<b>21 Characters :</b>	3675007 XX 07 070 0000315	Sequential number
Product reference		Manufacturing day
Year of manufacture		