



SPARE PARTS EXPLODED VIEW  
STORAGE ELECTRIC WATER HEATERS

Model

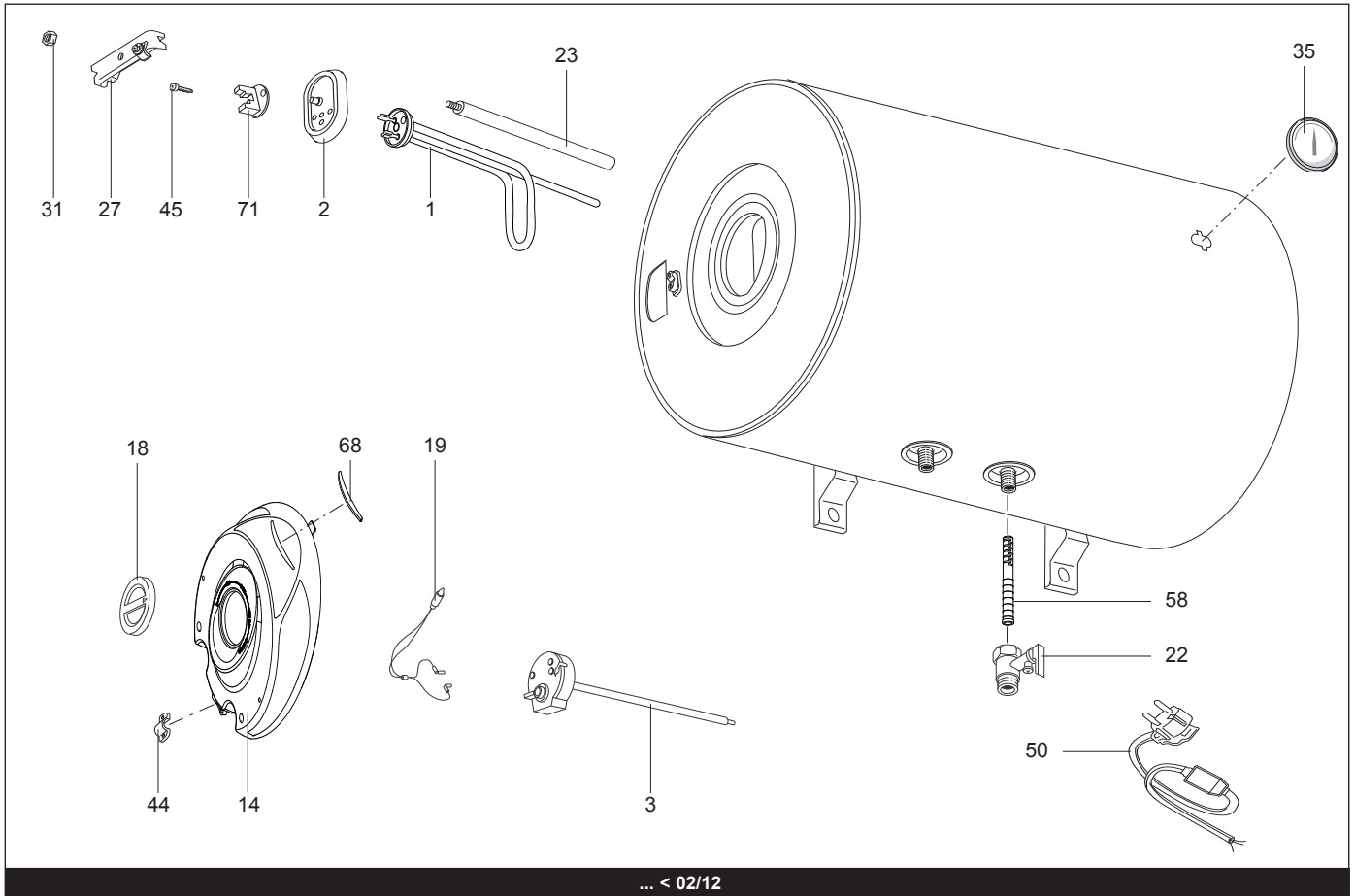
**ABS PRO R H**

R8216499-04 - 03/02/2015

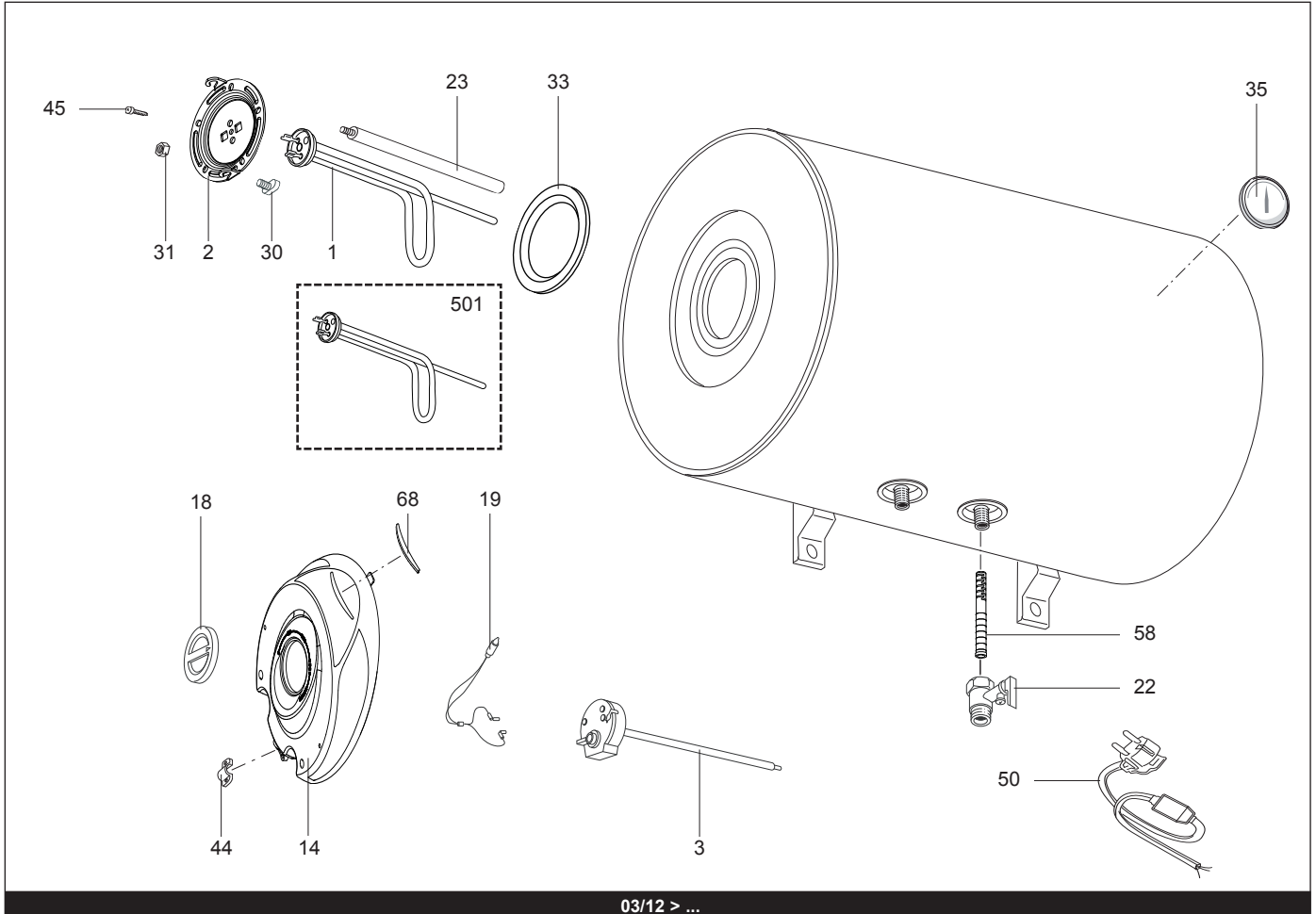
ABS PRO R H

Storage Electric Water Heaters

|     |           |                 |         |         |
|-----|-----------|-----------------|---------|---------|
| 1   | 3700245   | ABS PRO R 80 H  | 11-2011 | 06-2013 |
| 2   | 3700410   | ABS PRO R 80 H  | 02-2015 | -       |
| 3   | 3700246   | ABS PRO R 100 H | 11-2011 | 06-2013 |
| Col | Reference | Model type      | Begin   | End     |



... < 02/12



03/12 > ...

| ☉⇒          | Description                             | Manf. Pt. N | Type | ABS PRO R 80 H (3700245)<br>ABS PRO R 80 H (3700410)<br>ABS PRO R 100 H |   |   |   |   |   |   |   |   |    |    |    |    |    | 31 |    |    |    |       |
|-------------|---|-------------|------|---|---|---|---|---|---|---|---|---|----|----|----|----|----|----|----|----|----|-------|
|             |   |             |      | 1   | 2 | 3 | 4 | 5 | 6 | 7 | 8 | 9 | 10 | 11 | 12 | 13 | 14 | 15 | 16 | 17 | 18 | From  |
| 0001        | НАГРЕВАТЕЛЬНЫЙ ЭЛЕМЕНТ 1500W 220-240V   | 65100746    |      | •   |   | • |   |   |   |   |   |   |    |    |    |    |    |    |    |    |    | 02/12 |
|             | НАГРЕВАТЕЛЬНЫЙ ЭЛЕМЕНТ 1500W 228V       | 65111871    |      |   | • |   |   |   |   |   |   |   |    |    |    |    |    |    |    |    |    |       |
|             | НАГРЕВАТЕЛЬНЫЙ ЭЛЕМЕНТ 1500W 228V       | 65111871    |      | •   |   | • |   |   |   |   |   |   |    |    |    |    |    |    |    |    |    | 03/12 |
| 0002        | ФЛАНЕЦ НА 5 БОЛТАХ                      | 65111789    |      |   | • |   |   |   |   |   |   |   |    |    |    |    |    |    |    |    |    |       |
|             | ФЛАНЕЦ НА 5 БОЛТАХ                      | 65111789    |      | •   |   | • |   |   |   |   |   |   |    |    |    |    |    |    |    |    |    | 03/12 |
|             | ФЛАНЕЦ С ПРОКЛАДКОЙ                     | 65108275    |      | •   |   | • |   |   |   |   |   |   |    |    |    |    |    |    |    |    |    | 02/12 |
| 0003        | ТЕРМОСТАТ                               | 691217      |      | •   | • | • |   |   |   |   |   |   |    |    |    |    |    |    |    |    |    |       |
| 0014        | КРЫШКА ПЛАСТИКОВАЯ                      | 65108467    |      | •   |   | • |   |   |   |   |   |   |    |    |    |    |    |    |    |    |    | 02/12 |
|             | КРЫШКА ПЛАСТИКОВАЯ                      | 65180061    |      |   | • |   |   |   |   |   |   |   |    |    |    |    |    |    |    |    |    |       |
|             | КРЫШКА ПЛАСТИКОВАЯ                      | 65180061    |      | •   |   | • |   |   |   |   |   |   |    |    |    |    |    |    |    |    |    | 03/12 |
| 0018        | РУЧКА РЕГУЛИРОВАНИЯ                     | 65102598    |      | •   | • | • |   |   |   |   |   |   |    |    |    |    |    |    |    |    |    |       |
| 0019        | ИНДИКАТОРНАЯ ЛАМПА                      | 993025      |      | •   | • | • |   |   |   |   |   |   |    |    |    |    |    |    |    |    |    |       |
| 0022        | ПРЕДОХРАНИТЕЛЬНЫЙ КЛАПАН (1/2" 7 БАР)   | 65109003    |      | •   |   | • |   |   |   |   |   |   |    |    |    |    |    |    |    |    |    | 02/12 |
|             | ПРЕДОХРАНИТЕЛЬНЫЙ КЛАПАН (1/2" 8,5 БАР) | 571730      |      |   | • |   |   |   |   |   |   |   |    |    |    |    |    |    |    |    |    |       |
|             | ПРЕДОХРАНИТЕЛЬНЫЙ КЛАПАН (1/2" 8,5 БАР) | 571730      |      | •   |   | • |   |   |   |   |   |   |    |    |    |    |    |    |    |    |    | 03/12 |
| 0023        | МАГНИЕВЫЙ АНОД D:25,5 L:230 M5-M8       | 993014-01   |      | •   | • | • |   |   |   |   |   |   |    |    |    |    |    |    |    |    |    |       |
| 0027        | СКОБА ФЛАНЦА                            | 993011      |      | •   |   | • |   |   |   |   |   |   |    |    |    |    |    |    |    |    |    | 02/12 |
| 0030        | ВИНТ M6X20                              | 65151225    |      |   | • |   |   |   |   |   |   |   |    |    |    |    |    |    |    |    |    |       |
|             | ВИНТ M6X20                              | 65151225    |      | •   |   | • |   |   |   |   |   |   |    |    |    |    |    |    |    |    |    | 03/12 |
| 0031        | ГАЙКА M6                                | 994140      |      |   | • |   |   |   |   |   |   |   |    |    |    |    |    |    |    |    |    |       |
|             | ГАЙКА M6                                | 994140      |      | •   |   | • |   |   |   |   |   |   |    |    |    |    |    |    |    |    |    | 03/12 |
|             | ГАЙКА M8                                | 570127      |      | •   |   | • |   |   |   |   |   |   |    |    |    |    |    |    |    |    |    | 02/12 |
| 0033        | ПРОКЛАДКА ФЛАНЦА                        | 65111788    |      |   | • |   |   |   |   |   |   |   |    |    |    |    |    |    |    |    |    |       |
|             | ПРОКЛАДКА ФЛАНЦА                        | 65111788    |      | •   |   | • |   |   |   |   |   |   |    |    |    |    |    |    |    |    |    | 03/12 |
| 0035        | ТЕРМОМЕТР                               | 65108466    |      | •   | • | • |   |   |   |   |   |   |    |    |    |    |    |    |    |    |    |       |
| 0044        | ЗАЖИМ ДЛЯ КАБЕЛЯ                        | 993154      |      | •   |   | • |   |   |   |   |   |   |    |    |    |    |    |    |    |    |    | 02/12 |
|             | ЗАЖИМ ДЛЯ КАБЕЛЯ                        | 573266      |      |   | • |   |   |   |   |   |   |   |    |    |    |    |    |    |    |    |    |       |
|             | ЗАЖИМ ДЛЯ КАБЕЛЯ                        | 573266      |      | •   |   | • |   |   |   |   |   |   |    |    |    |    |    |    |    |    |    | 03/12 |
| 0045        | ВИНТ M6X12                              | 993000      |      | •   | • | • |   |   |   |   |   |   |    |    |    |    |    |    |    |    |    |       |
| 0050        | КАБЕЛЬ ПИТАНИЯ С УЗО                    | 65150868    |      | •   | • | • |   |   |   |   |   |   |    |    |    |    |    |    |    |    |    |       |
| 0058        | РАССЕКATEЛЬ ВОДЫ (1/2" H=37)            | 65110979    |      | •   |   | • |   |   |   |   |   |   |    |    |    |    |    |    |    |    |    |       |
|             | РАССЕКATEЛЬ ВОДЫ (1/2" H=37)            | 65114649    |      |   | • |   |   |   |   |   |   |   |    |    |    |    |    |    |    |    |    |       |
| 0068        | КРЫШКА ИНДИКАТОРНОЙ ЛАМПЫ               | 65108468    |      | •   |   | • |   |   |   |   |   |   |    |    |    |    |    |    |    |    |    |       |
| 0071        | ИЗОЛЯТОР КЛЕММ ТЭНА (NEUTRAL)           | 993010      |      | •   |   | • |   |   |   |   |   |   |    |    |    |    |    |    |    |    |    | 02/12 |
| <b>0500</b> | <b>АКСЕССУАРЫ</b>                       |             |      |   |   |   |   |   |   |   |   |   |    |    |    |    |    |    |    |    |    |       |
| 0501        | НАГРЕВАТЕЛЬНЫЙ ЭЛЕМЕНТ 1500W 220-240V   | 65114099    |      |   | • |   |   |   |   |   |   |   |    |    |    |    |    |    |    |    |    |       |
|             | НАГРЕВАТЕЛЬНЫЙ ЭЛЕМЕНТ 1500W 220-240V   | 65114099    |      | •   |   | • |   |   |   |   |   |   |    |    |    |    |    |    |    |    |    | 03/12 |

## LIST OF THE ABBREVIATIONS

- HW ..... : Hot water.
- CW ..... : Cold water.
- C ..... : Ceramic resistance (normal heating).
- Ca ..... : Ceramic resistance (accelerated heating)
- TP ..... : Immersion heater.
- 1F ..... : With fittings.
- 2F ..... : Without fittings.
- 3F ..... : With fittings and another outlet connection.
- AMI ..... : With mixing valve.
- SMI ..... : Without mixing valve.
- PUISS ..... : Power of th appliance.
- PN ..... : Appliance with normal pression.
- LP ..... : Appliance with low pression.
- PV ..... : Appliance with variable power.
- PF ..... : Appliance with fixed power.

## IDENTIFICATION PLATE

### SERIAL NUMBER

**6 Characters :**

Year of manufacture      03 09 08      Manufacturing day  
 Month of manufacture

**9 Characters :**

Year of manufacture      M 12 10 0606      Sequential number  
 Month of manufacture

**14 Characters :**

SI-V-0B0 45 07 0001

Sequential number  
 Year of manufacture : → 6 → 2004  
 Month of manufacture : → 25 → January 43 → July 7 → 2005  
 13 → February 29 → August 8 → 2006  
 32 → March 40 → September etc ...  
 35 → April 38 → October  
 39 → May 51 → November  
 45 → June 12 → December

**15 Characters :**

Year of manufacture      02 11 00001 007843      Code appareil  
 Month of manufacture      Sequential number

**21 Characters :**

3200050 XX 08115 0000001

Product reference      Sequential number  
 Year (08) / Manufacturing day (115)

**22 Characters :**

3200050 XX 070115 0000001

Product reference      Sequential number  
 Year (07) / Month (01) / Manufacturing day (15)

The indications mentioned on the prices, commercial or technical literature and the scheme are written for your guidance and are available at a given time. The CONSTRUCTOR retains the power to modify the presentation, the form, the size, the conception or the material of the products.