



SPARE PARTS EXPLODED VIEW
STORAGE ELECTRIC WATER HEATERS

Model

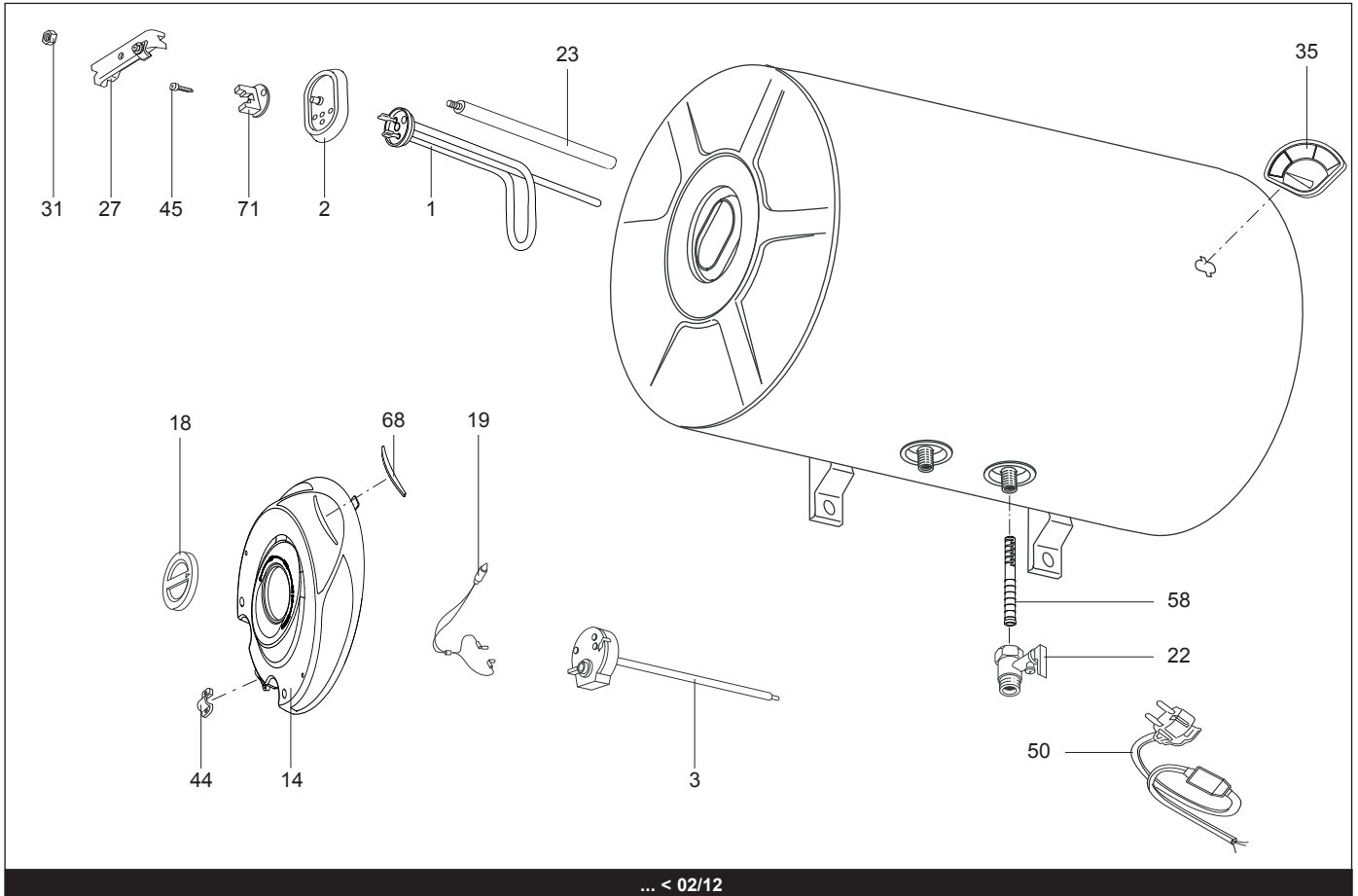
ABS BLU R H SLIM

R8216705-03 - 26/03/2014

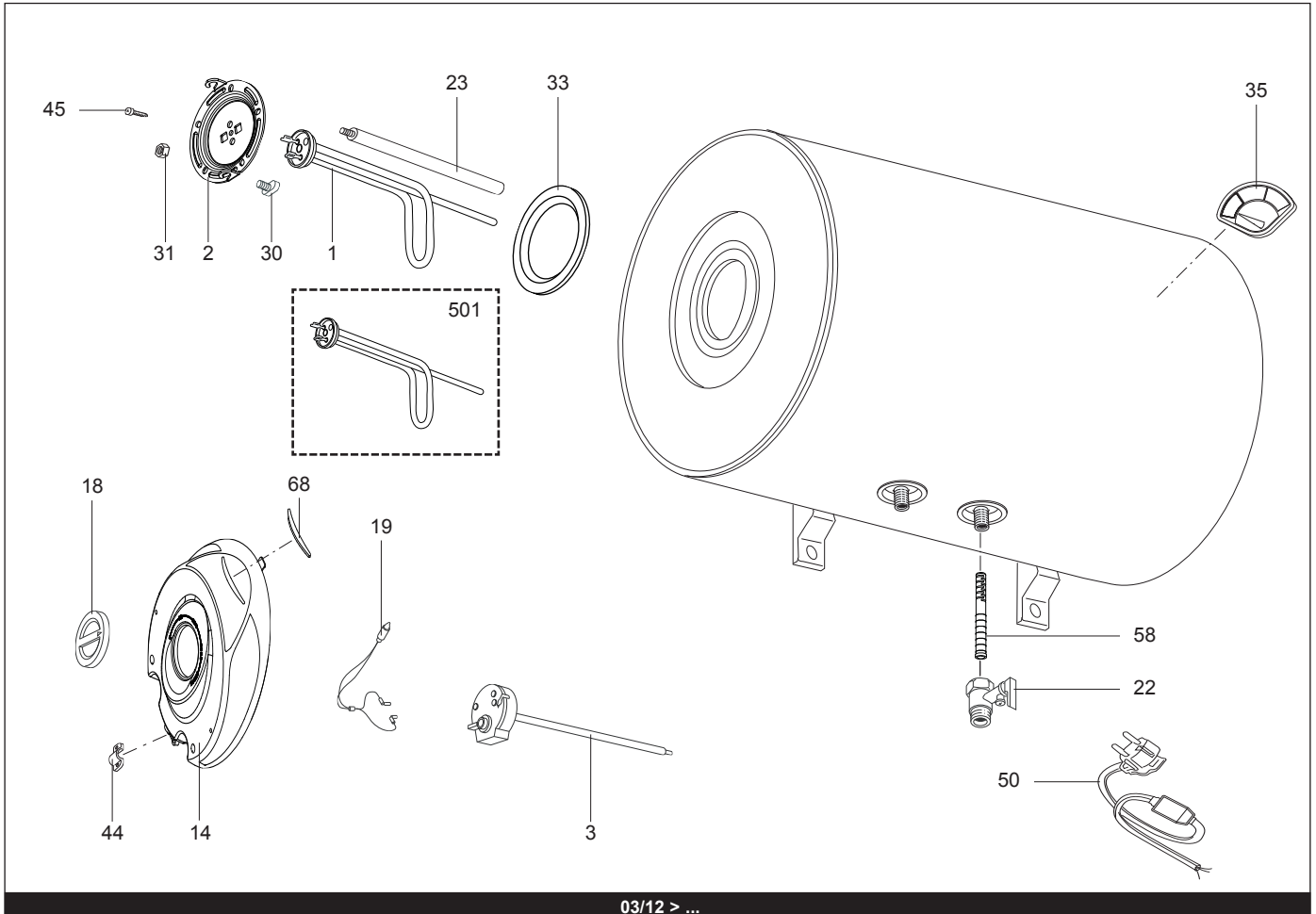
ABS BLU R H SLIM

Storage Electric Water Heaters

1	3700277	ABS BLU R 50 H SLIM	05-2011	02-2013
Col	Reference	Model type	Begin	End



... < 02/12



03/12 > ...

