

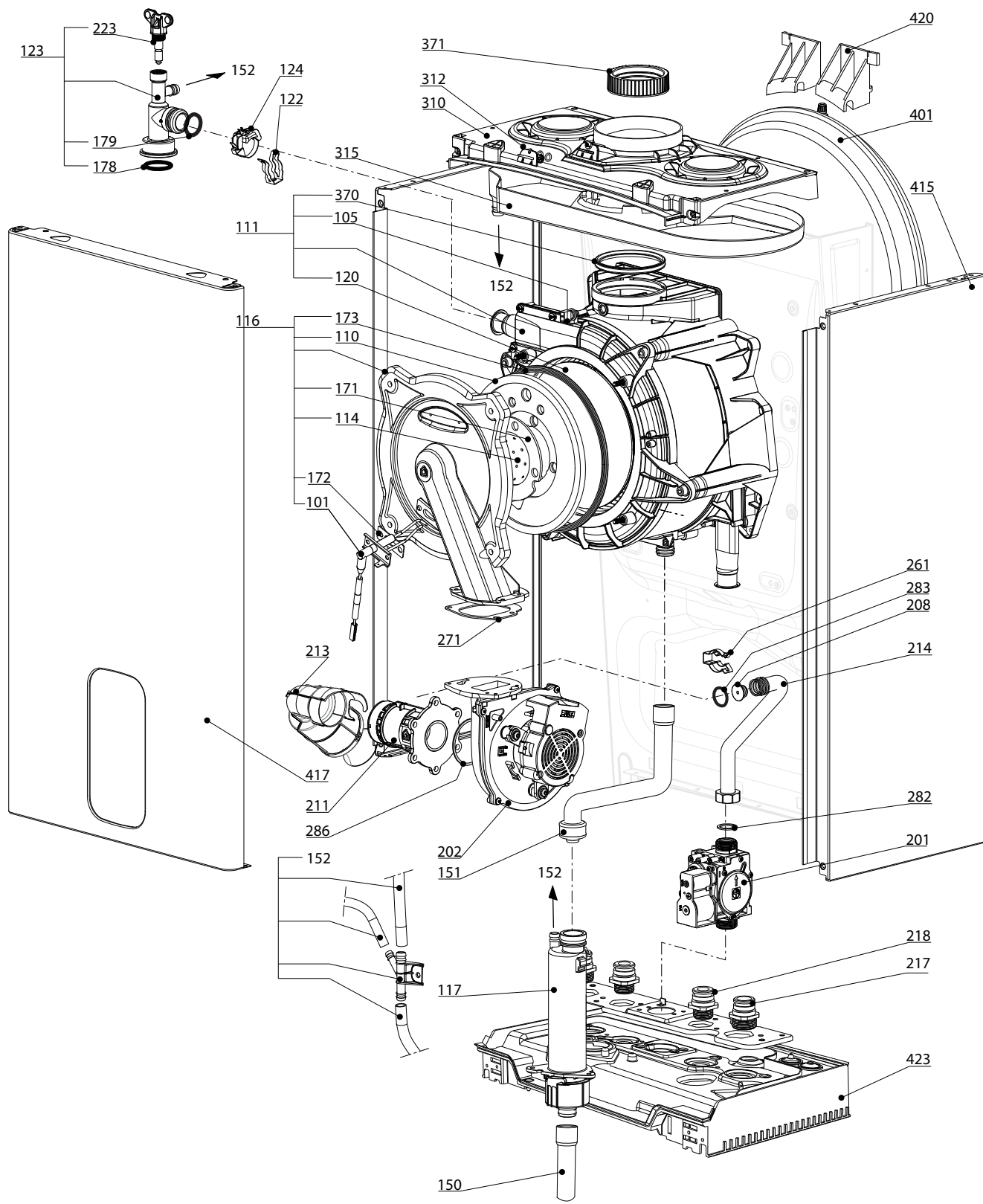
# SPARE PARTS EXPLODED VIEW GAS-WALL CONDENSING BOILERS

Model

## PIGMA ADVANCE

R8203512-02 - 14/06/2018

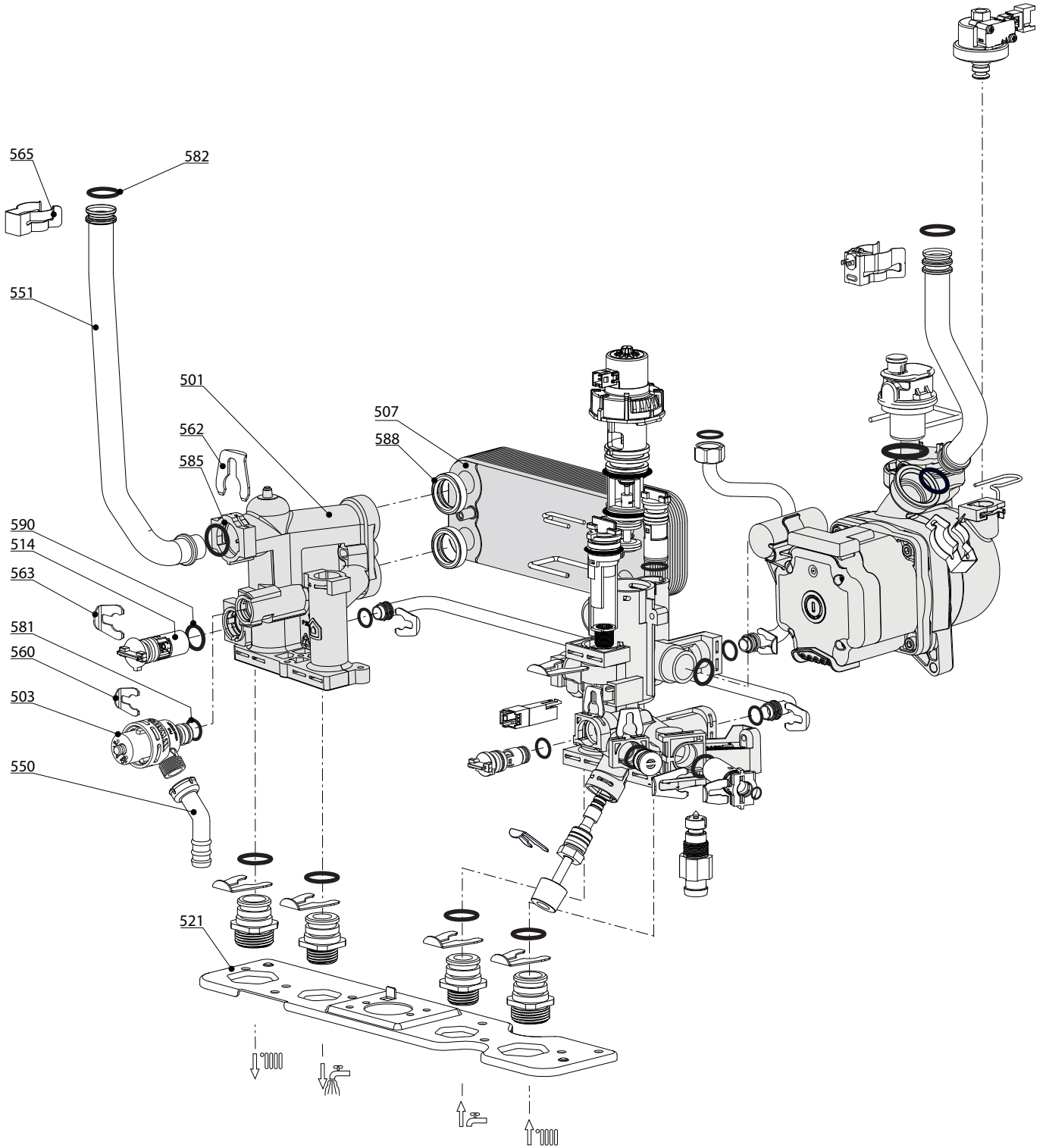
1	3310622	PIGMA ADVANCE 25	05-2018	-
2	3310623	PIGMA ADVANCE 30	05-2018	-
3	3310624	PIGMA ADVANCE 35	05-2018	-
4	3310625	PIGMA ADVANCE 30L	05-2018	-
Col	Reference	Model type	Begin	End



PIGMA ADVANCE 23  
 PIGMA ADVANCE 30  
 PIGMA ADVANCE 35  
 PIGMA ADVANCE 30 L

31

Description	Manf. Pt. N	Type																			From	to
			1	2	3	4	5	6	7	8	9	10	11	12	13	14	15	16	17	18		
<b>0100 BURNER ASSEMBLY</b>																						
0101 IGNITION ELECTRODE	65116595		●	●	●	●																
0110 INSULATION (FRONT PANEL)	65116512		●	●	●	●																
0111 EXCHANGER 24KW	65116695		●																			
EXCHANGER 30KW	65116696			●		●																
EXCHANGER 35KW	65116697					●																
0114 BURNER 24KW	65116596		●																			
BURNER 30kW	65116603			●		●																
BURNER 35KW	65116604					●																
0116 DOOR ASSY	65116515		●	●	●	●																
0117 CONDENSATE TRAP	65117391		●	●	●	●																
0120 PANEL (INSULATION - REAR)	65116047		●	●	●	●																
0122 CLIP	65116517		●	●	●	●																
0123 AIR VENT	65116518		●	●	●	●																
0124 TEMPERATURE PROBE + CLIP	990686-01		●	●	●	●																
0150 TUBE PVC D:19 L:500	60000976		●	●	●	●																
0151 FLEXIBLE PIPE	65116519		●	●	●	●																
0152 CONNECTION Y +TUBES	65117078		●	●	●	●																
0171 GASKET	65116521		●	●	●	●																
0172 GASKET (IGNITION ELECTRODE)	65116263		●	●	●	●																
0173 DOOR GASKET	60000623		●	●	●	●																
0178 O-RING 17.86X2.62	61308091		●	●	●	●																
0179 O-RING 18X2,8	65116846		●	●	●	●																
<b>0200 GAS SECTION</b>																						
0201 GAS VALVE	60002799-01		●	●	●	●																
0202 FAN	65116558		●	●	●	●																
0211 VENTURI 24KW	65116597		●																			
VENTURI 30KW	65116605			●		●																
VENTURI 35KW	65116606					●																
0213 SILENCER	65116598		●	●	●	●																
0214 GAS PIPE 24KW	65116599		●																			
GAS PIPE 30KW	65116607			●		●																
GAS PIPE 35KW	65116608					●																
0217 UNION (3/4»)	65114929		●	●	●	●																
0218 UNION (1/2»)	65114930		●	●	●	●																
0223 DRAIN SCREW	65116528		●	●	●	●																
0261 CLIP	65116529		●	●	●	●																
0271 FAN GASKET	65116530		●	●	●	●																
0282 SHEET GASKET D: 24-18.2-1.5	60022835-01		●	●	●	●																
0283 O-RING 17,86X2,62	60002766		●	●	●	●																
0286 GASKET	60001878		●	●	●	●																
<b>0300 FAN ASSEMBLY</b>																						
0310 CASE COVER ASSY	65116531		●																			
CASE COVER ASSY	65116564			●	●	●																
0312 FLUE INTAKE PLUG	65104295		●	●	●	●																
0315 SPLASH PREVENTER	65116536		●	●	●	●																
0370 SEALING RING 80mm	60002815-01		●	●	●	●																
0371 GASKET	60000316		●	●	●	●																
<b>0400 SEALED CASE</b>																						
0401 EXPANSION VESSEL 10L	65114173					●																
EXPANSION VESSEL 8L	65104261		●	●	●																	
0415 SIDE PANELS LEFT + RIGHT	65117304		●																			
SIDE PANELS LEFT + RIGHT	65117306			●	●	●																
0417 CASE PANEL (FRONT)	65116831		●	●	●	●																
0420 EXPANSION VESSEL SUPPORT 8L	65116534		●	●	●	●																
0423 PLATE WIRE BOX 18-24KW	65117542		●																			
PLATE WIRE BOX 30-35KW	65117543			●	●	●																

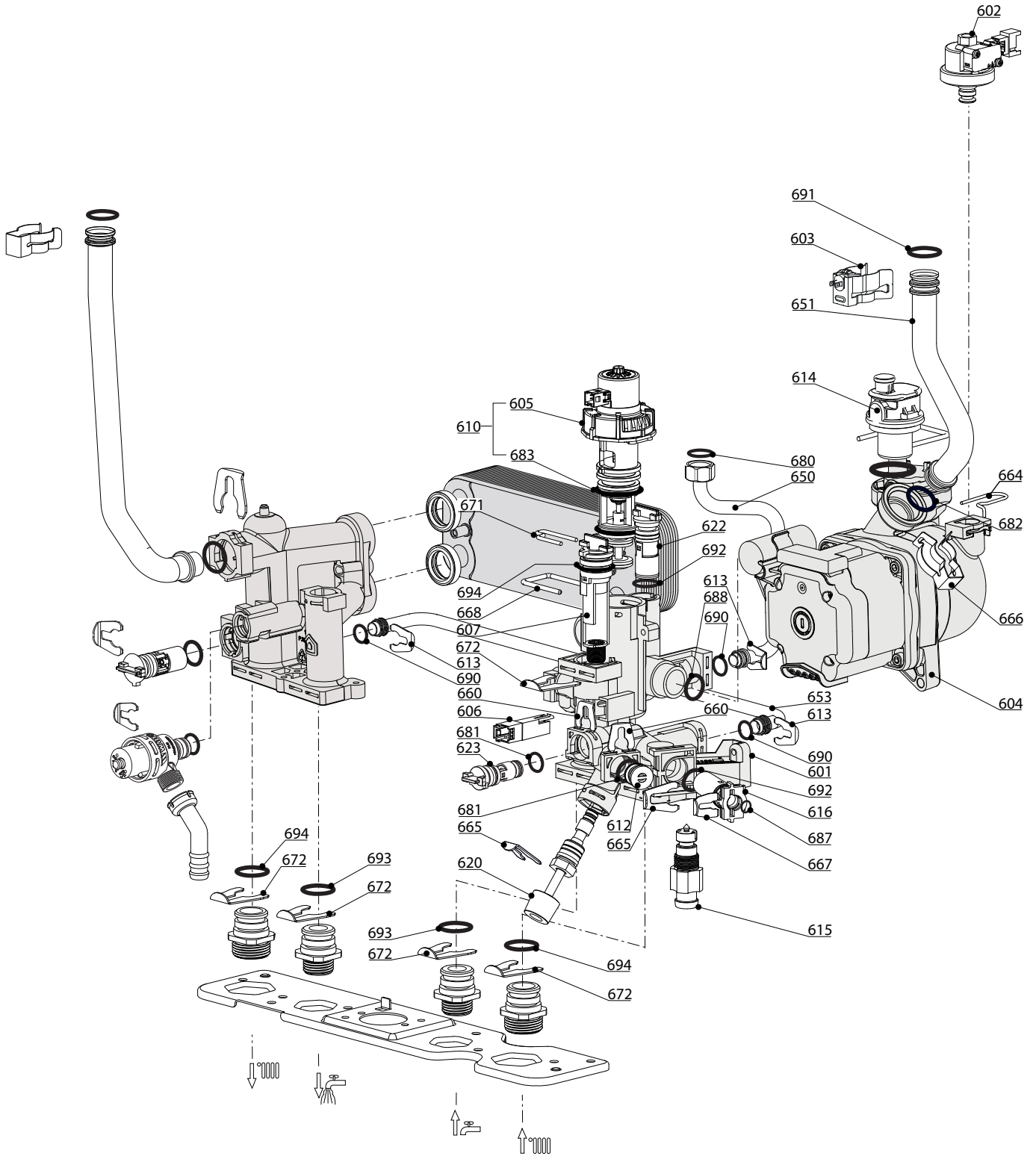


☰	Description	Manf. Pt. N	Type	PIGMA ADVANCE 23 PIGMA ADVANCE 30 PIGMA ADVANCE 35 PIGMA ADVANCE 30 L																		From	to
				1	2	3	4	5	6	7	8	9	10	11	12	13	14	15	16	17	18		



0500	FLOW GROUP																					
0501	FLOW GROUP	65115933		●	●	●	●															06/18
	FLOW GROUP	65117952		●	●	●	●														07/18	
0503	PRESSURE RELIEF VALVE (3 BAR)	61312668		●	●	●	●															
0507	SANITARY HEAT EXCHANGER (12 P.)	65116314		●	●																	
	SANITARY HEAT EXCHANGER (16 P.)	65116537					●	●														
0514	BY-PASS	65114917		●	●	●	●															
0521	HYDRAULIC GROUP SUPPORT	65116538				●	●	●														
0550	PIPE (SAFETY VALVE OUTLET)	60001955		●	●	●	●															
0551	PIPE (C.H. FLOW) 24KW	65116539		●																		
	PIPE (C.H. FLOW) 30KW	65116569				●		●														
	PIPE (C.H. FLOW) 35KW	65116578					●															
0560	CLIP	65114933		●	●	●	●															
0562	CLIP D18	65104259		●	●	●	●															
0563	CLIP	65114932		●	●	●	●															
0565	CLIP	60000309		●	●	●	●															
0581	O-RING 17.96X2.62	65104337		●	●	●	●															
0582	O-RING 17.86X2.62	61308091		●	●	●	●															
0585	O-RING 17.04X3.53	65104262		●	●	●	●															
0588	EXCHANGER GASKET	65114928		●	●	●	●															
0590	O-RING 11.91X2.62	65114940		●	●	●	●															

**PIGMA ADVANCE**  
  
 Gas-wall condensing boilers



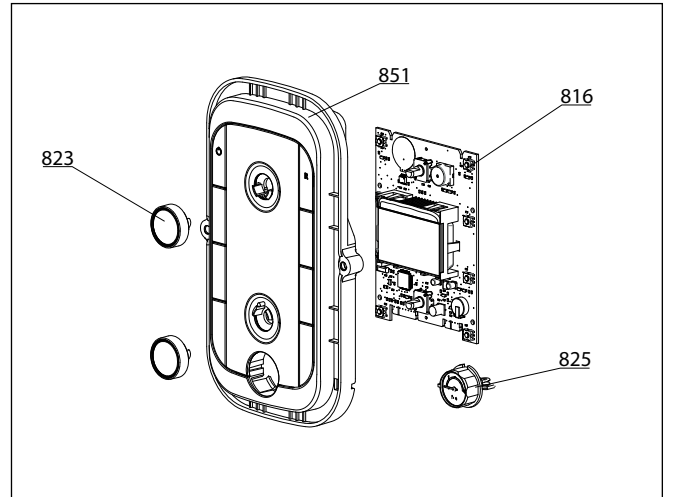
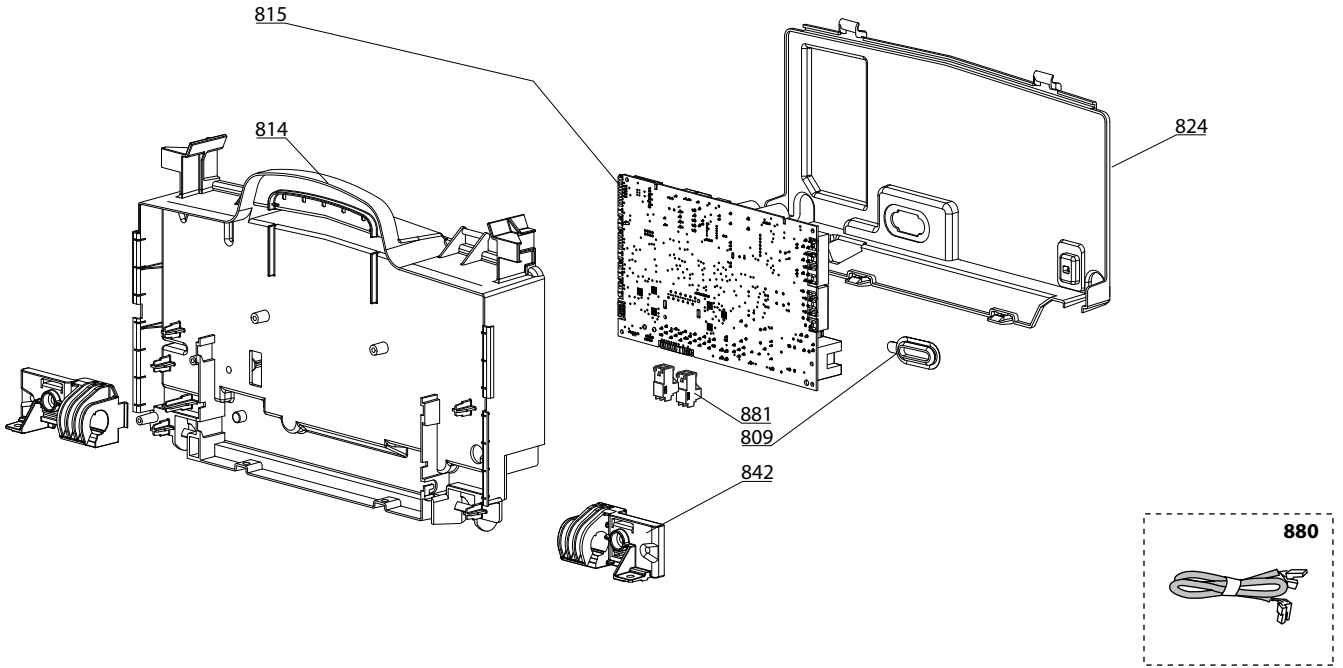
PIGMA ADVANCE 23  
 PIGMA ADVANCE 30  
 PIGMA ADVANCE 35  
 PIGMA ADVANCE 30 L

31

	Description	Manf. Pt. N	Type	PIGMA ADVANCE																		From	to
				1	2	3	4	5	6	7	8	9	10	11	12	13	14	15	16	17	18		
0600	<b>RETURN GROUP</b>																						
0601	RETURN GROUP	65116540		●	●	●	●														06/18		
	RETURN GROUP	65117953		●	●	●	●													07/18			
0602	LOW PRESSURE SWITCH	65115792		●	●	●	●																
0603	TEMPERATURE PROBE + CLIP	990686-01		●	●	●	●																
0604	PUMP 5M PWM TACO	65116908-01	TACO	●	●	●	●																
	PUMP YONOS	60002375	YONOS				●																
0605	MOTOR (3-WAY VALVE)	65114936		●	●	●	●																
0606	SENSOR (REED)	65114921-01		●	●	●	●																
0607	FLOW METER	65114919		●	●	●	●																
0610	MOTOR + SPRING 3 WAY VALVE KIT	65114924		●	●	●	●																
0612	PLUG	65114920		●	●	●	●																
0613	CLIP D10	65104260		●	●	●	●																
0614	AUTO AIR VENT - PANASONIC	65116392	PANA.	●	●	●	●																
	AUTO AIR VENT - TACO ENER+	65112086	TACO	●	●	●	●																
0615	DRAIN COCK	65114922		●	●	●	●																
0616	WATER FILTER	65114923		●	●	●	●																
0620	FILLING TAP KIT	65116541		●	●	●	●																
0622	BY-PASS	65114917		●	●	●	●																
0623	NON-RETURN VALVE	65114918		●	●	●	●																
0650	PIPE (EXPANSION VESSEL)	65116542		●	●	●	●																
0651	PIPE (C.H. RETURN)	65116543		●	●	●	●																
0653	BY-PASS PIPE	65116210		●	●	●	●														06/18		
0660	CLIP	65114933		●	●	●	●																
0664	CLIP	65104322		●	●	●	●																
0665	CLIP	65114932		●	●	●	●																
0666	CLIP	60000309		●	●	●	●																
0667	CLIP	65100680		●	●	●	●																
0668	CLIP	65114927		●	●	●	●																
0671	CLIP	65114926		●	●	●	●																
0672	CLIP	65114931		●	●	●	●																
0680	GASKET 3/8»	573521		●	●	●	●																
0681	O-RING 9.9X2.62	65114937		●	●	●	●																
0682	O-RING 17.04X3.53	65104262		●	●	●	●																
0683	O-RING 23.47X2.62	65114939		●	●	●	●																
0687	O-RING 5.7X1.9	61009834-10		●	●	●	●																
0688	O-RING 21.89X2.62	65104320		●	●	●	●																
0690	O-RING 8.9X2.7	61009834-14		●	●	●	●																
0691	O-RING 17.86X2.62	61308091		●	●	●	●																
0692	O-RING 11.91X2.62	65114940		●	●	●	●																
0693	O-RING 15.88X2.62	65114941		●	●	●	●																
0694	O-RING 17.13X2.62	65114938		●	●	●	●																

PIGMA ADVANCE

Gas-wall condensing boilers



**5020**  
Options  
Accessories  
Opzioni  
Accessorio



PIGMA ADVANCE 23  
PIGMA ADVANCE 30  
PIGMA ADVANCE 35  
PIGMA ADVANCE 30 L

31

	Description	Manf. Pt. N	Type	Wiring Diagram																		
				1	2	3	4	5	6	7	8	9	10	11	12	13	14	15	16	17	18	From
<b>0800</b>	<b>ELECTRICAL BOX</b>																					
0809	GROMMET (REGULATION ACCESS)	998382		●	●	●	●															
0814	CONTROL PANEL COVER (FRONT)	65116544		●	●	●	●															
0815	P.C.B. (MAIN)	65116585-02		●	●	●	●															
0816	P.C.B. (DISPLAY)	60002839		●	●	●	●															
0823	WHITE KNOB	60002840		●	●	●	●															
0824	CONTROL PANEL COVER (REAR)	65116547		●	●	●	●															
0825	PRESSURE GAUGE	60002838		●	●	●	●															
0842	SIDE COVER SUPPORT	65116548		●	●	●	●															
0851	CONTROL PANEL	65117472		●	●	●																
	CONTROL PANEL	65117473					●															
0880	3-WAY VALVE CABLE	65116584		●	●	●	●															
	CABLE (FAN)	65116579		●	●	●	●															
	CABLE (IGNITION ELECTRODE)	65116583		●	●	●	●															
	DISPLAY WIRING - 5 WIRES BLUES	60000746		●	●	●	●															
	EARTH WIRE	65104286		●	●	●	●															
	FEEDER 240V	60001619		●	●	●	●															
	GAS VALVE CABLE	65116590		●	●	●	●															
	NTC CABLE	65116694		●	●	●	●															
	PUMP CABLE TACO	65117069	TACO	●	●	●																
	PUMP CABLE YONOS	65117083	YONOS				●															
0881	CONNECTOR 2P	65111933		●	●	●	●															
	CONNECTOR 3P (x5)	65111934-01		●	●	●	●															
<b>5000</b>	<b>ACCESSORIES</b>																					
5020	FRAME SPREADER	60002378		●	●	●	●															
	RIDUCTORS (KIT)	65116836		●	●	●	●															

## LIST OF THE ABBREVIATIONS

HW .....	: Hot water.
CW .....	: Cold water.
C .....	: Ceramic resistance (normal heating).
Ca .....	: Ceramic resistance (accelerated heating)
TP .....	: Immersion heater.
1F .....	: With fittings.
2F .....	: Without fittings.
3F .....	: With fittings and another outlet connection.
AMI .....	: With mixing valve.
SMI .....	: Without mixing valve.
PUISS .....	: Power of th appliance.
PN .....	: Appliance with normal pression.
LP .....	: Appliance with low pression.
PV .....	: Appliance with variable power.
PF .....	: Appliance with fixed power.

## IDENTIFICATION PLATE

### SERIAL NUMBER

<b>10 Characters :</b>	04 05 125 011	Sequential number
		Manufacturing day
		Year of manufacture
<b>11 Characters :</b>	1 95 065004 - 31	Technical number of the appliance
Month of manufacture :		Sequential number
from 1 to 9 → Jan. to Sep.,		Year of manufacture
O → Oct., N → Nov.,		
D → Dec.		
<b>19 Characters :</b>	08 05 0013199 900640031	Product reference
Year of manufacture		Sequential number
Month of manufacture		
<b>20 Characters :</b>	3675007 XX 2 07 070 00315	Sequential number
Product reference		Manufacturing day
Millenium of manufacture		Year of manufacture
<b>21 Characters :</b>	3675007 XX 07 070 0000315	Sequential number
Product reference		Manufacturing day
Year of manufacture		