

SPARE PARTS EXPLODED VIEW
GAS-WALL BOILER ATM. BURNER

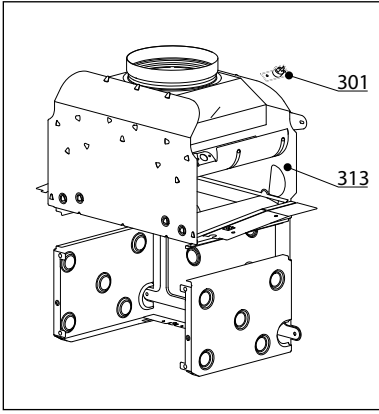
Model

PIGMA ULTRA

R8203479-05 - 11/09/2019

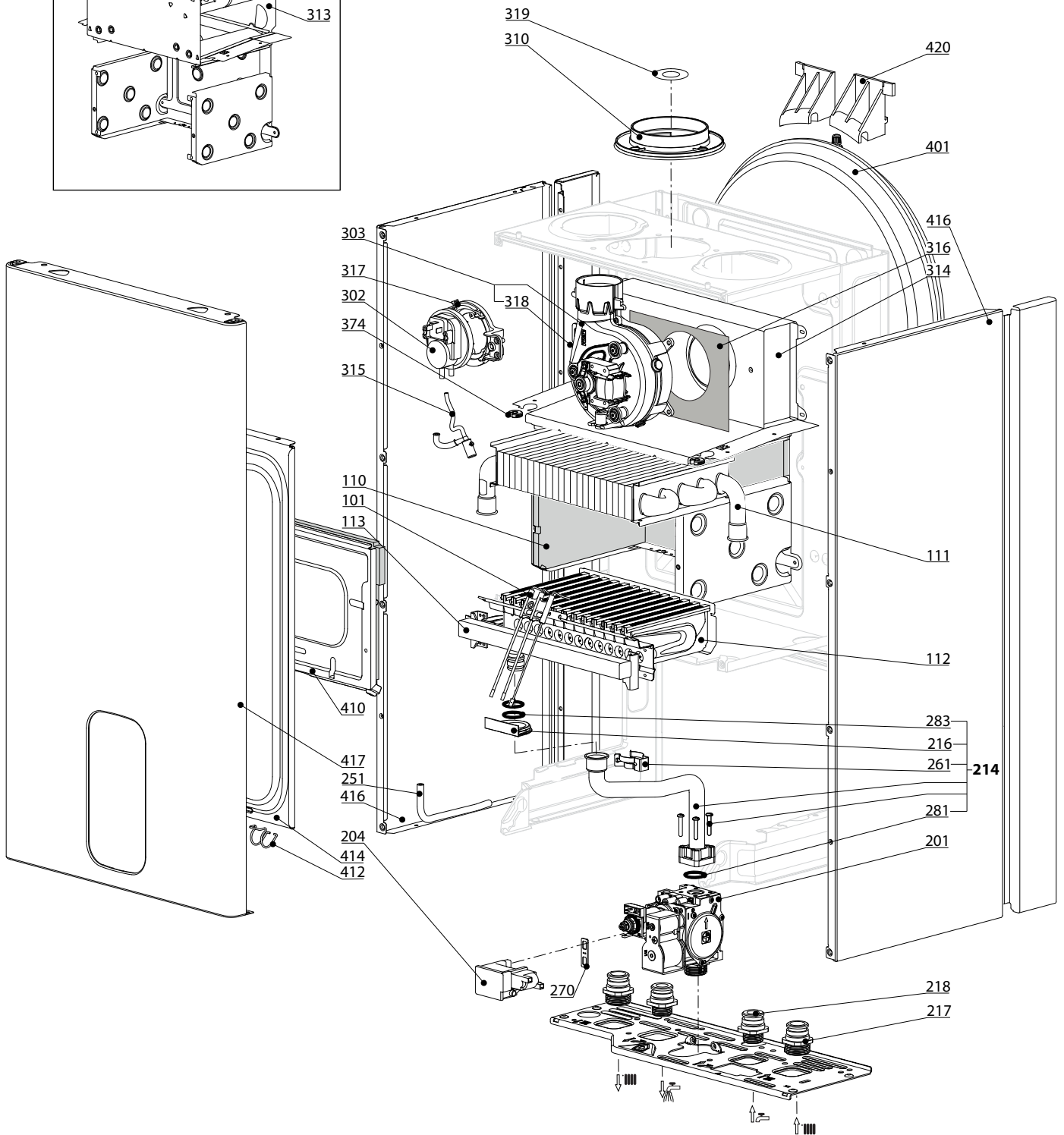
1	3310529	PIGMA ULTRA 25 CF NG	04-2017	-
2	3310531	PIGMA ULTRA 30 CF NG	04-2017	-
3	3310530	PIGMA ULTRA 25 FF NG	04-2017	-
4	3310532	PIGMA ULTRA 30 FF NG	04-2017	-
5	3310533	PIGMA ULTRA 35 FF NG	04-2017	-
6	3310534	PIGMA ULTRA SYSTEM 25 CF NG	04-2017	-
7	3310535	PIGMA ULTRA SYSTEM 25 FF NG	04-2017	-
8	3310536	PIGMA ULTRA SYSTEM 30 FF NG	04-2017	-
9	3310537	PIGMA ULTRA SYSTEM 35 FF NG	04-2017	-
Col	Reference	Model type	Begin	End

100
200
300
400

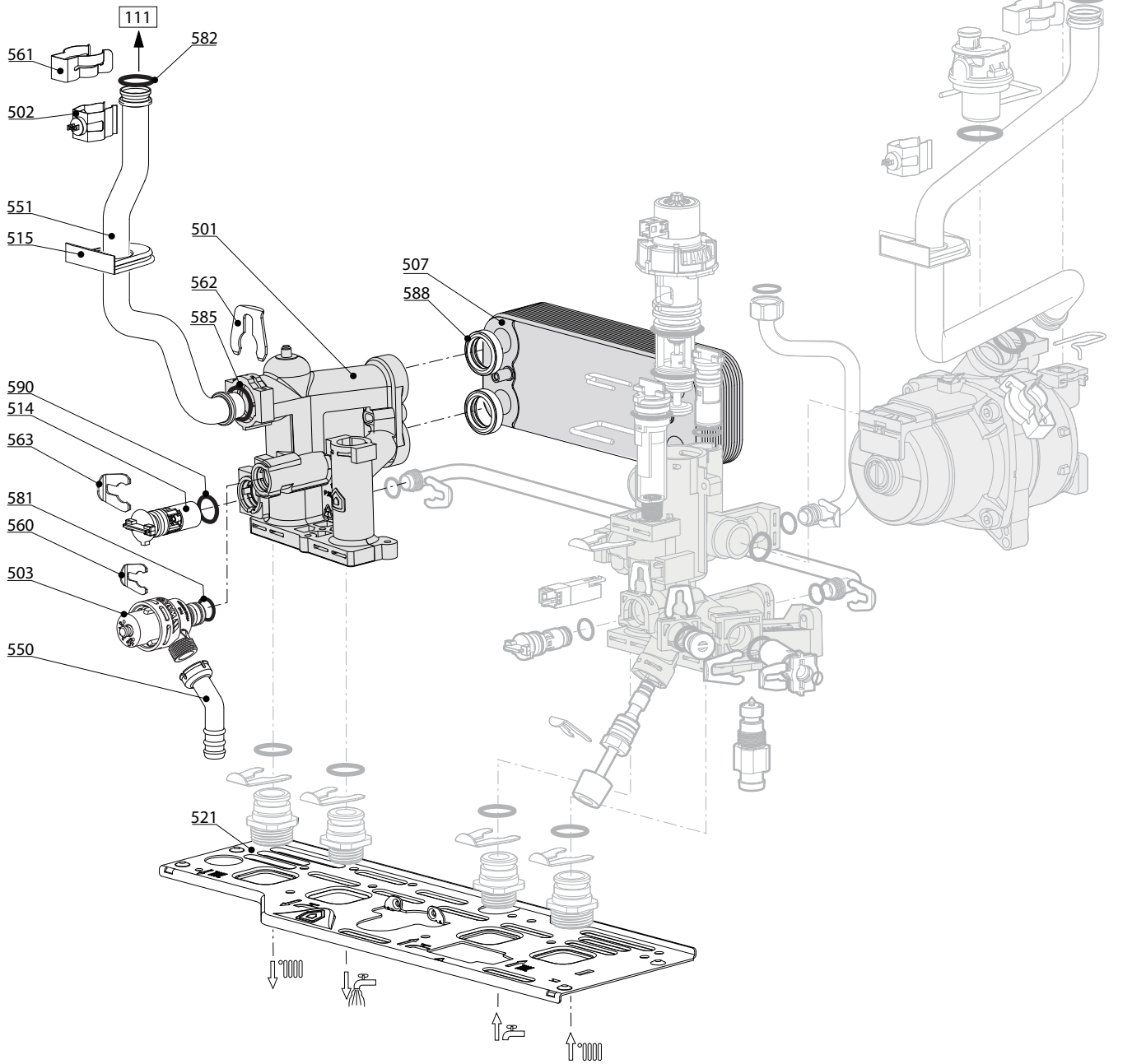
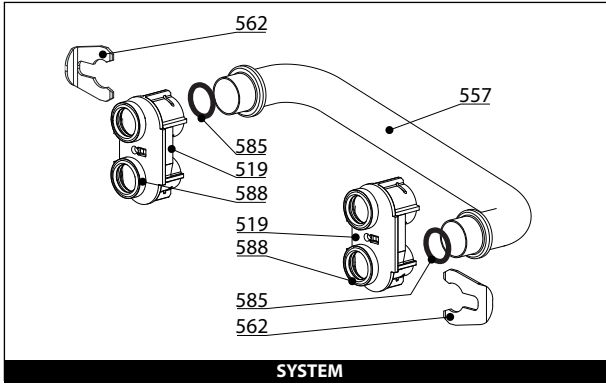


PIGMA ULTRA

Gas-wall boiler atm. burner

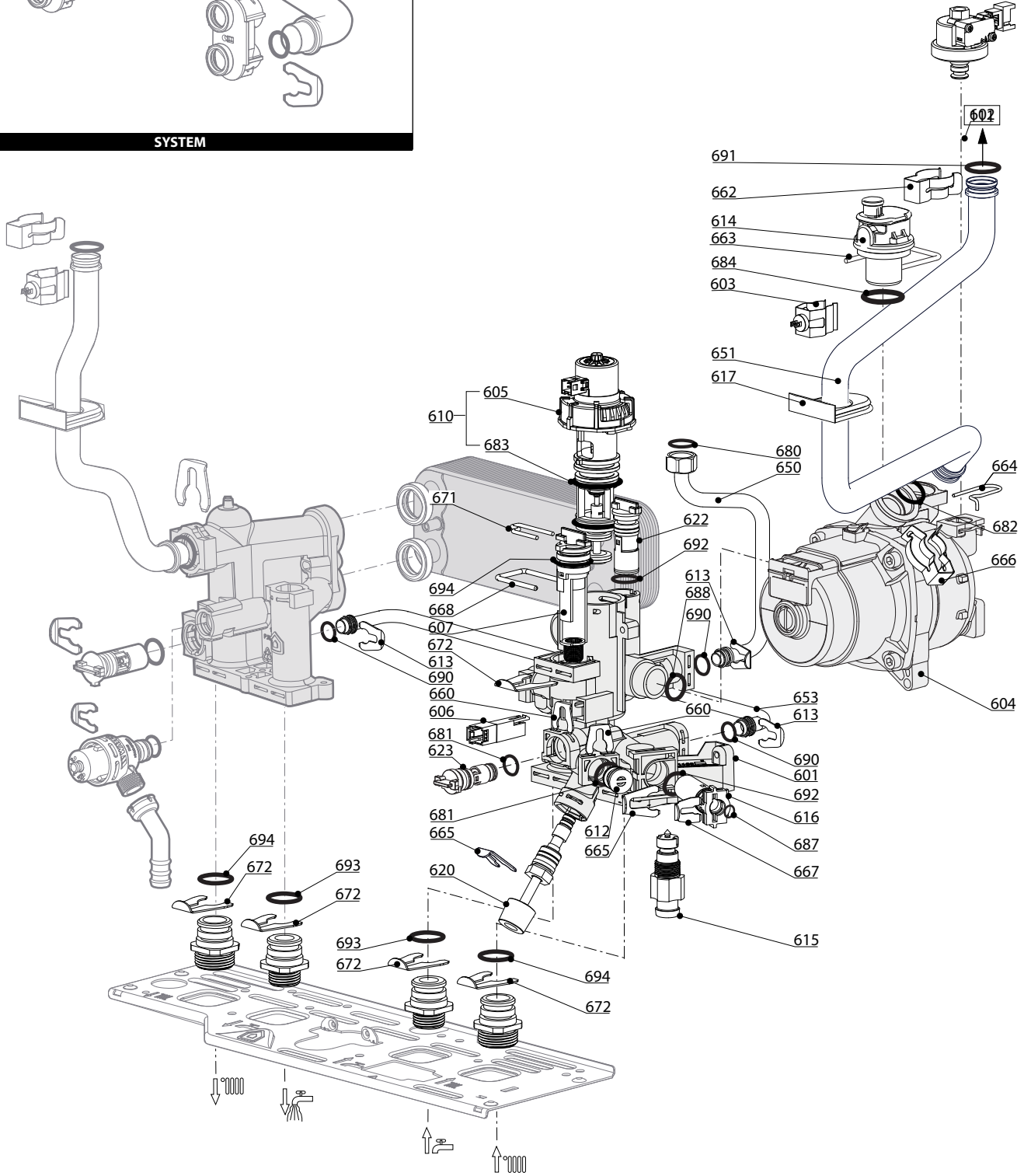
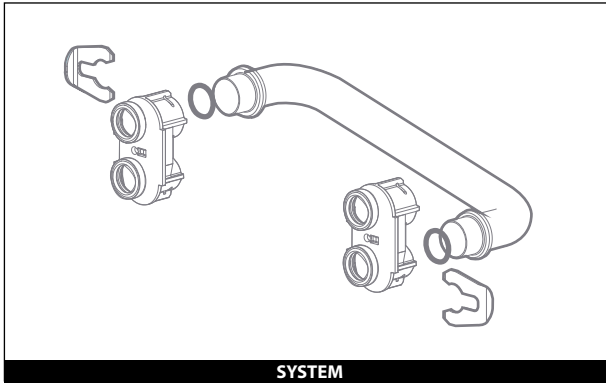


Description	Manf. Pt N	Type																			From	to
			1	2	3	4	5	6	7	8	9	10	11	12	13	14	15	16	17	18		
0100 BURNER ASSEMBLY																						
0101 ELECTRODE (IGNITION/IONIZATION)	65115802		●	●	●	●	●	●	●	●	●	●	●	●	●	●	●	●	●			
0110 PANELS (KIT)	65104695		●			●			●			●			●							
PANELS (KIT)	65105029			●				●				●										
PANELS (KIT)	65106298				●					●												
0111 HEAT EXCHANGER (Cu)	65104247		●						●													
HEAT EXCHANGER (Cu)	65105041							●											●			
HEAT EXCHANGER (Cu)	65111931			●																		
HEAT EXCHANGER (KIT)	65119090				●							●										
HEAT EXCHANGER (KIT) Cu 28	65119091							●											●			
0112 BURNER 11NP	65106294				●						●											
BURNER 13NP	60001582		●							●												
BURNER 13NP	65104220							●											●			
BURNER 15NP	65105027			●																		
BURNER 16NP	60001596							●											●			
0113 GAS MANIFOLD 11 INJ. D:1.32	65106302	G20			●						●											
GAS MANIFOLD 13 INJ. D:1.25	65104302	G20	●								●											
GAS MANIFOLD 13 INJ. D:1.32	65104226	G20						●											●			
GAS MANIFOLD 15 INJ. D:1.25	65105026	G20		●																		
GAS MANIFOLD 16 INJ. D:1.32	65105997	G20						●											●			
0200 GAS SECTION																						
0201 GAS VALVE	65115771		●	●	●	●	●	●	●	●	●	●	●	●	●	●	●	●	●			
0204 SPARK GENERATOR	65115791		●	●	●	●	●	●	●	●	●	●	●	●	●	●	●	●	●			
0214 PIPE (GAS VALVE/BURNER)	65115772		●	●	●	●	●	●	●	●	●	●	●	●	●	●	●	●	●			
0216 GROMMET	60000624		●	●	●	●	●	●	●	●	●	●	●	●	●	●	●	●	●			
0217 CH ADAPTER (3/4")	65114929		●	●	●	●	●	●	●	●	●	●	●	●	●	●	●	●	●			
0218 DHW ADAPTER (1/2")	65114930		●	●	●	●	●	●	●	●	●	●	●	●	●	●	●	●	●			
0251 EPDM PIPE	65115773		●	●	●	●	●	●	●	●	●	●	●	●	●	●	●	●	●			
0261 CLIP	60001861		●	●	●	●	●	●	●	●	●	●	●	●	●	●	●	●	●			
0270 GASKET (SPARK GENERATOR)	574279		●	●	●	●	●	●	●	●	●	●	●	●	●	●	●	●	●			
0281 O-RING 22.22X2.62	65104304		●	●	●	●	●	●	●	●	●	●	●	●	●	●	●	●	●			
0283 O-RING 17.17X1.78	65104303		●	●	●	●	●	●	●	●	●	●	●	●	●	●	●	●	●			
0300 FAN ASSEMBLY																						
0301 THERMOSTAT 75-65°C	999539		●	●	●	●	●	●	●	●	●	●	●	●	●	●	●	●	●			
0302 AIR PRESSURE SWITCH 50 Pa	65104671-01				●	●	●			●	●	●			●	●	●					
0303 FAN 24 KW	65115813				●						●											
FAN 28-32 KW	65115814							●							●							
FAN 32-35 KW	65115815								●										●			
0310 AIR CONNECTION	65115914				●	●	●				●	●	●									
0313 COMBUSTION CHAMBER 24 CF	65104218		●								●											
COMBUSTION CHAMBER 28 CF	65105028			●																		
0314 COMBUSTION CHAMBER 24 FF	65115800				●							●										
COMBUSTION CHAMBER 28 FF	65115799							●											●			
COMBUSTION CHAMBER 32/35 FF	65115798								●										●			
0315 CONDENSATE TRAP	65105349				●	●	●				●	●	●									
0316 PANEL (INSULATION - FAN)	65104305				●	●	●				●	●	●									
0317 SUPPORT (AIR PRESSURE SWITCH)	65115812				●	●	●				●	●	●									
0318 VENTURI 15/24FF	65106516				●							●										
VENTURI 28/32FF	65118171							●											●			
VENTURI 32/35FF	65118172								●										●			
0319 RESTRICTOR KIT	60001598		●	●	●	●	●	●	●	●	●	●	●	●	●	●	●	●	●			
0374 CABLE INLET RUBBER WASHER	60000716		●	●	●	●	●	●	●	●	●	●	●	●	●	●	●	●	●			
0400 SEALED CASE																						
0401 EXPANSION VESSEL 8L	65104261		●	●	●	●	●	●	●	●	●	●	●	●	●	●	●	●	●			
0410 PANEL (COMBUSTION CHAMBER)	65104240		●					●			●				●							
PANEL (COMBUSTION CHAMBER)	65105033			●					●										●			
PANEL (COMBUSTION CHAMBER)	65106296				●							●										
0412 SPRING FRONT PANEL (KIT)	65107048				●	●	●				●	●	●									
0414 PANEL (FRONT - SEALED CHAMBER)	65105678-02				●	●						●	●									
PANEL (FRONT - SEALED CHAMBER)	65105679-02							●											●			
0416 SIDE PANELS LEFT + RIGHT - WHITE	65115804		●	●	●	●	●	●	●	●	●	●	●	●	●	●	●	●	●			
0417 CASE PANEL (FRONT)	60002834		●		●	●	●				●	●	●									
CASE PANEL (FRONT)	60002835			●				●											●			
0420 EXPANSION VESSEL SUPPORT	65104696		●	●	●	●	●	●	●	●	●	●	●	●	●	●	●	●	●			

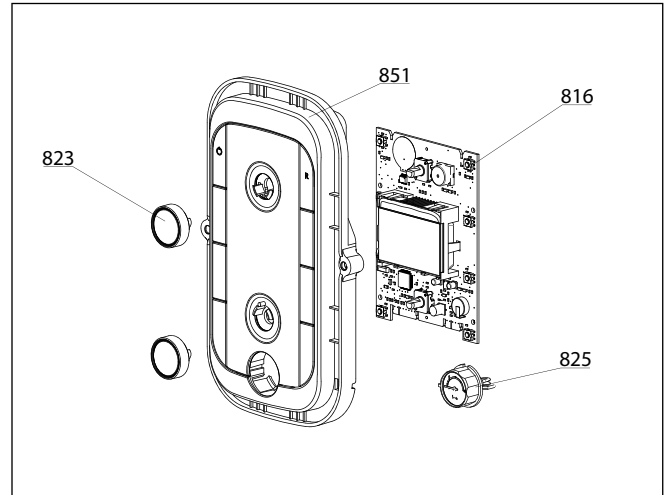
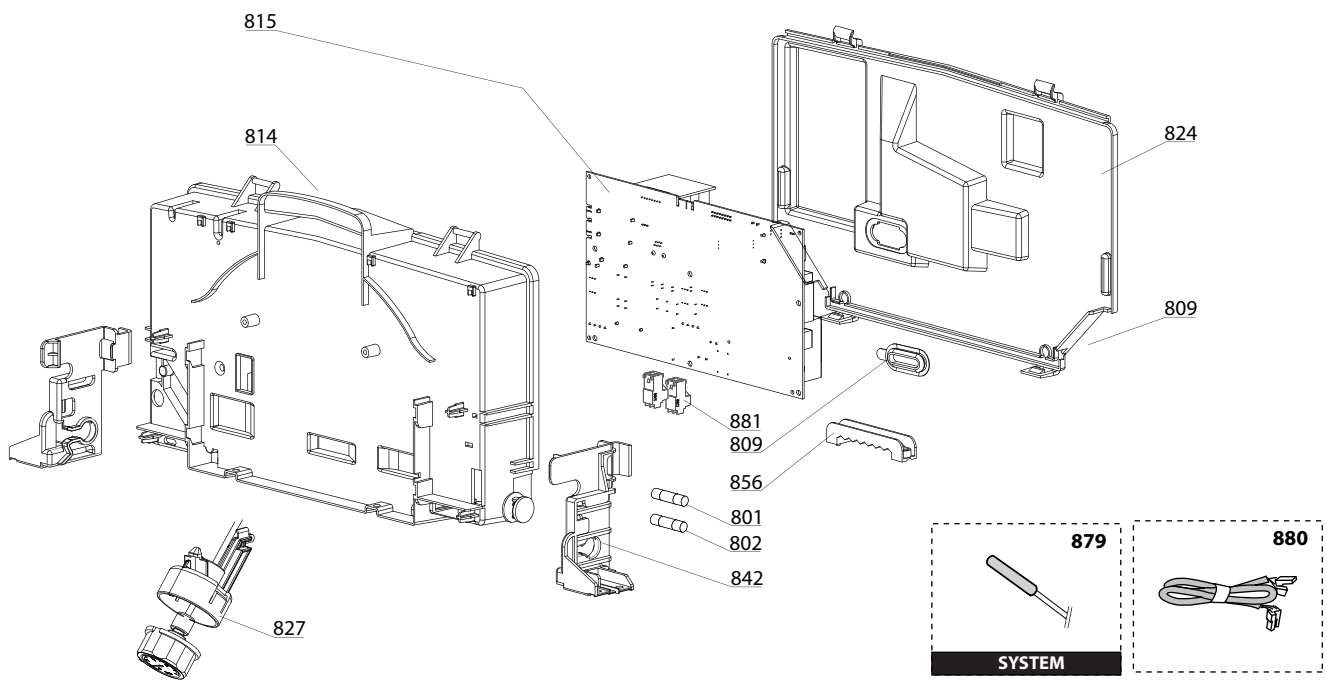


	Description	Manf. Pt. N	Type	<div style="display: flex; justify-content: space-between; font-size: small;"> PIGMA ULTRA 25 CF PIGMA ULTRA 30 CF PIGMA ULTRA 35 FF PIGMA ULTRA 25 FF PIGMA ULTRA 30 FF PIGMA ULTRA 35 FF PIGMA ULTRA SYS 25 CF PIGMA ULTRA SYS 25 FF PIGMA ULTRA SYS 30 FF </div>																		From	to
				1	2	3	4	5	6	7	8	9	10	11	12	13	14	15	16	17	18		
0500	FLOW GROUP																						
0501	FLOW GROUP	65115933		●	●	●	●	●													05/18		
	FLOW GROUP	65115933							●	●	●	●											
	FLOW GROUP	65117952		●	●	●	●	●												06/18			
0502	TEMPERATURE PROBE + CLIP	990686-01		●	●	●	●	●	●	●	●	●	●										
0503	PRESSURE RELIEF VALVE (3 BAR)	61312668		●	●	●	●	●	●	●	●	●	●										
0507	SANITARY HEAT EXCHANGER (16 P.)	65104333		●	●	●	●	●	●	●	●	●	●										
0514	BY-PASS	65114917		●	●	●	●	●	●	●	●	●	●										
0515	GROMMET	60000808		●	●	●	●	●	●	●	●	●	●										
0519	INTERFACE 'System +' Open	60001365								●	●	●	●										
0521	HYDRAULIC GROUP SUPPORT	65115797		●	●	●	●	●	●	●	●	●	●										
0550	PIPE (SAFETY VALVE OUTLET)	60001955		●	●	●	●	●	●	●	●	●	●										
0551	PIPE (C.H. FLOW - AL)	65115067	NOTE 2				●					●											
	PIPE (C.H. FLOW - AL)	65115765	NOTE 2					●					●										
	PIPE (C.H. FLOW - AL)	65119646	NOTE 2						●					●									
	PIPE (C.H. FLOW - CU)	65115763	NOTE 1	●				●		●			●										
	PIPE (C.H. FLOW - CU)	65115764	NOTE 1		●				●					●									
	PIPE (C.H. FLOW - Cu)	65115915	NOTE 1			●					●												
0557	PIPE (D.H.W.RETURN)	65115935								●	●	●	●										
0560	CLIP D:10	65114933		●	●	●	●	●	●	●	●	●	●										
0561	CLIP	61307589		●	●	●	●	●	●	●	●	●	●										
0562	CLIP D18	65104259		●	●	●	●	●	●	●	●	●	●										
0563	CLIP D:12	65114932		●	●	●	●	●	●	●	●	●	●										
0581	O-RING 17.96X2.62	65104337		●	●	●	●	●	●	●	●	●	●										
0582	O-RING 17.86X2.62	61308091		●	●	●	●	●	●	●	●	●	●										
0585	O-RING 17.04X3.53	65104262		●	●	●	●	●	●	●	●	●	●										
0588	EXCHANGER GASKET	65114928		●	●	●	●	●	●	●	●	●	●										
0590	O-RING 11.91X2.62	65114940		●	●	●	●	●	●	●	●	●	●										

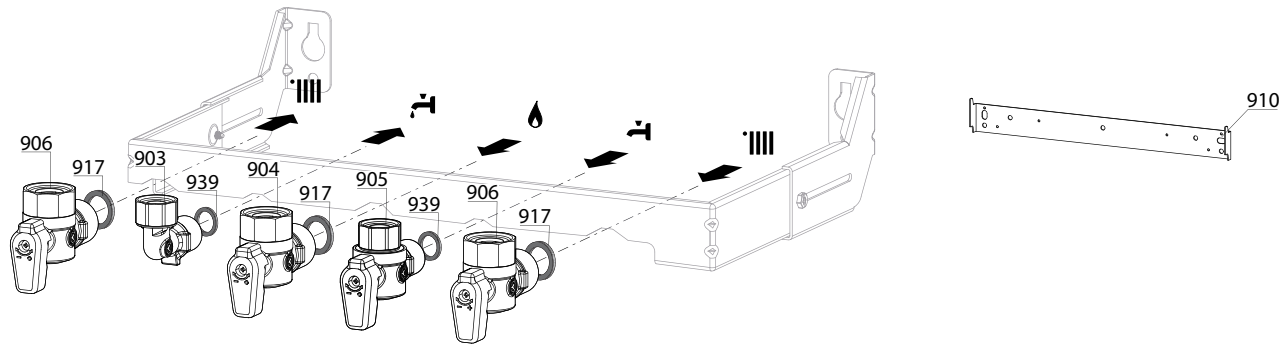
Nota 1: Per apparecchi con scambiatori primari in rame. - Nota 2: Per apparecchi con scambiatori primari in alluminio.



800



900



5000

5001
 Transf. gaz
 Conv. gas > **G31**
 (LPG - GPL)
 Trasn. gas
 Transf. gas

5002
 Transf. gaz
 Conv. gas > **G20**
 (NAT - MET)
 Trasn. gas
 Transf. gas

Description	Manf. Pt. N	Type																			From	to
			1	2	3	4	5	6	7	8	9	10	11	12	13	14	15	16	17	18		
0800 ELECTRICAL BOX																						
0801 FUSE 5X20 RIT. 2 A 250V	65112137		●	●	●	●	●	●	●	●	●	●	●	●	●	●	●	●	●			
0802 FUSE RIT. 1A25 P5.08 NO RIP	65119500		●	●	●	●	●	●	●	●	●	●	●	●	●	●	●	●	●			
0809 GROMMET (PCD TOOL ACCESS)	998382		●	●	●	●	●	●	●	●	●	●	●	●	●	●	●	●	●			
0814 CONTROL PANEL COVER (FRONT)	65115784		●	●	●	●	●	●	●	●	●	●	●	●	●	●	●	●	●			
0815 P.C.B. (MAIN)	65115783-02		●	●	●	●	●	●	●	●	●	●	●	●	●	●	●	●	●			
0816 P.C.B. (DISPLAY)	60002839-01		●	●	●	●	●	●	●	●	●	●	●	●	●	●	●	●	●			
0823 WHITE KNOB	60002840		●	●	●	●	●	●	●	●	●	●	●	●	●	●	●	●	●			
0824 CONTROL PANEL COVER (REAR)	65115820		●	●	●	●	●	●	●	●	●	●	●	●	●	●	●	●	●			
0825 PRESSURE GAUGE	60002838		●	●	●	●	●	●	●	●	●	●	●	●	●	●	●	●	●			
0827 SUPPORT (PRESSURE GAUGE)	65115809		●	●				●														
0842 SIDE COVER SUPPORT	65115810			●				●						●								
SIDE COVER SUPPORT	65115811		●		●	●			●	●	●			●								
0851 FRONT CONTROL PANEL COMPLETE	60002842		●	●	●	●	●															
FRONT CONTROL PANEL COMPLETE	60002844								●	●	●	●										
0856 CABLE CLAMP	65103377		●	●	●	●	●	●	●	●	●	●	●	●	●	●	●	●	●			
0879 BOILER THERMISTOR TEMP. SENSOR	60000454								●	●	●	●										
0880 3-WAY VALVE CABLE	65115790		●	●	●	●	●															
3-WAY VALVE CABLE	65115937								●	●	●	●										
CABLE (IONIZATION ELECTRODE)	60001883		●	●	●	●	●	●	●	●	●	●	●	●	●	●	●	●	●			
DISPLAY WIRING - 5 WIRES BLUES	60000746		●	●	●	●	●	●	●	●	●	●	●	●	●	●	●	●	●			
EARTH WIRE	65104286		●	●	●	●	●	●	●	●	●	●	●	●	●	●	●	●	●			
FAN CABLE	60001902					●	●	●		●	●	●										
FEEDER 240V	60001619		●	●	●	●	●	●	●	●	●	●	●	●	●	●	●	●	●			
NTC - PRES SWITCH CABLE	65115787					●	●	●	●	●	●	●	●	●	●	●	●	●	●			
NTC - PRES SWITCH CABLE	65115789		●	●					●													
PUMP 1V CABLE WILO	65105081	WILO	●	●	●	●	●	●	●	●	●	●	●	●	●	●	●	●	●			
PUMP CABLE 1V PANA.	65115788	PANA.	●	●	●	●	●	●	●	●	●	●	●	●	●	●	●	●	●			
0881 CONNECTOR 2P	65111933		●	●	●	●	●	●	●	●	●	●	●	●	●	●	●	●	●			
CONNECTOR 3P (x5)	65111934-01		●	●	●	●	●	●	●	●	●	●	●	●	●	●	●	●	●			
0900 JIG PLATE & PIPE FITTING																						
0903 HOT WATER CONNECTION	60000891		●	●	●	●	●	●	●	●	●	●	●	●	●	●	●	●	●			
0904 GAS SERVICE TAP	60000898		●	●	●	●	●	●	●	●	●	●	●	●	●	●	●	●	●			
0905 COLD WATER TAP	60000894		●	●	●	●	●	●	●	●	●	●	●	●	●	●	●	●	●			
0906 WATER FLOW & RETURN SERVI. TAP	60000885		●	●	●	●	●	●	●	●	●	●	●	●	●	●	●	●	●			
0910 WALL HOOK	60000625		●	●	●	●	●	●	●	●	●	●	●	●	●	●	●	●	●			
0917 SHEET GASKET D: 24-17-1.5	60061855-19		●	●	●	●	●	●	●	●	●	●	●	●	●	●	●	●	●			
0939 WASHER D: 18.4-12.2-1.5	60061855-14		●	●	●	●	●	●	●	●	●	●	●	●	●	●	●	●	●			
5000 ACCESSORIES																						
5001 BURNER JET FULL KIT (LPG)	65104582-01					●	●			●	●											
BURNER JET FULL KIT (LPG)	65106690-01		●	●					●													
BURNER JET FULL KIT (LPG)	65106695-01								●					●								
5002 BURNER JET FULL KIT (NG)	65104583-01					●	●	●		●	●	●										
BURNER JET FULL KIT (NG)	65106691-01		●	●					●													

LIST OF THE ABBREVIATIONS

HW	: Hot water.
CW	: Cold water.
C	: Ceramic resistance (normal heating).
Ca	: Ceramic resistance (accelerated heating)
TP	: Immersion heater.
1F	: With fittings.
2F	: Without fittings.
3F	: With fittings and another outlet connection.
AMI	: With mixing valve.
SMI	: Without mixing valve.
PUISS	: Power of th appliance.
PN	: Appliance with normal pression.
LP	: Appliance with low pression.
PV	: Appliance with variable power.
PF	: Appliance with fixed power.

IDENTIFICATION PLATE

SERIAL NUMBER

10 Characters :	04 05 125 011	Sequential number
		Manufacturing day
		Year of manufacture
11 Characters :	1 95 065004 - 31	Technical number of the appliance
Month of manufacture :		Sequential number
from 1 to 9 → Jan. to Sep.,		Year of manufacture
O → Oct., N → Nov.,		
D → Dec.		
19 Characters :	08 05 0013199 900640031	Product reference
Year of manufacture		Sequential number
Month of manufacture		
20 Characters :	3675007 XX 2 07 070 00315	Sequential number
Product reference		Manufacturing day
Millenium of manufacture		Year of manufacture
21 Characters :	3675007 XX 07 070 0000315	Sequential number
Product reference		Manufacturing day
Year of manufacture		