

## SPARE PARTS EXPLODED VIEW GAS-WALL BOILER ATM. BURNER

Model

### ALIXIA S

R8203410-06 - 24/09/2019

1	3310308	ALIXIA S 20 CF NG TU	02-2014	06-2017
2	3310279	ALIXIA S 24 CF NG	06-2014	04-2017
2	3310286	ALIXIA S 24 CF LPG	06-2014	04-2017
3	3310492	ALIXIA S 24 CF NG EU	10-2015	09-2018
4	3310396	ALIXIA S 15 FF NG	07-2014	04-2017
5	3310298	ALIXIA S 18 FF NG	02-2014	04-2017
6	3310307	ALIXIA S 20 FF NG TU	02-2014	04-2017
7	3310280	ALIXIA S 24 FF LPG	06-2014	05-2017
7	3310272	ALIXIA S 24 FF NG	06-2014	04-2017
8	3310329	ALIXIA SIMPLE S 18 CF	02-2014	04-2017
9	3310331	ALIXIA SIMPLE S 24 CF	02-2014	04-2017
10	3310330	ALIXIA SIMPLE S 18 FF	02-2014	04-2017
11	3310332	ALIXIA SIMPLE S 24 FF	02-2014	04-2017

Col	Reference	Model type	Begin	End
-----	-----------	------------	-------	-----

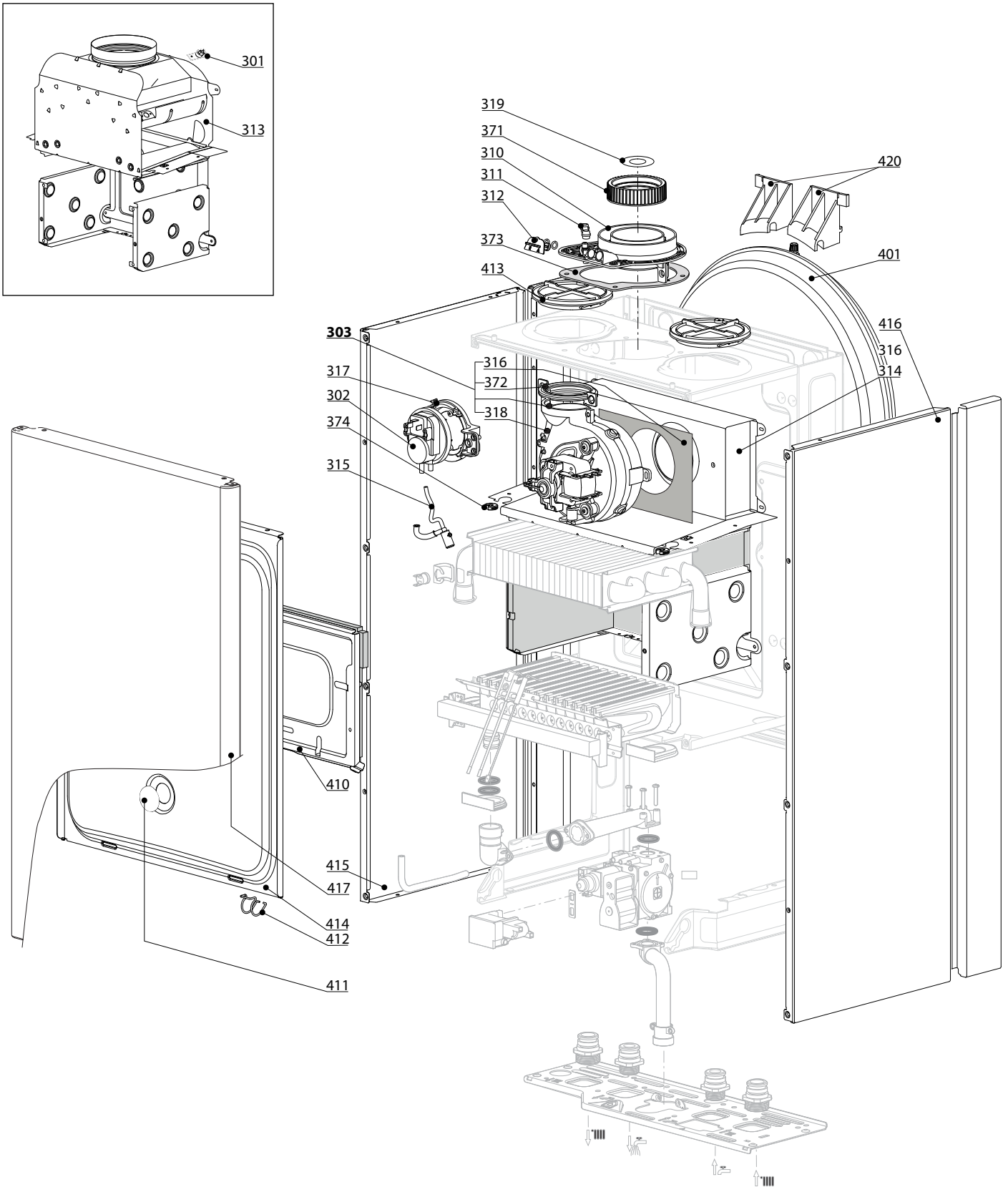


☉⇒	Description	Manf. Pt. N	Type	<div style="display: flex; justify-content: space-between; font-size: small;"> <span>ALIXIA S 20 CF</span> <span>ALIXIA S 24 CF</span> <span>ALIXIA S 24 CF - EU</span> <span>ALIXIA S 18 FF</span> <span>ALIXIA S 20 FF</span> <span>ALIXIA S 24 FF</span> <span>ALIXIA SIMPL. S 18 CF</span> <span>ALIXIA SIMPL. S 24 CF</span> <span>ALIXIA SIMPL. S 18 FF</span> <span>ALIXIA SIMPL. S 24 FF</span> </div>																		From	to
				1	2	3	4	5	6	7	8	9	10	11	12	13	14	15	16	17	18		
<b>0100</b>	<b>BURNER ASSEMBLY</b>																						
0101	ELECTRODE (IGNITION/IONIZATION)	65115802		●	●	●	●	●	●	●	●	●	●	●	●								
0110	PANELS (KIT)	65104695		●	●	●						●	●	●									
	PANELS (KIT)	65106298					●	●	●	●				●	●								
0111	HEAT EXCHANGER (Cu)	65104247		●	●	●						●	●										
	HEAT EXCHANGER (Cu)	65106297					●	●	●	●					●	●							
	HEAT EXCHANGER (KIT) Cu 24	65113395					●	●	●	●					●	●							
0112	BURNER 11NP	65106294					●	●	●	●						●	●						
	BURNER 13NP	60001582		●	●	●						●	●										
0113	GAS MANIFOLD 11 INJ. D:0.80	65106605	LPG								●												
	GAS MANIFOLD 11 INJ. D:1.25	60001241	NAT													●							
	GAS MANIFOLD 11 INJ. D:1.32	65106302	NAT				●	●	●	●									●				
	GAS MANIFOLD 13 INJ. D:0.76	65104223	LPG		●																		
	GAS MANIFOLD 13 INJ. D:1.25	65104302	NAT	●	●	●						●	●										
<b>0200</b>	<b>GAS SECTION</b>																						
0201	GAS VALVE	65104254		●	●	●	●	●	●	●	●	●	●	●	●	●	●	●	●				
0204	SPARK GENERATOR	65104653		●	●	●	●	●	●	●	●	●	●	●	●	●	●	●	●				
0214	PIPE (GAS VALVE/BURNER)	65104230		●	●	●	●	●	●	●	●	●	●	●	●	●	●	●	●				
0216	GROMMET	60000624		●	●	●	●	●	●	●	●	●	●	●	●	●	●	●	●				
0217	UNION (3/4")	65104326		●	●	●	●	●	●	●	●	●	●	●	●	●	●	●	●				
0218	UNION (1/2")	65104327		●	●	●	●	●	●	●	●	●	●	●	●	●	●	●	●				
0250	GAS TUBE	60000720		●	●	●	●	●	●	●	●	●	●	●	●	●	●	●	●				
0251	EPDM PIPE	65104296					●	●	●	●	●	●	●	●	●	●	●	●	●				
0270	GASKET (SPARK GENERATOR)	574279		●	●	●	●	●	●	●	●	●	●	●	●	●	●	●	●				
0281	O-RING 22.22X2.62	65104304		●	●	●	●	●	●	●	●	●	●	●	●	●	●	●	●				
0283	O-RING 17.17X1.78	65104303		●	●	●	●	●	●	●	●	●	●	●	●	●	●	●	●				

300  
400

ALIXIA S

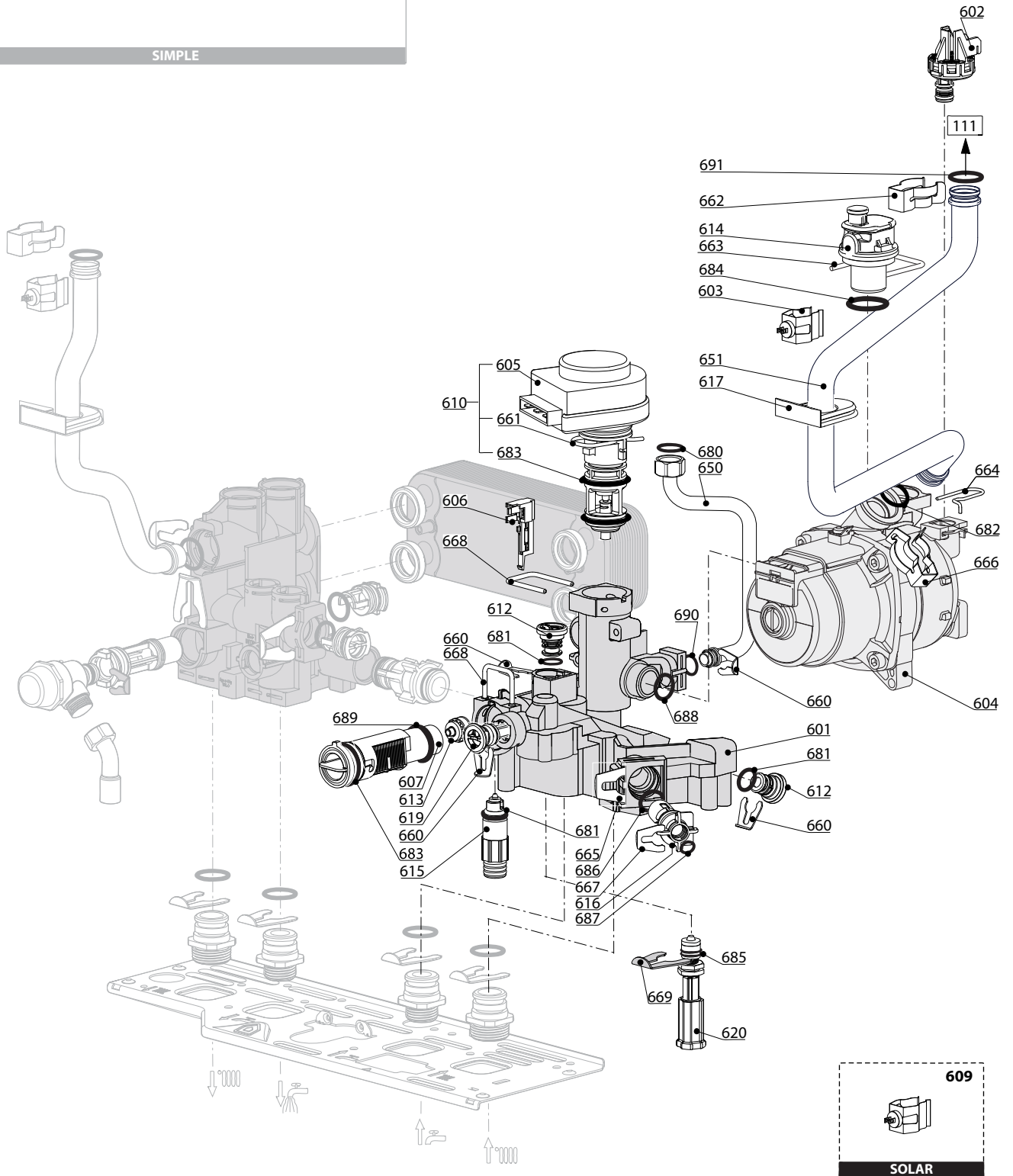
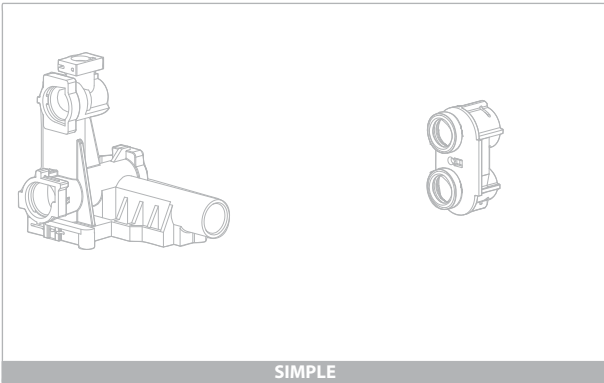
Gas-wall boiler atm. burner



☉⇒	Description	Manf. Pt. N	Type	<div style="display: flex; justify-content: space-between; font-size: small;"> <span>ALIXIA S 20 CF</span> <span>ALIXIA S 24 CF</span> <span>ALIXIA S 24 CF - EU</span> <span>ALIXIA S 18 FF</span> <span>ALIXIA S 20 FF</span> <span>ALIXIA S 24 FF</span> <span>ALIXIA SIMPL. S 18 CF</span> <span>ALIXIA SIMPL. S 24 CF</span> <span>ALIXIA SIMPL. S 18 FF</span> <span>ALIXIA SIMPL. S 24 FF</span> </div>																		From	to
				1	2	3	4	5	6	7	8	9	10	11	12	13	14	15	16	17	18		
<b>0300</b>	<b>FAN ASSEMBLY</b>																						
0301	THERMOSTAT 75-65°C	999539		●	●	●						●	●										
0302	AIR PRESSURE SWITCH 40 Pa	65102164-01												●									
	AIR PRESSURE SWITCH 50 Pa	65104671-01					●	●	●	●					●								
0303	FAN	65104357					●	●	●	●									●				
	FAN	65106051													●								
0310	FLUE (EXHAUST MANIFOLD/HEADER)	65105393					●	●	●	●					●	●							
0311	AIR INTAKE COVER	573329					●	●	●	●					●	●							
0312	FLUE TEST PORT PLUG	65104295					●	●	●	●					●	●							
0313	COMBUSTION CHAMBER 24 CF	65104218		●	●	●						●	●										
0314	COMBUSTION CHAMBER 24/28 FF	65106295					●	●	●	●					●	●							
0315	CONDENSATE TRAP	65104623					●	●	●	●					●	●							
0316	PANEL (INSULATION - FAN)	65104305					●	●	●	●					●	●							
0317	SUPPORT (AIR PRESSURE SWITCH)	65104378					●	●	●	●					●	●							
0318	VENTURI 15/24FF	65106516					●	●	●	●					●	●							
0319	RESTRICTOR KIT	60001598					●	●	●	●					●	●							
0371	COLLAR GASKET	65104258					●	●	●	●					●	●							
0372	FAN GASKET	65104257					●	●	●	●					●	●							
0373	GASKET	60000317					●	●	●	●					●	●							
0374	CABLE INLET RUBBER WASHER	60000716		●	●	●	●	●	●	●		●	●		●	●							
<b>0400</b>	<b>SEALED CASE</b>																						
0401	EXPANSION VESSEL 8L	65104261		●	●	●	●	●	●	●		●	●		●	●							
0410	PANEL (COMBUSTION CHAMBER)	65104240		●	●	●						●	●										
	PANEL (COMBUSTION CHAMBER)	65106296					●	●	●	●					●	●							
0411	SIGHT GLASS	65104232					●	●	●	●					●	●							
0412	SPRING FRONT PANEL (KIT)	65107048					●	●	●	●					●	●							
0413	AIR RETURN COVER	65104249					●	●	●	●					●	●							
0414	PANEL (FRONT - SEALED CHAMBER)	65105678-02					●	●	●	●					●	●							
0415	CASE PANEL (L.H. SIDE)	65105676		●	●	●	●	●	●	●		●	●		●	●							
0416	CASE PANEL (R.H. SIDE)	65105677		●	●	●	●	●	●	●		●	●		●	●							
0417	CASE PANEL (FRONT)	60000983		●	●	●	●	●	●	●		●	●		●	●							
0420	EXPANSION VESSEL SUPPORT	65104696		●	●	●	●	●	●	●		●	●		●	●							

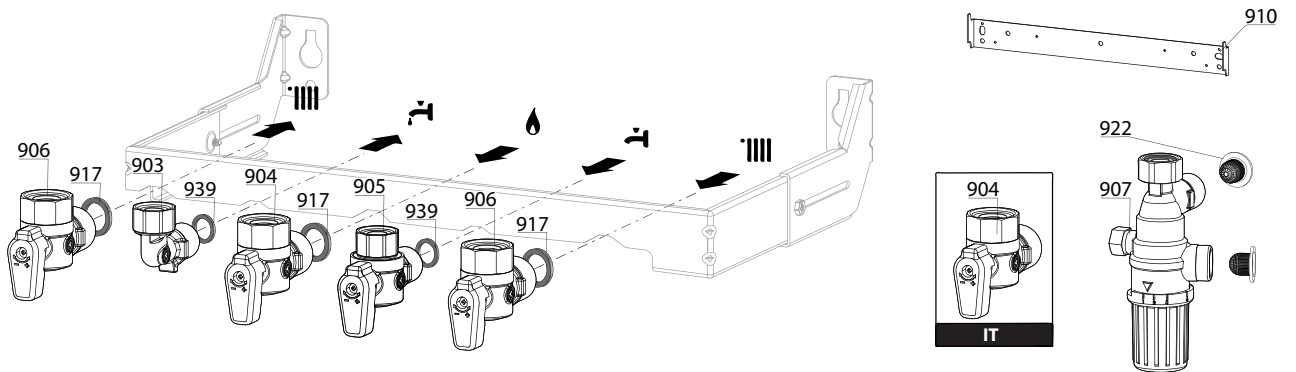
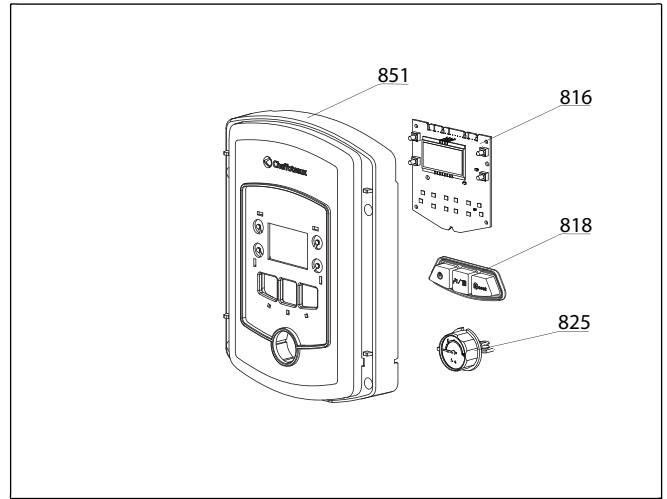
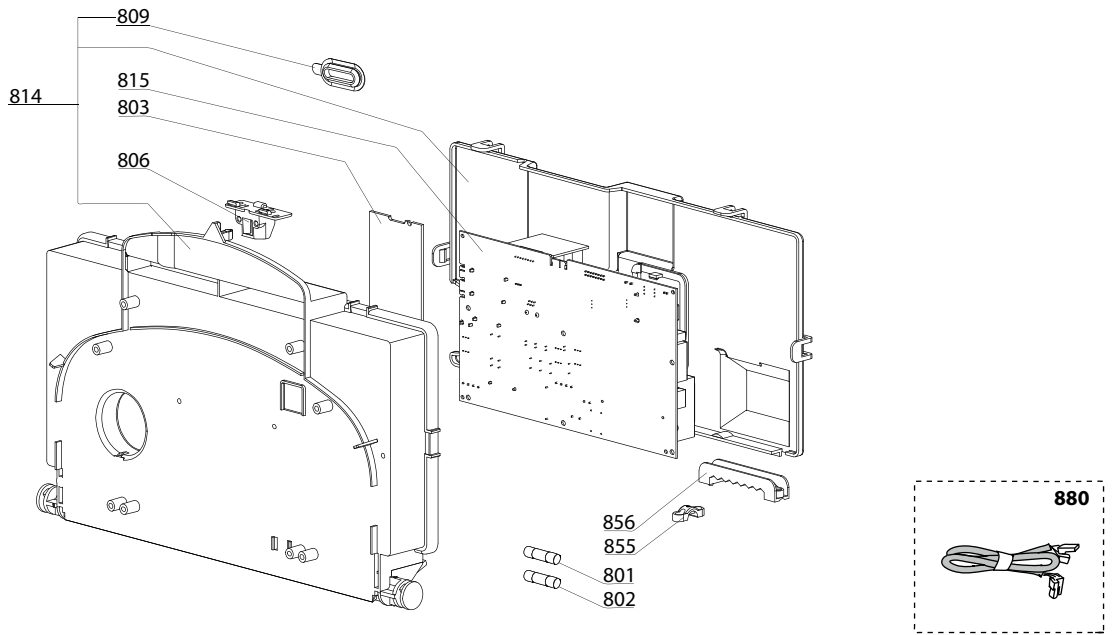












☉⇒	Description	Manf. Pt. N	Type	<div style="display: flex; justify-content: space-between; font-size: small;"> <span>ALIXIA S 20 CF</span> <span>ALIXIA S 24 CF</span> <span>ALIXIA S 24 CF - EU</span> <span>ALIXIA S 18 FF</span> <span>ALIXIA S 20 FF</span> <span>ALIXIA S 24 FF</span> <span>ALIXIA SIMPL. S 18 CF</span> <span>ALIXIA SIMPL. S 24 CF</span> <span>ALIXIA SIMPL. S 18 FF</span> <span>ALIXIA SIMPL. S 24 FF</span> </div>																		From	to
				1	2	3	4	5	6	7	8	9	10	11	12	13	14	15	16	17	18		
<b>0800</b>	<b>ELECTRICAL BOX</b>																						
0801	FUSE 5X20 RIT. 2 A 250V	65112137		●	●	●	●	●	●	●	●	●	●	●	●	●	●	●	●				
0802	FUSE RIT. 1A25 P5.08 NO RIP	65119500		●	●	●	●	●	●	●	●	●	●	●	●	●	●	●	●				
0803	P.C.B (CLIP-IN) E-BUS	65109108		●	●	●	●	●	●	●	●	●	●	●	●	●	●	●	●				
0806	PUSH	65104228		●	●	●	●	●	●	●	●	●	●	●	●	●	●	●	●				
0809	GROMMET (PCD TOOL ACCESS)	998382		●	●	●	●	●	●	●	●	●	●	●	●	●	●	●	●				
0814	ELECTRICAL BOX	60002525		●	●	●	●	●	●	●	●	●	●	●	●	●	●	●	●				
0815	P.C.B. (MAIN)	60001605-06		●	●	●	●	●	●	●	●	●	●	●	●	●	●	●	●				
0816	P.C.B. (DISPLAY)	60001606-02		●	●	●	●	●	●	●	●	●	●	●	●	●	●	●	●				
0818	PUSH BUTTON	60001295		●	●	●	●	●	●	●	●	●	●	●	●	●	●	●	●				
0825	PRESSURE GAUGE	60000725		●	●	●	●	●	●	●	●	●	●	●	●	●	●	●	●				
0851	CONTROL PANEL	60001296		●	●	●	●	●	●	●	●	●	●	●	●	●	●	●	●				
0855	CABLE CLAMP	571562		●	●	●	●	●	●	●	●	●	●	●	●	●	●	●	●				
0856	CABLE CLAMP	65103377		●	●	●	●	●	●	●	●	●	●	●	●	●	●	●	●				
0880	3-WAY VALVE CABLE	65104523	/ CN09	●	●	●	●	●	●	●	●	●	●	●	●	●	●	●	●				
	CABLE (IONIZATION ELECTRODE)	65104518	/ CN05	●	●	●	●	●	●	●	●	●	●	●	●	●	●	●	●				
	CLIP-IN E-BUS WIRING	65105169	/ CN11	●	●	●	●	●	●	●	●	●	●	●	●	●	●	●	●				
	DISPLAY WIRING - 5 WIRES BLUES	60000746	/ CN02	●	●	●	●	●	●	●	●	●	●	●	●	●	●	●	●				
	EARTH WIRE	65104286		●	●	●	●	●	●	●	●	●	●	●	●	●	●	●	●				
	FAN CABLE	65107270	/ CN10	●	●	●	●	●	●	●	●	●	●	●	●	●	●	●	●				
	FEEDER 240V	60000993	/ CN20	●	●	●	●	●	●	●	●	●	●	●	●	●	●	●	●				
	FLOW METER CABLE	60000813	/ CN14	●	●	●	●	●	●	●	●	●	●	●	●	●	●	●	●				
	NTC - OVERHEAT THER. - PRES SWITCH CABLE	60000814	/ CN22	●	●	●	●	●	●	●	●	●	●	●	●	●	●	●	●				
	NTC - PRES. SENSOR - GAS VALVE CABLE	60000840	/ CN04	●	●	●	●	●	●	●	●	●	●	●	●	●	●	●	●				
	NTC PROBE - OVERHEAT THERMOSTAT CABLE	65104708	/ CN22	●	●	●	●	●	●	●	●	●	●	●	●	●	●	●	●				
	PUMP 1V CABLE WILO	65105081	WILO	●	●	●	●	●	●	●	●	●	●	●	●	●	●	●	●				
	PUMP CABLE 1V ENER+	60001887	ENER +	●	●	●	●	●	●	●	●	●	●	●	●	●	●	●	●				
	ROOM THERMOSTAT CABLE	60001253	/ CN25	●	●	●	●	●	●	●	●	●	●	●	●	●	●	●	●				
<b>0900</b>	<b>JIG PLATE &amp; PIPE FITTING</b>																						
0903	HOT WATER CONNECTION	60000891		●	●	●	●	●	●	●	●	●	●	●	●	●	●	●	●				
0904	GAS SERVICE TAP	60000898		●	●	●	●	●	●	●	●	●	●	●	●	●	●	●	●				
0905	COLD WATER TAP	60000895		●	●	●	●	●	●	●	●	●	●	●	●	●	●	●	●				
0906	WATER FLOW & RETURN SERVI. TAP	60000885		●	●	●	●	●	●	●	●	●	●	●	●	●	●	●	●				
0907	THERMOSTATIC MIXING VALVE	60001081		●	●	●	●	●	●	●	●	●	●	●	●	●	●	●	●				
0910	WALL HOOK	60000625		●	●	●	●	●	●	●	●	●	●	●	●	●	●	●	●				
0917	SHEET GASKET D: 24-17-1.5	60061855-19		●	●	●	●	●	●	●	●	●	●	●	●	●	●	●	●				
0922	FILTER	60001087		●	●	●	●	●	●	●	●	●	●	●	●	●	●	●	●				
0939	WASHER D: 18.4-12.2-1.5	60061855-14		●	●	●	●	●	●	●	●	●	●	●	●	●	●	●	●				

## LIST OF THE ABBREVIATIONS

HW .....	: Hot water.
CW .....	: Cold water.
C .....	: Ceramic resistance (normal heating).
Ca .....	: Ceramic resistance (accelerated heating)
TP .....	: Immersion heater.
1F .....	: With fittings.
2F .....	: Without fittings.
3F .....	: With fittings and another outlet connection.
AMI .....	: With mixing valve.
SMI .....	: Without mixing valve.
PUISS .....	: Power of th appliance.
PN .....	: Appliance with normal pression.
LP .....	: Appliance with low pression.
PV .....	: Appliance with variable power.
PF .....	: Appliance with fixed power.

## IDENTIFICATION PLATE

### SERIAL NUMBER

<b>10 Characters :</b>	04 05 125 011		
		Sequential number	
		Manufacturing day	
		Year of manufacture	
<b>11 Characters :</b>	1 95 065004 - 31		
Month of manufacture :		Technical number of the appliance	
from 1 to 9 → Jan. to Sep.,		Sequential number	
O → Oct., N → Nov.,		Year of manufacture	
D → Dec.			
<b>19 Characters :</b>	08 05 0013199 900640031		
Year of manufacture		Product reference	
Month of manufacture		Sequential number	
<b>20 Characters :</b>	3675007 XX 2 07 070 00315		
Product reference		Sequential number	
Millenium of manufacture		Manufacturing day	
		Year of manufacture	
<b>21 Characters :</b>	3675007 XX 07 070 0000315		
Product reference		Sequential number	
Year of manufacture		Manufacturing day	