



ARISTON

SPARE PARTS EXPLODED VIEW STORAGE ELECTRIC WATER HEATERS

Model

SI HORIZONTAL

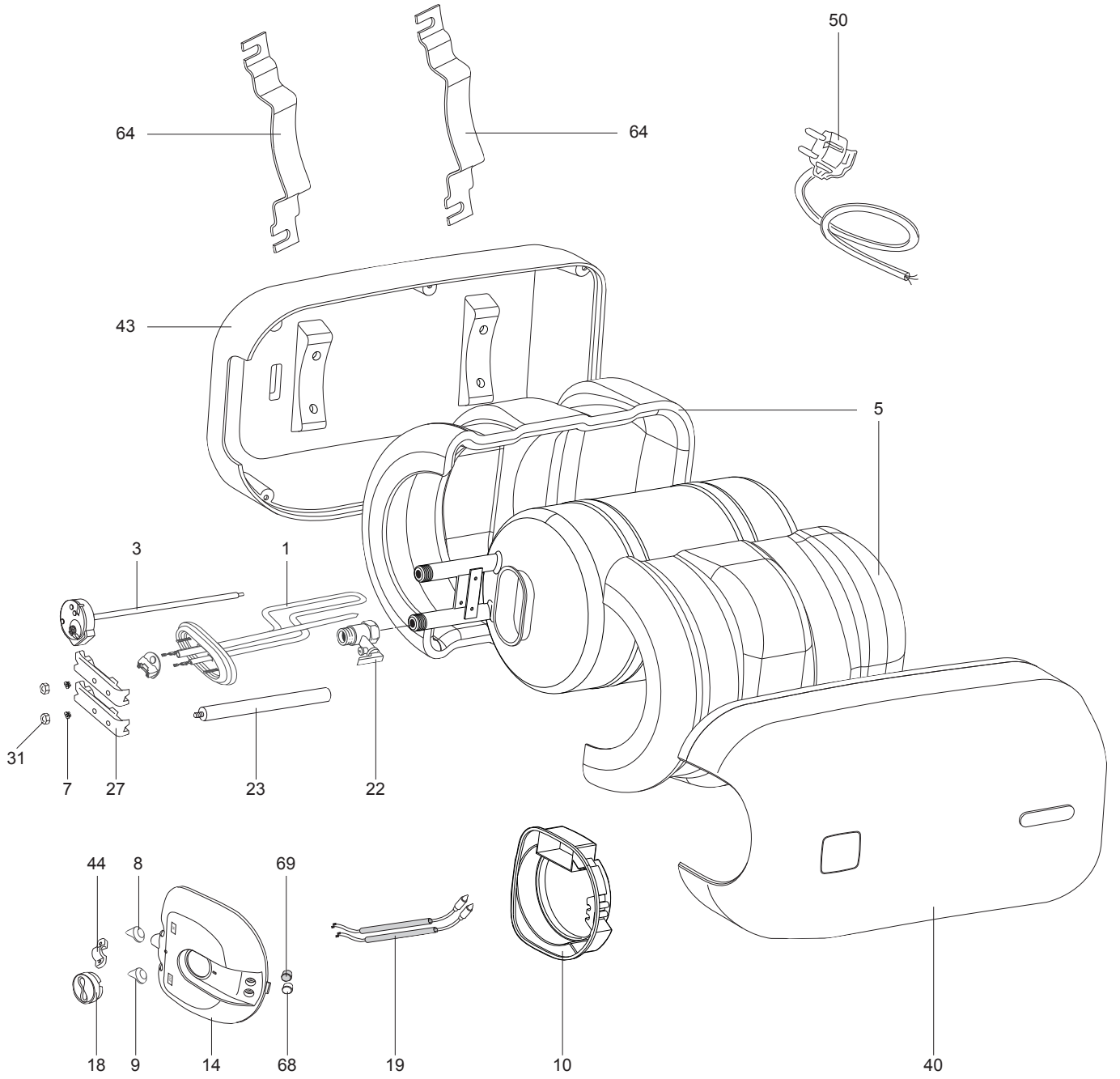
R8215282-05 - 02/11/2012

SI HORIZONTAL

Storage Electric Water Heaters

1	506434	SI-15 H	09-2002	-
1	3810091	SI-15 H	01-2007	-
1	0506434	SI-15 H	09-2002	-
1	3801803	SI-15 H	08-2011	-
2	506436	SI-30 H	09-2002	03-2009
2	3810018	SI-30 H	01-2007	-
2	0506436	SI-30 H	09-2002	03-2009
2	3801805	SI-30 H	08-2011	-

Col	Reference	Model type	Begin	End
-----	-----------	------------	-------	-----



	Description	Manf. Pt. N	Type																		
				1	2	3	4	5	6	7	8	9	10	11	12	13	14	15	16	17	18
0001	НАГРЕВАТЕЛЬНЫЙ ЭЛЕМЕНТ 2000W 230V	65160794		•	•																
0003	ТЕРМОСТАТ	993215		•	•																
0005	ТЕПЛОИЗОЛЯЦИЯ 15 Л	0507423		•																	
	ТЕПЛОИЗОЛЯЦИЯ 25 Л	0507424			•																
0007	ШАЙБА M6	65107340		•	•																
0008	КОЛЬЦО ПЛАСТИКОВОЕ СИНЕЕ	0507487		•	•																
0009	КОЛЬЦО ПЛАСТИКОВОЕ КРАСНОЕ	0507486		•	•																
0010	ГОРЛОВИНА	0507568		•	•																
0014	КРЫШКА ПЛАСТИКОВАЯ	65161074		•	•																
0018	РУЧКА РЕГУЛИРОВАНИЯ	0508185		•	•																
0019	ИНДИКАТОРНАЯ ЛАМПА	0507656		•	•																
0022	ПРЕДОХРАНИТЕЛЬНЫЙ КЛАПАН (1/2" 7 БАР)	65109003		•	•																
0023	МАГНИЕВЫЙ АНОД D:16 L:150 M5	65103326		•	•																
0027	СКОБА ФЛАНЦА	065160730		•	•																
0031	ГАЙКА M6	570069		•	•																
0040	КРЫШКА ПЛАСТИКОВАЯ ПЕРЕДНЯЯ 15 Л	065160325		•																	
	КРЫШКА ПЛАСТИКОВАЯ ПЕРЕДНЯЯ 25 Л	065160329			•																
0043	КРЫШКА ПЛАСТИКОВАЯ ЗАДНЯЯ 15 Л	0507439		•																	
	КРЫШКА ПЛАСТИКОВАЯ ЗАДНЯЯ 25 Л	0507440			•																
0044	ЗАЖИМ ДЛЯ КАБЕЛЯ	507444		•	•																
0050	КАБЕЛЬ ПИТАНИЯ	65161289		•	•																
0064	КРОНШТЕЙН	0507367			•																
	КРОНШТЕЙН	0507428		•																	
0068	КРЫШКА ИНДИКАТОРНОЙ ЛАМПЫ (ORANGE)	0507371		•	•																
0069	КРЫШКА ИНДИКАТОРНОЙ ЛАМПЫ (RED)	0507383		•	•																

LIST OF THE ABBREVIATIONS

HW	: Hot water.
CW	: Cold water.
C	: Ceramic resistance (normal heating).
Ca	: Ceramic resistance (accelerated heating)
TP	: Immersion heater.
1F	: With fittings.
2F	: Without fittings.
3F	: With fittings and another outlet connection.
AMI	: With mixing valve.
SMI	: Without mixing valve.
PUISS	: Power of th appliance.
PN	: Appliance with normal pression.
LP	: Appliance with low pression.
PV	: Appliance with variable power.
PF	: Appliance with fixed power.

IDENTIFICATION PLATE

SERIAL NUMBER

6 Characters :
 Year of manufacture 03 09 08 Manufacturing day
 Month of manufacture

9 Characters :
 Year of manufacture 5 9 12 0606 Sequential number
 Month of manufacture

14 Characters :
 SI-V-0B0 45 07 0001
 Sequential number
 Year of manufacture : 6 → 2004
 Month of manufacture : → 25 → January 43 → July 7 → 2005
 13 → February 29 → August 8 → 2006
 32 → March 40 → September etc ...
 35 → April 38 → October
 39 → May 51 → November
 45 → June 12 → December

15 Characters :
 Year of manufacture 02 11 00001 007843 Code appareil
 Month of manufacture Sequential number

21 Characters :
 3200050 XX 08115 0000001
 Product reference Sequential number
 Year (08) / Manufacturing day (115)

22 Characters :
 3200050 XX 070115 0000001
 Product reference Sequential number
 Year (07) / Month (01) / Manufacturing day (15)

The indications mentioned on the prices, commercial or technical literature and the scheme are written for your guidance and are available at a given time. The CONSTRUCTOR retains the power to modify the presentation, the form, the size, the conception or the material of the products.