



ARISTON

SPARE PARTS EXPLODED VIEW STORAGE ELECTRIC WATER HEATERS

Model

ABS PRO ECO PW V

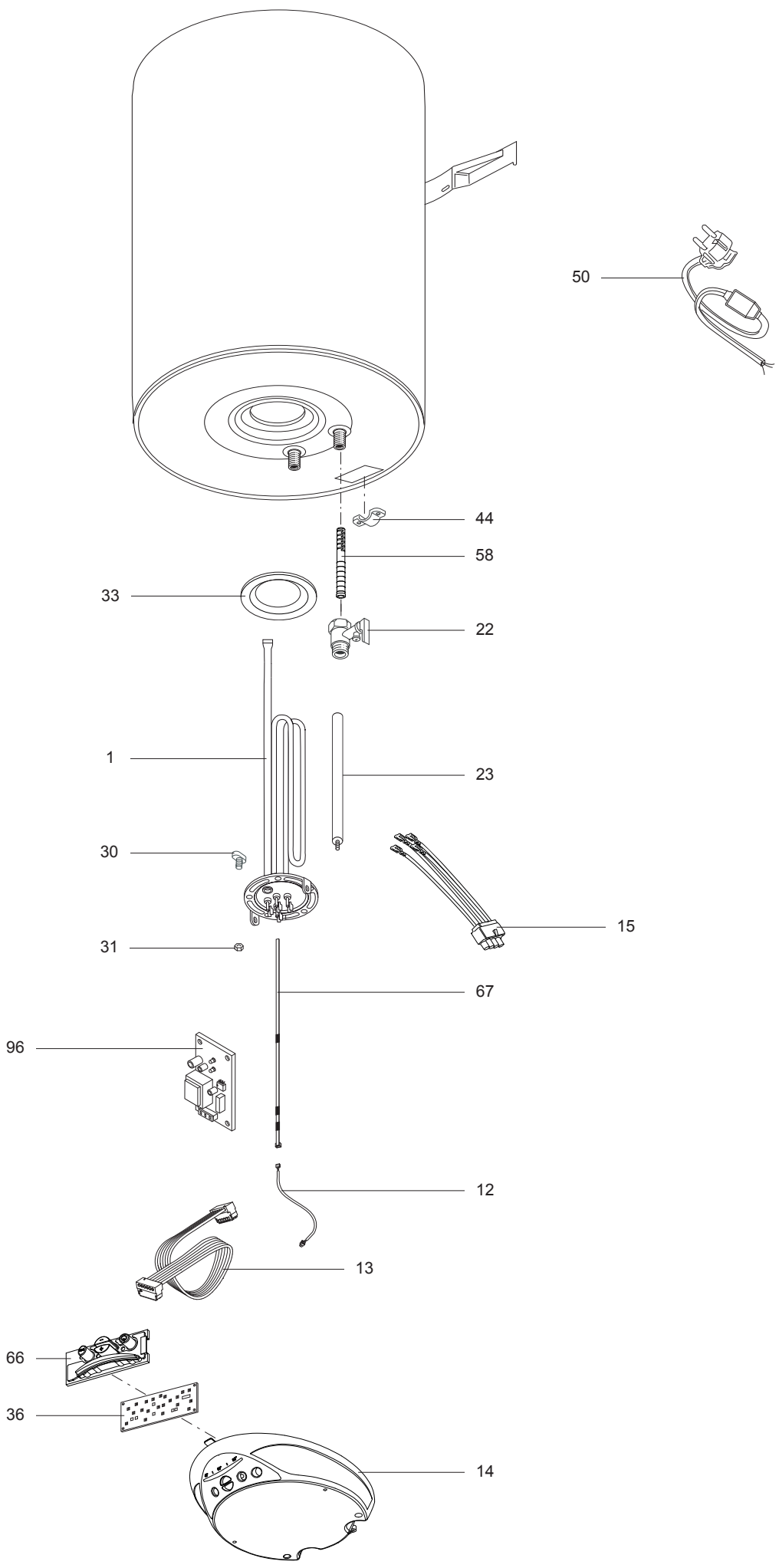
R8216891-01 - 31/01/2013

ABS PRO ECO PW V

Storage Electric Water Heaters

1	3700316	ABS PRO ECO PW 50 V	02-2013	-
2	3700317	ABS PRO ECO PW 80 V	02-2013	-
3	3700318	ABS PRO ECO PW 100 V	02-2013	-
4	3700319	ABS PRO ECO PW 120V	02-2013	-
5	3700320	ABS PRO ECO PW 150 V	02-2013	-

Col	Reference	Model type	Begin	End
-----	-----------	------------	-------	-----



LIST OF THE ABBREVIATIONS

HW	: Hot water.
CW	: Cold water.
C	: Ceramic resistance (normal heating).
Ca	: Ceramic resistance (accelerated heating)
TP	: Immersion heater.
1F	: With fittings.
2F	: Without fittings.
3F	: With fittings and another outlet connection.
AMI	: With mixing valve.
SMI	: Without mixing valve.
PUISS	: Power of th appliance.
PN	: Appliance with normal pression.
LP	: Appliance with low pression.
PV	: Appliance with variable power.
PF	: Appliance with fixed power.

IDENTIFICATION PLATE

SERIAL NUMBER

6 Characters : 03 09 08
 Year of manufacture ——— Manufacturing day
 Month of manufacture

9 Characters : M 12 10 0606
 Year of manufacture ——— Sequential number
 Month of manufacture

14 Characters : SI-V-0B0 45 07 0001
 Sequential number
 Year of manufacture : → 6 → 2004
 Month of manufacture : → 25 → January 43 → July 7 → 2005
 13 → February 29 → August 8 → 2006
 32 → March 40 → September etc ...
 35 → April 38 → October
 39 → May 51 → November
 45 → June 12 → December

15 Characters : 02 11 00001 007843
 Year of manufacture ——— Code appareil
 Month of manufacture ——— Sequential number

21 Characters : 3200050 XX 08115 0000001
 Product reference ——— Sequential number
 Year (08) / Manufacturing day (115)

22 Characters : 3200050 XX 070115 0000001
 Product reference ——— Sequential number
 Year (07) / Month (01) / Manufacturing day (15)