



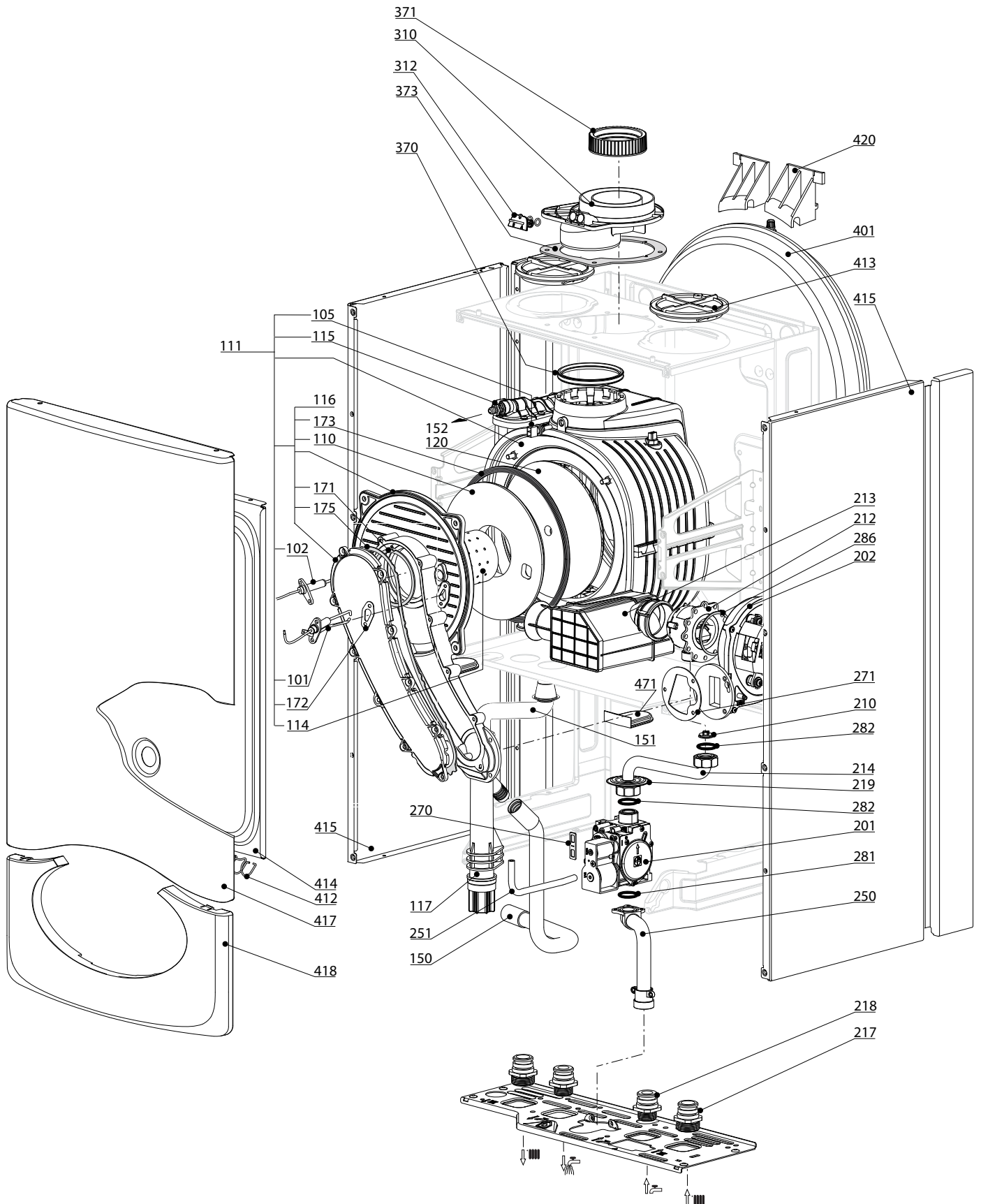
SPARE PARTS EXPLODED VIEW GAS-WALL CONDENSING BOILERS

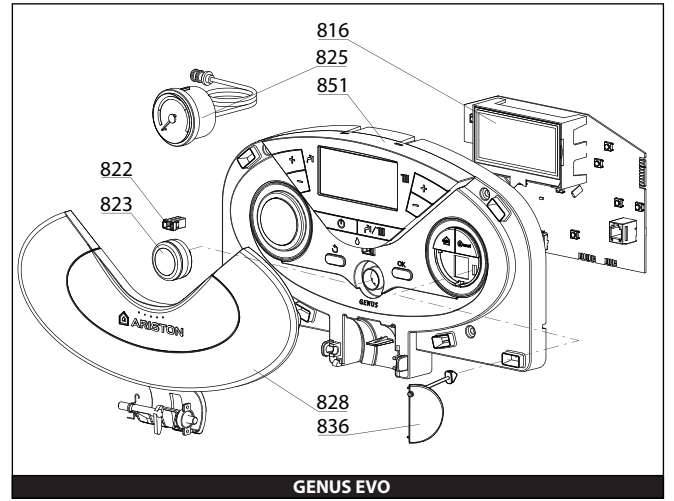
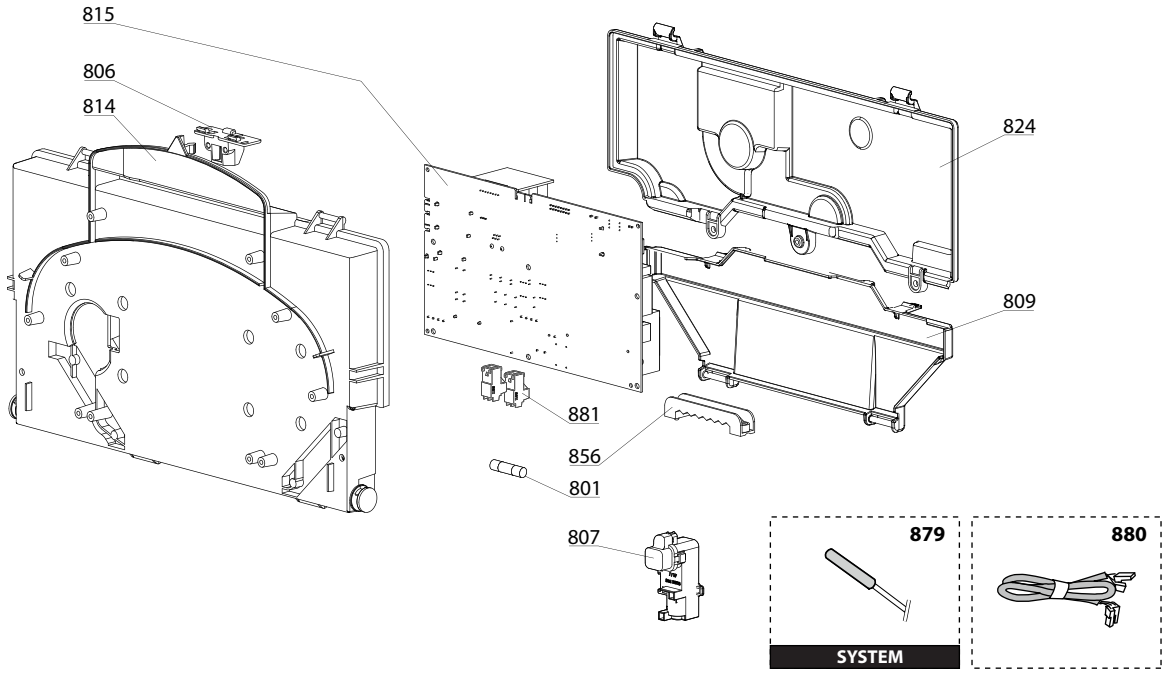
Model

GENUS PREMIUM EVO

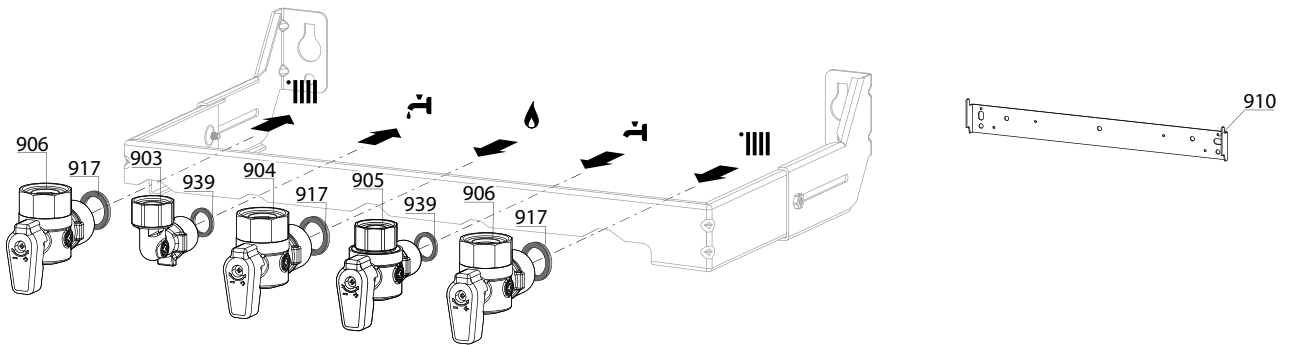
R8203443-03 - 10/01/2017

1	3300446	GENUS PREMIUM EVO 24	05-2012	01-2016
1	3300704	GENUS PREMIUM EVO 24 EU	01-2015	-
1	3300811	GENUS PREMIUM EVO 24 EU A+		
1	3300905	GENUS PREMIUM NET 24 EU		
2	3300447	GENUS PREMIUM EVO 30	05-2012	01-2016
2	3300705	GENUS PREMIUM EVO 30 EU	01-2015	-
3	3300448	GENUS PREMIUM EVO 35	05-2012	01-2016
3	3300706	GENUS PREMIUM EVO 35 EU	01-2015	-
3	3300810	GENUS PREMIUM EVO 35 EU A+		
3	3300906	GENUS PREMIUM NET 35 EU		
4	3300449	GENUS PREMIUM EVO SYSTEM 12	07-2012	01-2016
4	3300707	GENUS PREMIUM EVO SYSTEM 12 EU	01-2015	-
5	3300450	GENUS PREMIUM EVO SYSTEM 18	05-2012	01-2016
5	3300708	GENUS PREMIUM EVO SYSTEM 18 EU	01-2015	-
6	3300451	GENUS PREMIUM EVO SYSTEM 24	05-2012	01-2016
6	3300709	GENUS PREMIUM EVO SYSTEM 24 EU	01-2015	-
6	3300812	GENUS PREMIUM EVO 24 SYS EU A+		
7	3300452	GENUS PREMIUM EVO SYSTEM 30	05-2012	01-2016
7	3300710	GENUS PREMIUM EVO SYSTEM 30 EU	01-2015	-
8	3300453	GENUS PREMIUM EVO SYSTEM 35	05-2012	01-2016
8	3300711	GENUS PREMIUM EVO SYSTEM 35 EU	01-2015	-
Col	Reference	Model type	Begin	End





900



5000

5001
 Transf. gaz
 Conv. gas
 Trsf. gas
 Transf. gas
> G31
 (LPG - GPL)

5002
 Transf. gaz
 Conv. gas
 Trsf. gas
 Transf. gas
> G20
 (NAT - MET)

5020
 Options
 Accessories
 Opzioni
 Accessorio

5023

5024

WIFI

LIST OF THE ABBREVIATIONS

HW	: Hot water.
CW	: Cold water.
C	: Ceramic resistance (normal heating).
Ca	: Ceramic resistance (accelerated heating)
TP	: Immersion heater.
1F	: With fittings.
2F	: Without fittings.
3F	: With fittings and another outlet connection.
AMI	: With mixing valve.
SMI	: Without mixing valve.
PUISS	: Power of th appliance.
PN	: Appliance with normal pression.
LP	: Appliance with low pression.
PV	: Appliance with variable power.
PF	: Appliance with fixed power.

IDENTIFICATION PLATE

SERIAL NUMBER

10 Characters :	04 05 125 011		
		Sequential number	
		Manufacturing day	
		Year of manufacture	
11 Characters :	1 95 065004 - 31		
Month of manufacture :		Technical number of the appliance	
from 1 to 9 → Jan. to Sep.,		Sequential number	
O → Oct., N → Nov.,		Year of manufacture	
D → Dec.			
19 Characters :	08 05 0013199 900640031		
Year of manufacture		Product reference	
Month of manufacture		Sequential number	
20 Characters :	3675007 XX 2 07 070 00315		
Product reference		Sequential number	
Millenium of manufacture		Manufacturing day	
		Year of manufacture	
21 Characters :	3675007 XX 07 070 0000315		
Product reference		Sequential number	
Year of manufacture		Manufacturing day	