



ARISTON

# SPARE PARTS EXPLODED VIEW STORAGE ELECTRIC WATER HEATERS

Model

## **ABS PRO ECO V**

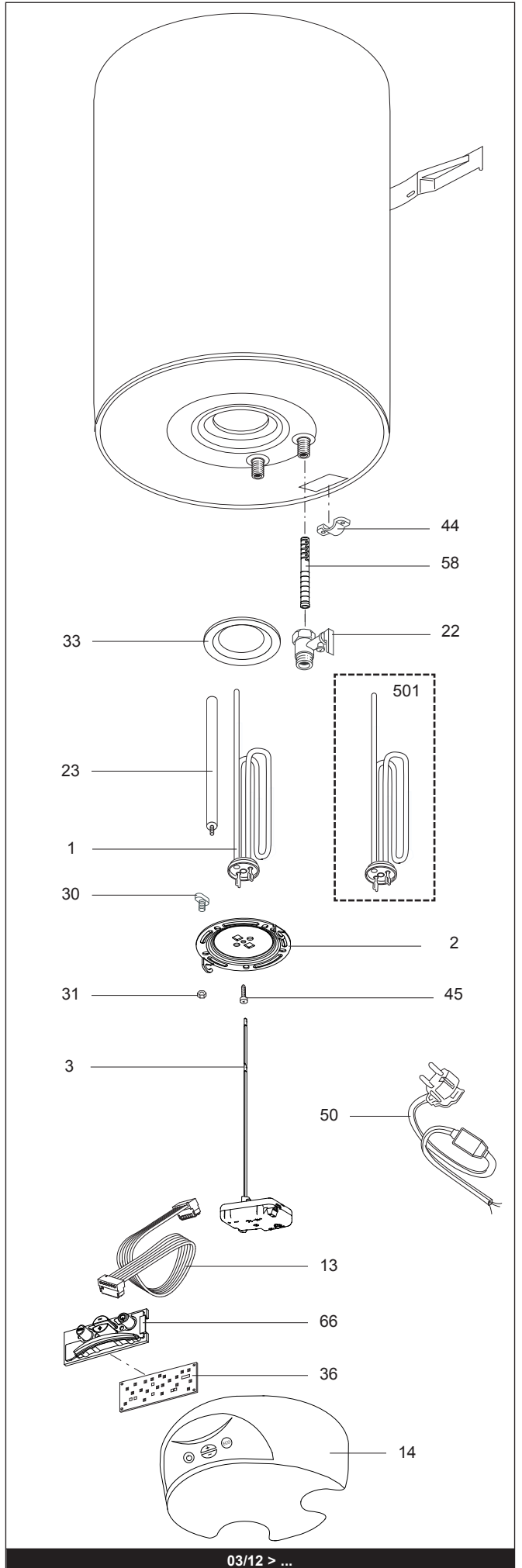
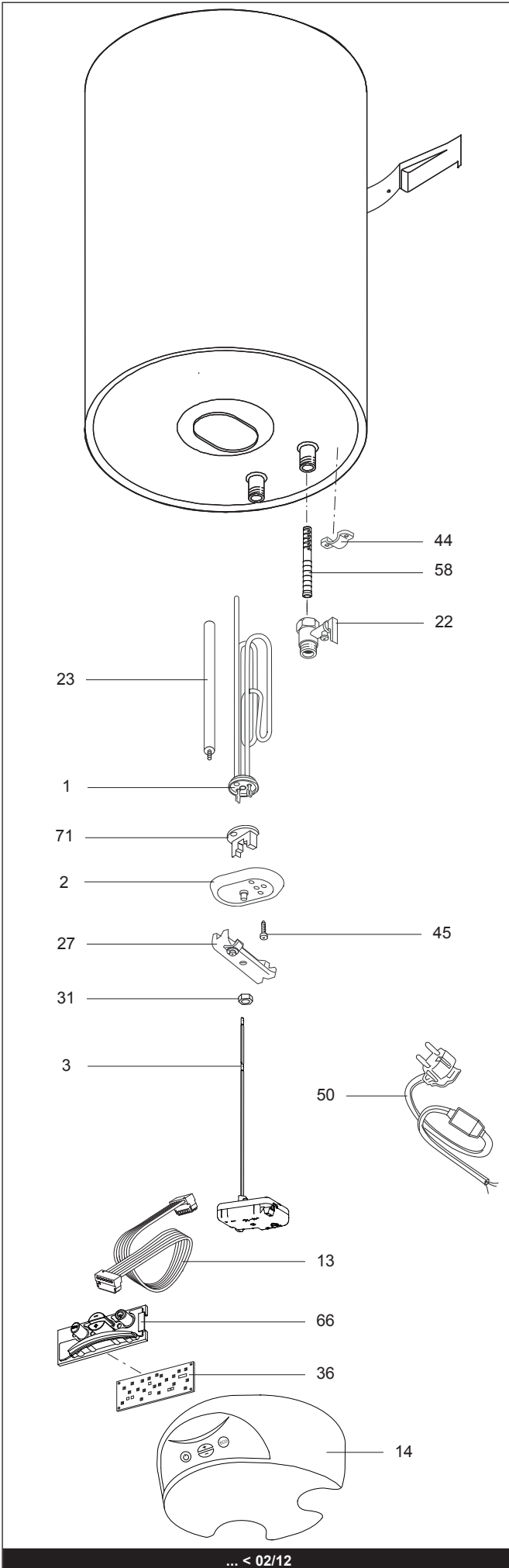
R8216296-08 - 09/04/2014

ABS PRO ECO V

Storage Electric Water Heaters

1	3700165	ABS PRO ECO 50 V	02-2009	-
2	3700166	ABS PRO ECO 80 V	02-2009	-
3	3700167	ABS PRO ECO 100 V	02-2009	-
4	3700168	ABS PRO ECO 120V	02-2009	-
5	3700169	ABS PRO ECO 150 V	02-2009	-

Col	Reference	Model type	Begin	End
-----	-----------	------------	-------	-----



☉⇒	Description	Manf. Pt. N	Type																			From	to
				1	2	3	4	5	6	7	8	9	10	11	12	13	14	15	16	17	18		
0001	НАГРЕВАТЕЛЬНЫЙ ЭЛЕМЕНТ 1500W 220-240V	65111790		•	•	•														03/12			
	НАГРЕВАТЕЛЬНЫЙ ЭЛЕМЕНТ 1500W 230V	816616		•	•	•															02/12		
	НАГРЕВАТЕЛЬНЫЙ ЭЛЕМЕНТ 1800W 228V	65111868					•	•												03/12			
	НАГРЕВАТЕЛЬНЫЙ ЭЛЕМЕНТ 1800W 230V	65108913					•	•													02/12		
0002	ФЛАНЕЦ НА 5 БОЛТАХ	65111789		•	•	•	•	•												03/12			
	ФЛАНЕЦ С ПРОКЛАДКОЙ	65108275		•	•	•	•	•													02/12		
0003	ЭЛЕКТРОННЫЙ ТЕРМОСТАТ	65108564		•	•	•															02/12		
	ЭЛЕКТРОННЫЙ ТЕРМОСТАТ	65108567					•	•													02/12		
	ЭЛЕКТРОННЫЙ ТЕРМОСТАТ	65111946		•	•	•														03/12			
	ЭЛЕКТРОННЫЙ ТЕРМОСТАТ	65111948					•	•												03/12			
0013	КАБЕЛЬ ДИСПЛЕЯ	65109619		•	•	•	•	•															
0014	КРЫШКА ПЛАСТИКОВАЯ	65108576		•	•	•	•	•															
0022	ПРЕДОХРАНИТЕЛЬНЫЙ КЛАПАН (1/2" 7 БАР)	65109003		•	•	•	•	•													02/12		
	ПРЕДОХРАНИТЕЛЬНЫЙ КЛАПАН (1/2" 8,5 БАР)	571730		•	•	•	•	•												03/12			
0023	МАГНИЕВЫЙ АНОД D:25,5 L:230 M5-M8	993014-01		•	•	•	•	•															
0027	СКОБА ФЛАНЦА	993011		•	•	•	•	•													02/12		
0030	ВИНТ М6Х20	65151225		•	•	•	•	•												03/12			
0031	ГАЙКА М6	994140		•	•	•	•	•												03/12			
	ГАЙКА М8	570127		•	•	•	•	•													02/12		
0033	ПРОКЛАДКА ФЛАНЦА	65111788		•	•	•	•	•												03/12			
0036	ПЛАТА ДИСПЛЕЯ	65108273		•	•	•	•	•															
0044	ЗАЖИМ ДЛЯ КАБЕЛЯ	573266		•	•	•	•	•															
0045	ВИНТ М6Х12	993000		•	•	•	•	•															
0050	КАБЕЛЬ ПИТАНИЯ С УЗО	65150868		•	•	•	•	•															
0058	РАССЕКATEЛЬ ВОДЫ (1/2" H=72)	65113698		•	•	•	•	•															
0066	КНОПКИ УПРАВЛЕНИЯ	65108578		•	•	•	•	•															
0071	ИЗОЛЯТОР КЛЕММ ТЭНА (NEUTRAL)	993010		•	•	•															02/12		
	ИЗОЛЯТОР КЛЕММ ТЭНА (YELLOW)	65103482					•	•													02/12		
<b>0500</b>	<b>АКСЕССУАРЫ</b>																						
0501	НАГРЕВАТЕЛЬНЫЙ ЭЛЕМЕНТ 1500W 220-240V	65114097		•	•	•														03/12			

## LIST OF THE ABBREVIATIONS

HW .....	: Hot water.
CW .....	: Cold water.
C .....	: Ceramic resistance (normal heating).
Ca .....	: Ceramic resistance (accelerated heating)
TP .....	: Immersion heater.
1F .....	: With fittings.
2F .....	: Without fittings.
3F .....	: With fittings and another outlet connection.
AMI .....	: With mixing valve.
SMI .....	: Without mixing valve.
PUISS .....	: Power of th appliance.
PN .....	: Appliance with normal pression.
LP .....	: Appliance with low pression.
PV .....	: Appliance with variable power.
PF .....	: Appliance with fixed power.

## IDENTIFICATION PLATE

### SERIAL NUMBER

**6 Characters :**  
 Year of manufacture     03 09 08     Manufacturing day  
 Month of manufacture

**9 Characters :**  
 Year of manufacture     M 12 10 0606     Sequential number  
 Month of manufacture

**14 Characters :**  
 SI-V-0B0 45 07 0001  
 Sequential number  
 Year of manufacture : → 6 → 2004  
 Month of manufacture : → 25 → January 43 → July 7 → 2005  
 13 → February 29 → August 8 → 2006  
 32 → March 40 → September etc ...  
 35 → April 38 → October  
 39 → May 51 → November  
 45 → June 12 → December  
 Product model

**15 Characters :**  
 Year of manufacture     02 11 00001 007843     Code appareil  
 Month of manufacture Sequential number

**21 Characters :**  
 Product reference     3200050 XX 08115 0000001     Sequential number  
 Year (08) / Manufacturing day (115)

**22 Characters :**  
 Product reference     3200050 XX 070115 0000001     Sequential number  
 Year (07) / Month (01) / Manufacturing day (15)

The indications mentioned on the prices, commercial or technical literature and the scheme are written for your guidance and are available at a given time. The CONSTRUCTOR retains the power to modify the presentation, the form, the size, the conception or the material of the products.