



**ARISTON**

# SPARE PARTS EXPLODED VIEW STORAGE ELECTRIC WATER HEATERS

Model

## **ABS PRO PLUS PW SLIM**

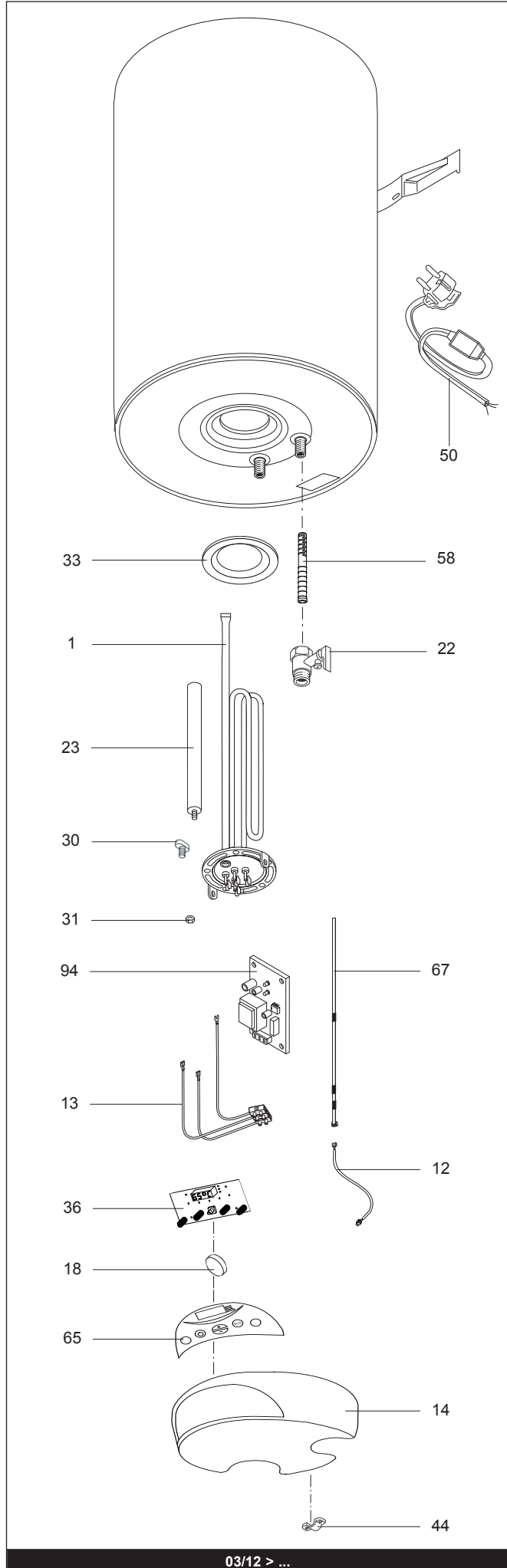
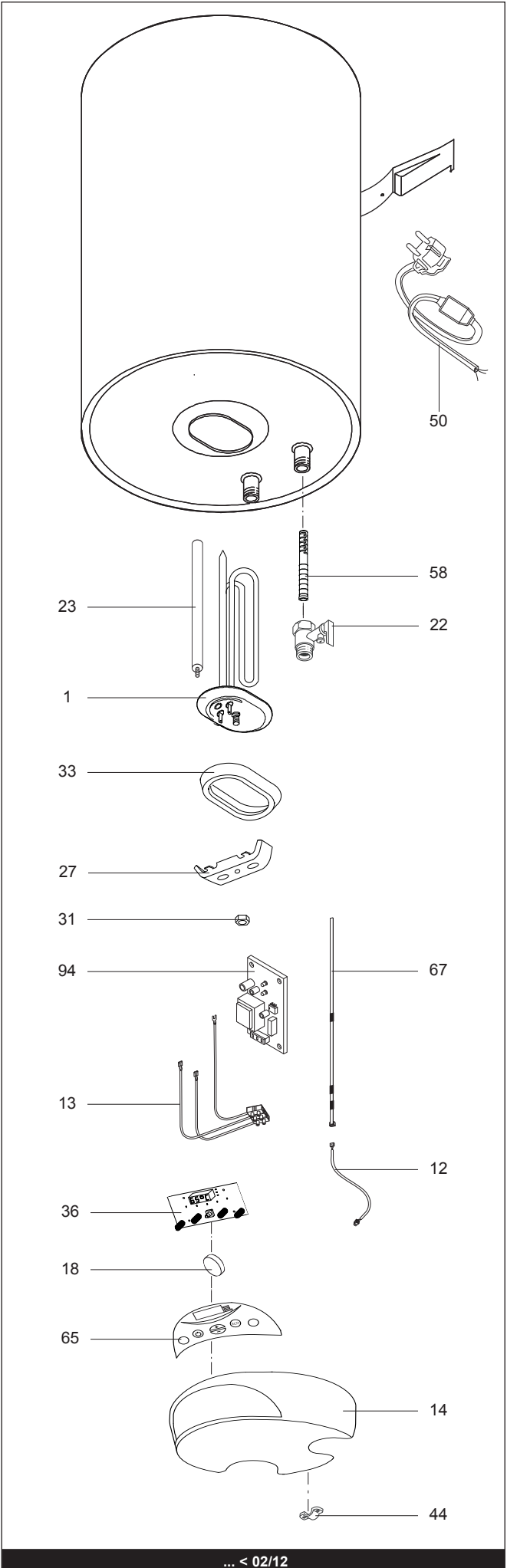
R8216309-06 - 28/08/2014

ABS PRO PLUS PW SLIM

Storage Electric Water Heaters

1	3700183	ABS PRO PLUS PW 30 V SLIM	10-2008	06-2013
2	3700184	ABS PRO PLUS PW 50 V SLIM	02-2009	01-2013
3	3700185	ABS PRO PLUS PW 65 V SLIM	10-2008	06-2013
4	3700186	ABS PRO PLUS PW 80 V SLIM	02-2009	01-2013

Col	Reference	Model type	Begin	End
-----	-----------	------------	-------	-----



☉⇒	Description	Manf. Pt. N	Type																			From	to
				1	2	3	4	5	6	7	8	9	10	11	12	13	14	15	16	17	18		
0001	НАГРЕВАТЕЛЬНЫЙ ЭЛЕМЕНТ 1000+1500W 230V	65150870		●	●	●	●														02/12		
	НАГРЕВАТЕЛЬНЫЙ ЭЛЕМЕНТ 1000+1500W 230V	65151746		●	●	●	●													03/12			
0012	КАБЕЛЬ ДАТЧИКА ТЕМПЕРАТУРЫ	65102590		●	●	●	●																
0013	КАБЕЛЬ (НАГР. ЭЛЕМЕНТ/ОСНОВНАЯ ПЛАТА)	65108285		●	●	●	●														08/10		
	КАБЕЛЬ (НАГР. ЭЛЕМЕНТ/ОСНОВНАЯ ПЛАТА)	65111032		●	●	●	●													09/10			
0014	КРЫШКА ПЛАСТИКОВАЯ	65150967		●	●	●	●																
0018	РУЧКА РЕГУЛИРОВАНИЯ	65150963		●	●	●	●																
0022	ПРЕДОХРАНИТЕЛЬНЫЙ КЛАПАН (1/2" 7 БАР)	65109003		●	●	●	●														02/12		
	ПРЕДОХРАНИТЕЛЬНЫЙ КЛАПАН (1/2" 8,5 БАР)	571730		●	●	●	●													03/12			
0023	МАГНИЕВЫЙ АНОД D:21,3 L:180 M5	65180015		●	●	●	●																
0027	СКОБА ФЛАНЦА	65150841		●	●	●	●														12/08		
	СКОБА ФЛАНЦА	65180038		●	●	●	●													01/09	02/12		
0030	ВИНТ M6X20	65151225		●	●	●	●													03/12			
0031	ГАЙКА M6	994140		●	●	●	●													03/12			
	ГАЙКА M8	570127		●	●	●	●														02/12		
0033	ПРОКЛАДКА ФЛАНЦА	570177		●	●	●	●														02/12		
	ПРОКЛАДКА ФЛАНЦА	65150952		●	●	●	●													03/12			
0036	ПЛАТА ДИСПЛЕЯ	65150964		●	●	●	●																
0044	ЗАЖИМ ДЛЯ КАБЕЛЯ	573266		●	●	●	●																
0050	КАБЕЛЬ ПИТАНИЯ С УЗО	65150965		●	●	●	●																
0058	РАССЕКАТЕЛЬ ВОДЫ (1/2" H=82)	65113700		●	●	●	●																
0065	ПАНЕЛЬ УПРАВЛЕНИЯ	65150966		●	●	●	●																
0067	ДАТЧИК ТЕМПЕРАТУРЫ	65102543		●	●	●	●																
0094	ОСНОВНАЯ ПЛАТА	65180047		●	●	●	●																

## LIST OF THE ABBREVIATIONS

HW .....	: Hot water.
CW .....	: Cold water.
C .....	: Ceramic resistance (normal heating).
Ca .....	: Ceramic resistance (accelerated heating)
TP .....	: Immersion heater.
1F .....	: With fittings.
2F .....	: Without fittings.
3F .....	: With fittings and another outlet connection.
AMI .....	: With mixing valve.
SMI .....	: Without mixing valve.
PUISS .....	: Power of th appliance.
PN .....	: Appliance with normal pression.
LP .....	: Appliance with low pression.
PV .....	: Appliance with variable power.
PF .....	: Appliance with fixed power.

## IDENTIFICATION PLATE

### SERIAL NUMBER

**6 Characters :**  
 Year of manufacture 03 09 08 Manufacturing day  
 Month of manufacture

**9 Characters :**  
 Year of manufacture M 12 10 0606 Sequential number  
 Month of manufacture

**14 Characters :**  
 SI-V-0B0 45 07 0001  
 Sequential number  
 Year of manufacture : 6 → 2004  
 Month of manufacture : → 25 → January 43 → July 7 → 2005  
 13 → February 29 → August 8 → 2006  
 32 → March 40 → September etc ...  
 35 → April 38 → October  
 39 → May 51 → November  
 45 → June 12 → December

**15 Characters :**  
 Year of manufacture 02 11 00001 007843 Code appareil  
 Month of manufacture Sequential number

**21 Characters :**  
 3200050 XX 08115 0000001  
 Product reference Sequential number  
 Year (08) / Manufacturing day (115)

**22 Characters :**  
 3200050 XX 070115 0000001  
 Product reference Sequential number  
 Year (07) / Month (01) / Manufacturing day (15)

The indications mentioned on the prices, commercial or technical literature and the scheme are written for your guidance and are available at a given time. The CONSTRUCTOR retains the power to modify the presentation, the form, the size, the conception or the material of the products.