



## SPARE PARTS EXPLODED VIEW ACCESSORIES FOR CONTROLLERS Model TERMOREGOLAZIONE GALILEO-GALEVO

R8216903-09 - 13/03/2019

|     |           |  |         |         |
|-----|-----------|--|---------|---------|
| 1   | 3318585   | Sensys IT-GB-FR-ES-PT                    | 05-2012 | -       |
| 1   | 3318613   | Sensys TR-RUS-GR-CR-SRB                  | 05-2012 | -       |
| 1   | 3318615   | Sensys PL-CZ-HU-RO                       | 05-2012 | -       |
| 1   | 3318596   | Expert Control ebus2                     | 05-2012 | 08-2016 |
| 1   | 3318617   | Expert Control SP-PT-GR-CR               | 05-2012 | -       |
| 1   | 3318619   | Expert Control RUS-PL-CZ                 | 05-2012 | -       |
| 1   | 3318607   | REMOCON PLUS ELCO                        | 05-2012 | 06-2015 |
| 1   | 3318590   | CRONOTERMOSTATO WIRED GAL EVO AR         | 05-2012 | -       |
| 1   | 3318601   | Cronotermostato ON-OFF con fili          | 05-2012 | -       |
| 1   | 3318591   | CRONOTERMOST+RICEVIT WIRELESS GAL EVO AR | 05-2012 | -       |
| 1   | 3318602   | Cronotermostato ON-OFF senza fili        | 05-2012 | -       |
| 1   | 3318593   | CRONOTERMOSTATO BUS GAL EVO AR           | 05-2012 | -       |
| 1   | 3318604   | Cronotermostato ON-OFF senza fili ebus2  | 05-2012 | -       |
| 1   | 3318586   | SENSORE AMBIENTE WIRED GAL EVO AR        | 05-2012 | 11-2017 |
| 1   | 3318597   | Zone Controller Chaffoteaux              | 05-2012 | 12-2017 |
| 1   | 3318608   | SENSORE AMBIENTE WIRED GAL EVO ELCO      | 10-2011 | 01-2018 |
| 1   | 3318594   | TERMOSTATO GAL EVO AR                    | 05-2012 | -       |
| 1   | 3318605   | Termostato ambiente ON-OFF               | 05-2012 | -       |
| 1   | 3318588   | SONDA ESTERNA WIRED GAL EVO AR           | 05-2012 | -       |
| 1   | 3318599   | Sonda esterna con fili ebus2             | 05-2012 | -       |
| 1   | 3318610   | SONDA TEMPERATURA ESTERNA                | 05-2012 | -       |
| 1   | 3318229   | BUS INTERFACE                            | 10-2006 | 03-2018 |
| 1   | 3318230   | CLIMA MANAGER AR                         | 10-2006 | 09-2018 |
| 1   | 3318232   | SONDA ESTERNA                            | 10-2006 | -       |
| 1   | 3318233   | RICEVITORE DISPO MODULANTI SENZA FILI AR | 04-2007 | 09-2009 |
| 1   | 3318235   | SENSORE AMBIENTE SENZA FILI AR           | 04-2007 | 11-2012 |
| 1   | 3318236   | SONDA ESTERNA SENZA FILI AR              | 04-2007 | 11-2012 |
| 1   | 3318237   | RIPETITORE PER DISP MODULANTI SENZA FILI | 05-2007 | 02-2011 |
| 1   | 3318238   | Termostato ambiente on/off               | 10-2006 | 04-2013 |
| 1   | 3318239   | CRONOTERMOSTATO CON FILI                 | 04-2007 | 03-2013 |
| 1   | 3318240   | RICEVITORE CRONOTERMOSTATO SENZA FILI    | 04-2007 | 04-2013 |
| 1   | 3318241   | CRONOTERMOSTATO SENZA FILI AR            | 04-2007 | 04-2013 |
| 1   | 3318331   | SENSORE AMBIENTE AR 3318447              | 04-2007 | 09-2009 |
| 1   | 3318298   | CONTROLLO REMOTO CHX                     | 05-2007 | 01-2017 |
| 1   | 3318299   | SENSORE AMBIENTE CHX                     | 05-2007 | 09-2009 |
| 1   | 3318300   | TERMOSTATO AMBIENTE CHX                  | 05-2007 | 04-2013 |
| 1   | 3318301   | CRONOTERMOSTATO SETTIMANALE CHX          | 05-2007 | 04-2013 |
| 1   | 3318302   | SONDA ESTERNA CHX                        | 05-2007 | -       |
| 1   | 3318304   | SENSORE AMBIENTE SENZA FILI CHX          | 05-2007 | 02-2014 |
| 1   | 3318305   | RIPETITORE DISPO MODULANTI CHX           | 06-2007 | 02-2014 |
| 1   | 3318306   | RICEVITORE DISPO MOD SENZA FILI CHX      | 05-2007 | 09-2009 |
| 1   | 3318307   | CRONOTERMOSTATO SENZA FILI CHX           | 05-2007 | 04-2013 |
| 1   | 3318308   | RECEIVER WIRELESS CHRONOTERMOSTAT        | 05-2007 | 04-2013 |
| 1   | 3318309   | SONDA ESTERNA SENZA FILI CHX             | 05-2007 | 02-2014 |
| 1   | 3318330   | INTERFACCIA BUS CHX                      | 05-2007 | 03-2018 |
| 1   | 3318395   | SENSORE AMBIENTE ECOFLAM                 | 06-2008 | 09-2009 |
| 1   | 3318449   | SENSORE AMBIENTE MULTIBUS CHX            | 02-2010 | 03-2018 |
| 1   | 3318879   | COMANDO REMOCON PLUS                     | 11-2014 | -       |
| 1   | 3318880   | TERMOSTATO PROGRAMMABILE THI MINI        | 11-2014 | -       |
| 1   | 3318881   | TERMOSTATO PROGRAMMABILE RADIO THI MINI  | 11-2014 | -       |
| Col | Reference | Model type                               | Begin   | End     |



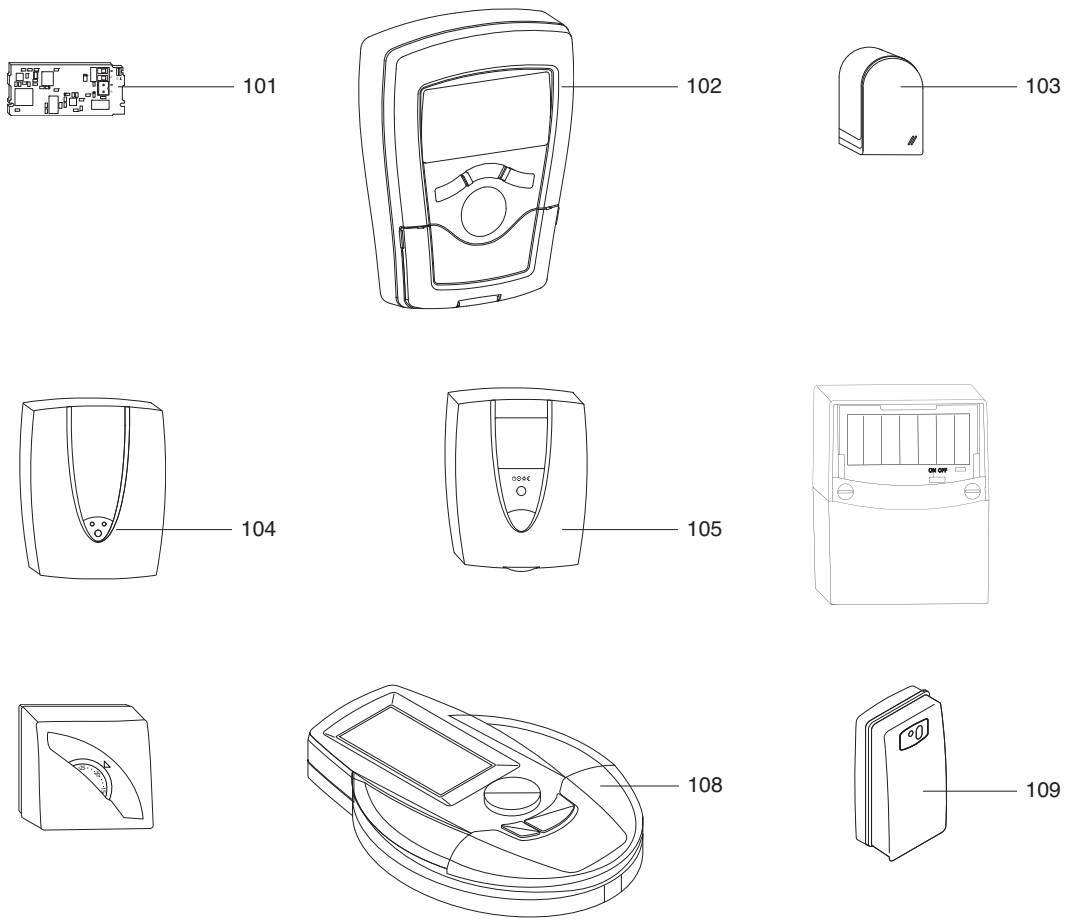


|   |         |                                      |         |   |
|---|---------|--------------------------------------|---------|---|
| 2 | 3318886 | ARISTON NET GPRS + SENSY             | 05-2015 | - |
| 2 | 3318890 | CHAFFOLINK GPRS + EXPERT CONTROL     | 05-2015 | - |
| 2 | 3318892 | CONNECTIVITY GPRS EXTERNAL ANTENNA   | 05-2015 | - |
| 3 | 3318884 | ARISTON NET WIFI + SENSY             | 05-2015 | - |
| 3 | 3318888 | CHAFFOLINK WIFI + EXPERT CONTROL     | 05-2015 | - |
| 4 | 3318885 | ARISTON NET WIFI + ROOM SENSOR       | 05-2015 | - |
| 4 | 3318889 | CHAFFOLINK WIFI + ZONE CONTROL       | 05-2015 | - |
| 5 | 3318887 | ARISTON NET GPRS + ROOM SENSOR       | 05-2015 | - |
| 5 | 3318891 | CHAFFOLINK GPRS + ZONE CONTROL       | 05-2015 | - |
| 6 | 3319220 | ARISTON NET GPRS/LAN + SENSY         | 07-2018 | - |
| 6 | 3319221 | CHAFFOLINK GPRS/LAN + EXPERT CONTROL | 07-2018 | - |
| 6 | 3319229 | ARISTON NET GPRS/LAN + SENSY_UK      | 07-2018 | - |
| 7 | 3319443 | CHAFFOLINK GPRS/LAN                  | 01-2019 | - |

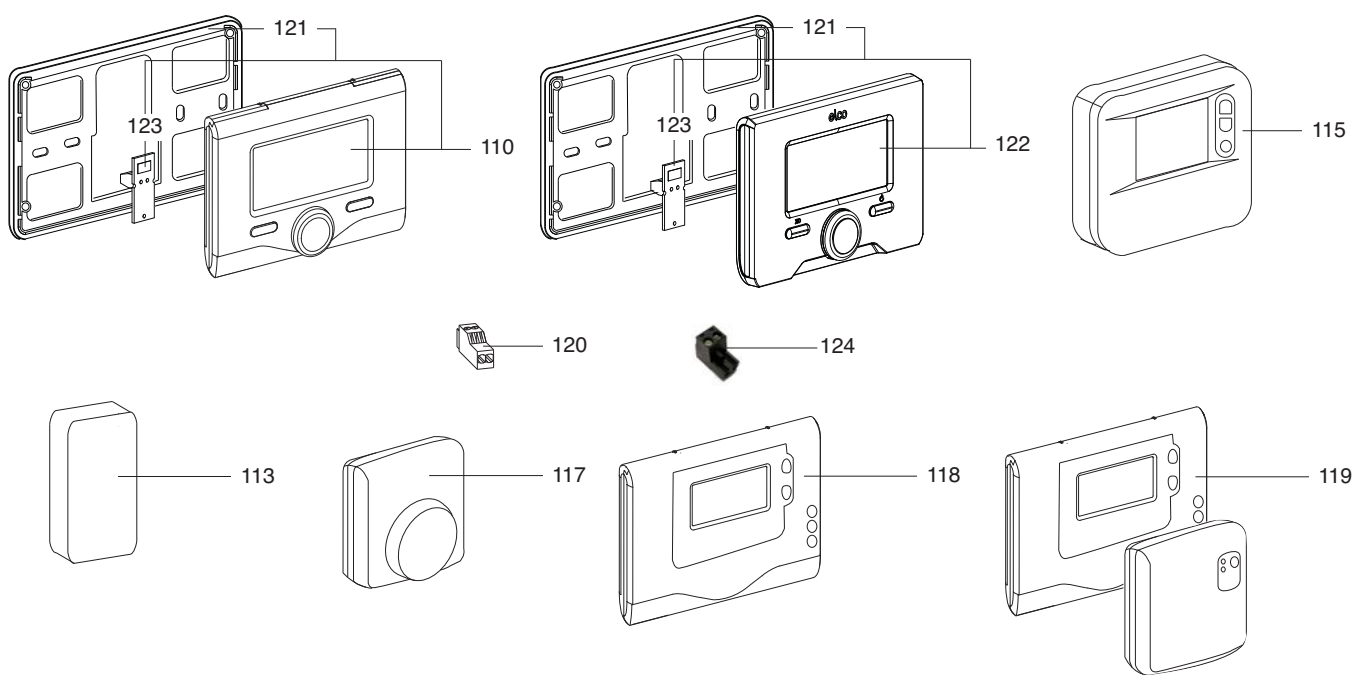
---

| Col | Reference | Model type | Begin | End |
|-----|-----------|------------|-------|-----|
|-----|-----------|------------|-------|-----|

**GALILEO**



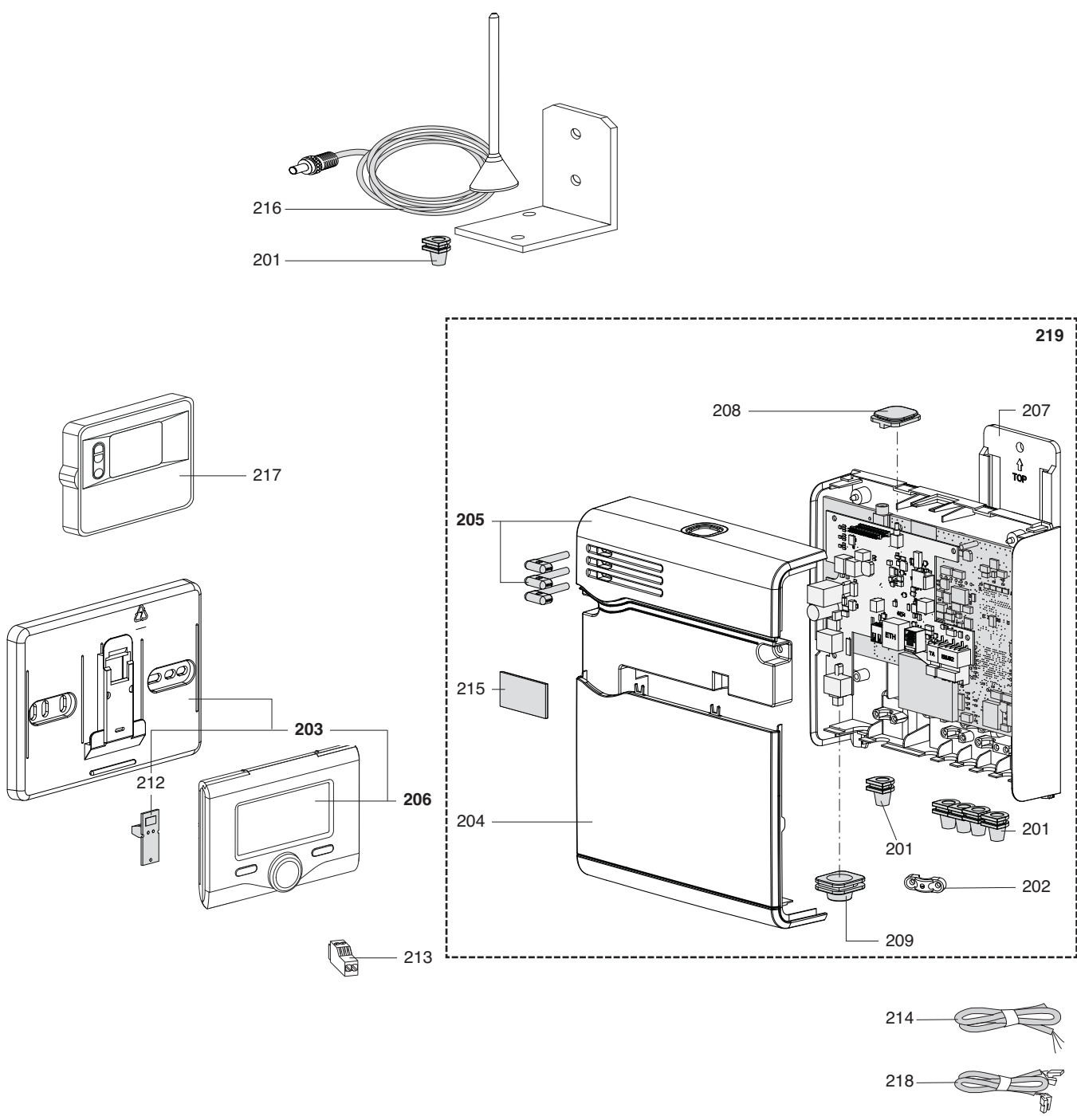
**GAL - EVO**



| ⊖→ | Description | Manf. Pt. N | Type |   |   |   |   |   |   |   |   |   |    |    |    |    |    | 31 |    |
|----|-------------|-------------|------|---|---|---|---|---|---|---|---|---|----|----|----|----|----|----|----|
|    |             |             |      | 1 | 2 | 3 | 4 | 5 | 6 | 7 | 8 | 9 | 10 | 11 | 12 | 13 | 14 | 15 | 16 |

|      |  |             |   |  |  |  |  |  |  |  |  |  |  |  |  |  |  |  |  |  |  |  |  |
|------|--|-------------|---|--|--|--|--|--|--|--|--|--|--|--|--|--|--|--|--|--|--|--|--|
| 0101 | P.C.B (CLIP-IN) E-BUS                    | 65109108    | • |  |  |  |  |  |  |  |  |  |  |  |  |  |  |  |  |  |  |  |  |
| 0102 | CLIMA MANAGER WIRED                      | 65109109    | • |  |  |  |  |  |  |  |  |  |  |  |  |  |  |  |  |  |  |  |  |
| 0103 | OUTSIDE HEAT SENSOR                      | 65109110    | • |  |  |  |  |  |  |  |  |  |  |  |  |  |  |  |  |  |  |  |  |
| 0104 | RECEIVER FOR MOD DEVICES WIRELESS        | 65109111    | • |  |  |  |  |  |  |  |  |  |  |  |  |  |  |  |  |  |  |  |  |
|      | REPEATER FOR MOD DEVICES WIRELESS        | 65109114    | • |  |  |  |  |  |  |  |  |  |  |  |  |  |  |  |  |  |  |  |  |
| 0105 | ROOM SENSOR WIRED                        | 65109119    | • |  |  |  |  |  |  |  |  |  |  |  |  |  |  |  |  |  |  |  |  |
| 0108 | WIRELESS CHRONOTHERMOSTAT                | 65109118    | • |  |  |  |  |  |  |  |  |  |  |  |  |  |  |  |  |  |  |  |  |
| 0109 | CHRONOTHERMOSTAT WIRELESS RECEIVER       | 65109117    | • |  |  |  |  |  |  |  |  |  |  |  |  |  |  |  |  |  |  |  |  |
| 0110 | SYSTEM INTERFACE                         | 65112083-07 | • |  |  |  |  |  |  |  |  |  |  |  |  |  |  |  |  |  |  |  |  |
| 0113 | EXTERNAL SENSOR WIRED                    | 65112215    | • |  |  |  |  |  |  |  |  |  |  |  |  |  |  |  |  |  |  |  |  |
| 0115 | MODULATING ROOM SENSOR GAL EVO           | 65112214    | • |  |  |  |  |  |  |  |  |  |  |  |  |  |  |  |  |  |  |  |  |
| 0117 | ROOM THERMOSTAT ON/OFF GAL EVO           | 65112219    | • |  |  |  |  |  |  |  |  |  |  |  |  |  |  |  |  |  |  |  |  |
| 0118 | CHRONOTHERMOSTAT BUS GAL EVO             | 65112218    | • |  |  |  |  |  |  |  |  |  |  |  |  |  |  |  |  |  |  |  |  |
|      | CHRONOTHERMOSTAT WIRED GAL EVO           | 65112216    | • |  |  |  |  |  |  |  |  |  |  |  |  |  |  |  |  |  |  |  |  |
| 0119 | CHRONOTHERM. + RECEIVER WIRELESS GAL EVO | 65112217    | • |  |  |  |  |  |  |  |  |  |  |  |  |  |  |  |  |  |  |  |  |
| 0120 | CONNECTOR 2P                             | 65111933    | • |  |  |  |  |  |  |  |  |  |  |  |  |  |  |  |  |  |  |  |  |
| 0121 | WALL PLATE                               | 65112824    | • |  |  |  |  |  |  |  |  |  |  |  |  |  |  |  |  |  |  |  |  |
| 0122 | REMOTE CONTROL                           | 65114449-05 | • |  |  |  |  |  |  |  |  |  |  |  |  |  |  |  |  |  |  |  |  |
| 0123 | P.C.B. CONNECTOR                         | 65112042    | • |  |  |  |  |  |  |  |  |  |  |  |  |  |  |  |  |  |  |  |  |
| 0124 | STELVIO CONNECTOR CPF 5/2 NE (SE)        | 65116733    | • |  |  |  |  |  |  |  |  |  |  |  |  |  |  |  |  |  |  |  |  |

|  |  |  |  |  |  |  |  |  |  |  |  |  |  |  |  |  |  |  |  |  |  |  |  |
|--|--|--|--|--|--|--|--|--|--|--|--|--|--|--|--|--|--|--|--|--|--|--|--|
|  |  |  |  |  |  |  |  |  |  |  |  |  |  |  |  |  |  |  |  |  |  |  |  |
|  |  |  |  |  |  |  |  |  |  |  |  |  |  |  |  |  |  |  |  |  |  |  |  |
|  |  |  |  |  |  |  |  |  |  |  |  |  |  |  |  |  |  |  |  |  |  |  |  |
|  |  |  |  |  |  |  |  |  |  |  |  |  |  |  |  |  |  |  |  |  |  |  |  |
|  |  |  |  |  |  |  |  |  |  |  |  |  |  |  |  |  |  |  |  |  |  |  |  |
|  |  |  |  |  |  |  |  |  |  |  |  |  |  |  |  |  |  |  |  |  |  |  |  |
|  |  |  |  |  |  |  |  |  |  |  |  |  |  |  |  |  |  |  |  |  |  |  |  |
|  |  |  |  |  |  |  |  |  |  |  |  |  |  |  |  |  |  |  |  |  |  |  |  |
|  |  |  |  |  |  |  |  |  |  |  |  |  |  |  |  |  |  |  |  |  |  |  |  |
|  |  |  |  |  |  |  |  |  |  |  |  |  |  |  |  |  |  |  |  |  |  |  |  |
|  |  |  |  |  |  |  |  |  |  |  |  |  |  |  |  |  |  |  |  |  |  |  |  |
|  |  |  |  |  |  |  |  |  |  |  |  |  |  |  |  |  |  |  |  |  |  |  |  |
|  |  |  |  |  |  |  |  |  |  |  |  |  |  |  |  |  |  |  |  |  |  |  |  |
|  |  |  |  |  |  |  |  |  |  |  |  |  |  |  |  |  |  |  |  |  |  |  |  |
|  |  |  |  |  |  |  |  |  |  |  |  |  |  |  |  |  |  |  |  |  |  |  |  |
|  |  |  |  |  |  |  |  |  |  |  |  |  |  |  |  |  |  |  |  |  |  |  |  |
|  |  |  |  |  |  |  |  |  |  |  |  |  |  |  |  |  |  |  |  |  |  |  |  |
|  |  |  |  |  |  |  |  |  |  |  |  |  |  |  |  |  |  |  |  |  |  |  |  |
|  |  |  |  |  |  |  |  |  |  |  |  |  |  |  |  |  |  |  |  |  |  |  |  |
|  |  |  |  |  |  |  |  |  |  |  |  |  |  |  |  |  |  |  |  |  |  |  |  |
|  |  |  |  |  |  |  |  |  |  |  |  |  |  |  |  |  |  |  |  |  |  |  |  |
|  |  |  |  |  |  |  |  |  |  |  |  |  |  |  |  |  |  |  |  |  |  |  |  |
|  |  |  |  |  |  |  |  |  |  |  |  |  |  |  |  |  |  |  |  |  |  |  |  |



| ☉→   | Description                    | Manf. Pt. N | Type | <div style="display: flex; justify-content: space-between; align-items: center;"> <div style="writing-mode: vertical-rl; transform: rotate(180deg); font-size: 8px;"> GPRS+REMOCOON<br/> WIFI+REMOCOON<br/> GPRS+ROOM SENSOR<br/> WIFI+ROOM SENSOR<br/> GPRS/LAN+REMOCOON<br/> GPRS/LAN </div> <div style="border: 1px solid black; padding: 2px;"> <span style="font-size: 10px;">31</span> </div> </div> |   |   |   |   |   |   |   |   |    |    |    |    |    |    |    |    |    | From | to |
|------|--------------------------------|-------------|------|--|---|---|---|---|---|---|---|---|----|----|----|----|----|----|----|----|----|------|----|
|      |                                |             |      | 1  | 2 | 3 | 4 | 5 | 6 | 7 | 8 | 9 | 10 | 11 | 12 | 13 | 14 | 15 | 16 | 17 | 18 |      |    |
| 0120 | CONNECTOR 2P                   | 65111933    |      | •  | • | • | • | • |   |   |   |   |    |    |    |    |    |    |    |    |    |      |    |
| 0201 | REMOTE PASS CABLE EXT V1       | 65114727    |      | •  | • | • | • | • | • |   |   |   |    |    |    |    |    |    |    |    |    |      |    |
| 0202 | WIRE CLAMP V0 REMOTE           | 65114726    |      | •  | • | • | • | • | • |   |   |   |    |    |    |    |    |    |    |    |    |      |    |
| 0203 | WALL PLATE                     | 65112824    |      |  |   |   |   |   | • |   |   |   |    |    |    |    |    |    |    |    |    |      |    |
|      | WALL PLATE (SYSTEM INTERFACE)  | 65114732    |      | •  | • |   |   |   | • |   |   |   |    |    |    |    |    |    |    |    |    |      |    |
| 0204 | LOWER COVER GATEWAY + GASKET   | 65114729    |      | •  | • | • | • | • | • |   |   |   |    |    |    |    |    |    |    |    |    |      |    |
| 0205 | UPPER COVER (GATEWAY)          | 65114728    |      | •  | • | • | • | • | • |   |   |   |    |    |    |    |    |    |    |    |    |      |    |
| 0206 | SYSTEM INTERFACE               | 65112083-07 |      | •  | • |   |   |   | • |   |   |   |    |    |    |    |    |    |    |    |    |      |    |
| 0207 | WALL PLATE REMOTE GATEWAY      | 65114733    |      | •  | • | • | • | • | • |   |   |   |    |    |    |    |    |    |    |    |    |      |    |
| 0208 | BUTTON START-UP REMOTE         | 65114730    |      | •  | • | • | • | • | • |   |   |   |    |    |    |    |    |    |    |    |    |      |    |
| 0209 | BUTTON ON-OFF REMOTE           | 65114731    |      | •  | • | • | • | • | • |   |   |   |    |    |    |    |    |    |    |    |    |      |    |
| 0212 | P.C.B. CONNECTOR               | 65112042    |      | •  | • | • | • | • | • |   |   |   |    |    |    |    |    |    |    |    |    |      |    |
| 0213 | CONNECTOR 2P                   | 65111933    |      | •  | • | • | • | • | • |   |   |   |    |    |    |    |    |    |    |    |    |      |    |
| 0214 | CABLE TA/EBUS2                 | 65114734    |      | •  | • | • | • | • | • |   |   |   |    |    |    |    |    |    |    |    |    |      |    |
| 0215 | STICKER WALL PLATE GW          | 65114725    |      | •  | • | • | • | • | • |   |   |   |    |    |    |    |    |    |    |    |    |      |    |
| 0216 | AERIAL (GSM)+CABLE             | 65114741    |      | •  |   |   |   |   |   |   |   |   |    |    |    |    |    |    |    |    |    |      |    |
| 0217 | MODULATING ROOM SENSOR GAL EVO | 65112214    |      |  |   |   | • | • |   |   |   |   |    |    |    |    |    |    |    |    |    |      |    |
| 0218 | CABLE RJ12 MOLEX REMOTE        | 65115360    |      | •  | • | • | • | • | • |   |   |   |    |    |    |    |    |    |    |    |    |      |    |
| 0219 | KIT REMOTE GATEWAY GPRS        | 65114915    |      | •  |   |   |   | • |   |   |   |   |    |    |    |    |    |    |    |    |    |      |    |
|      | KIT REMOTE GATEWAY GPRS/LAN    | 65118081    |      |  |   |   |   |   | • | • |   |   |    |    |    |    |    |    |    |    |    |      |    |
|      | KIT REMOTE GATEWAY WIFI        | 65114916    |      |  | • | • |   |   |   |   |   |   |    |    |    |    |    |    |    |    |    |      |    |

---

## LIST OF THE ABBREVIATIONS

|             |  |
|-------------|--|
| HW .....    | : Hot water.                                   |
| CW .....    | : Cold water.                                  |
| C .....     | : Ceramic resistance (normal heating).         |
| Ca .....    | : Ceramic resistance (accelerated heating)     |
| TP .....    | : Immersion heater.                            |
| 1F .....    | : With fittings.                               |
| 2F .....    | : Without fittings.                            |
| 3F .....    | : With fittings and another outlet connection. |
| AMI .....   | : With mixing valve.                           |
| SMI .....   | : Without mixing valve.                        |
| PUISS ..... | : Power of th appliance.                       |
| PN .....    | : Appliance with normal pression.              |
| LP .....    | : Appliance with low pression.                 |
| PV .....    | : Appliance with variable power.               |
| PF .....    | : Appliance with fixed power.                  |

---

The indications mentioned on the prices, commercial or technical literature and the scheme are written for your guidance and are available at a given time. The CONSTRUCTOR retains the power to modify the presentation, the form, the size, the conception or the material of the products.

---