



ARISTON

SPARE PARTS EXPLODED VIEW GAS-STANDING CONDENSING BOILER

Model

ALTEAS X - GENUS X

R8203463-07 - 09/09/2019

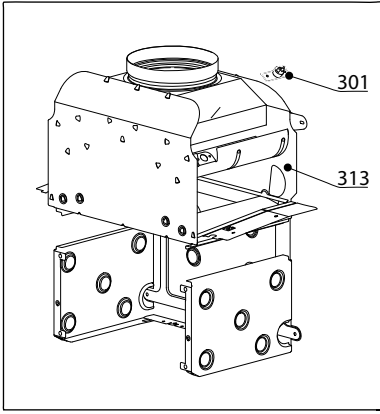
ALTEAS X - GENUS X

Gas-standing condensing boiler

1	3300844	ALTEAS X 24 CF NG	09-2016	-
2	3300846	ALTEAS X 30 CF NG	09-2016	-
3	3300845	ALTEAS X 24 FF NG	09-2016	-
4	3300847	ALTEAS X 30 FF NG	09-2016	-
5	3300848	ALTEAS X 32 FF NG	09-2016	-
6	3300849	ALTEAS X 35 FF NG	09-2016	-
7	3300850	GENUS X 24 CF NG	09-2016	-
8	3300852	GENUS X 30 CF NG	09-2016	-
9	3300851	GENUS X 24 FF NG	09-2016	-
10	3300853	GENUS X 30 FF NG	09-2016	-
11	3300854	GENUS X 32 FF NG	09-2016	-
12	3300855	GENUS X 35 FF NG	09-2016	-

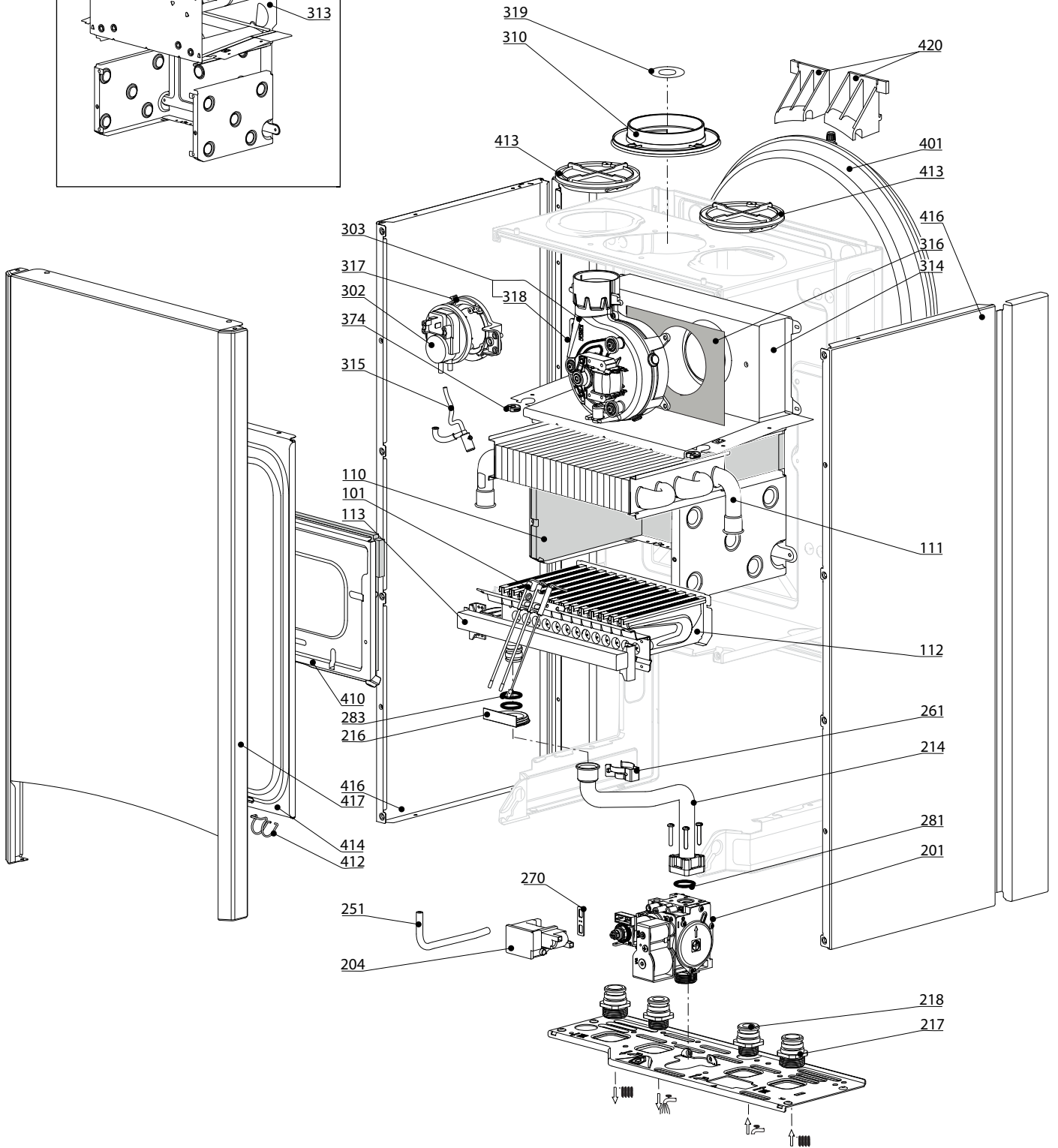
Col	Reference	Model type	Begin	End
-----	-----------	------------	-------	-----

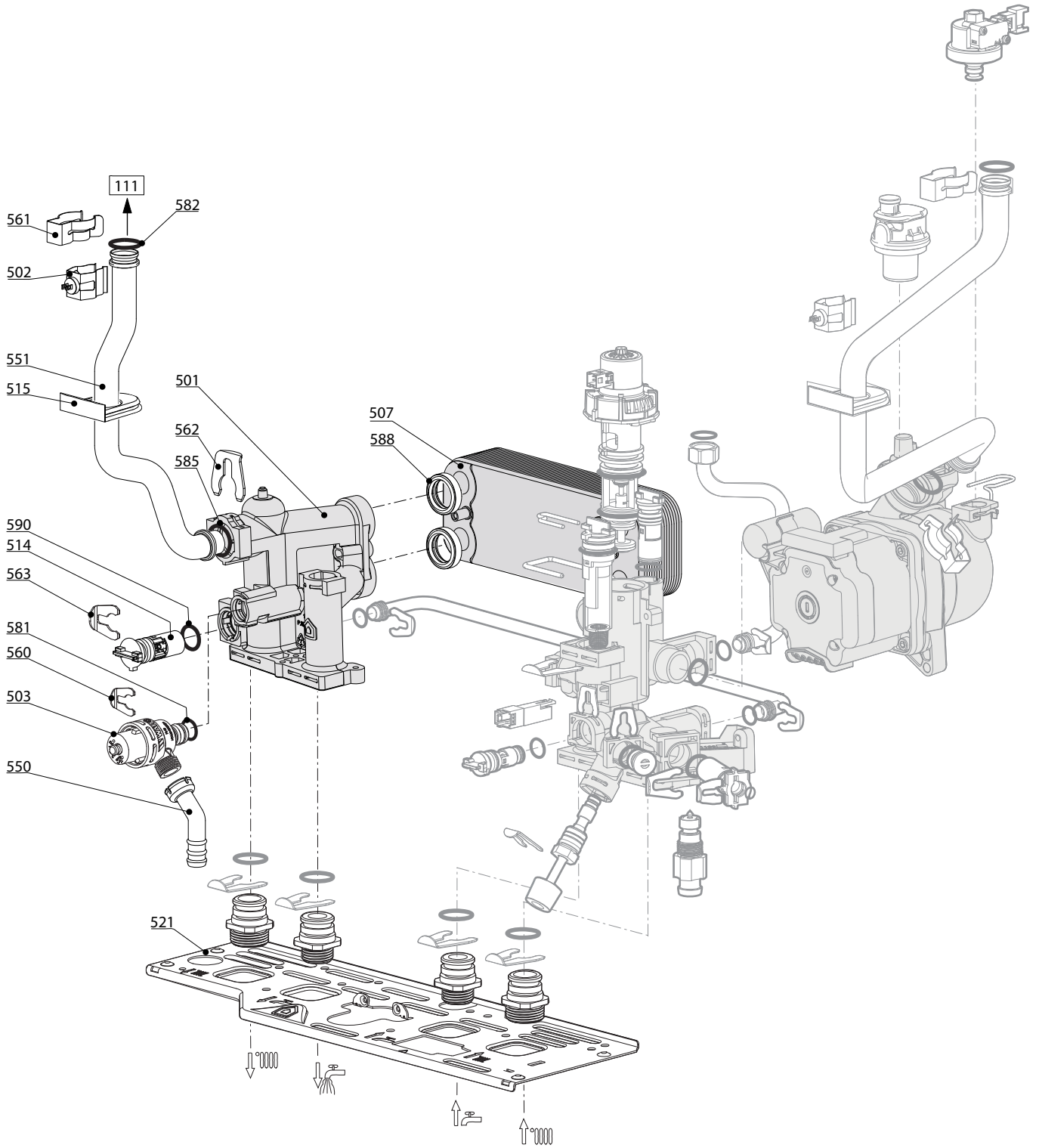
100
200
300
400



ALTEAS X - GENUS X

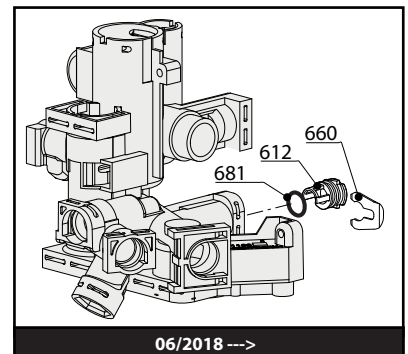
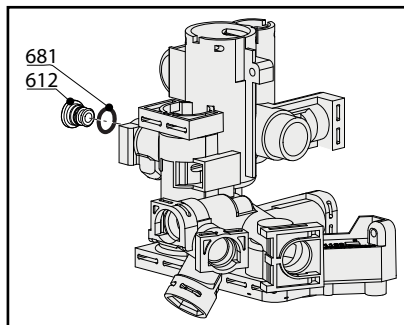
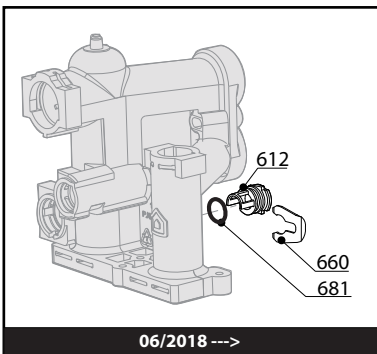
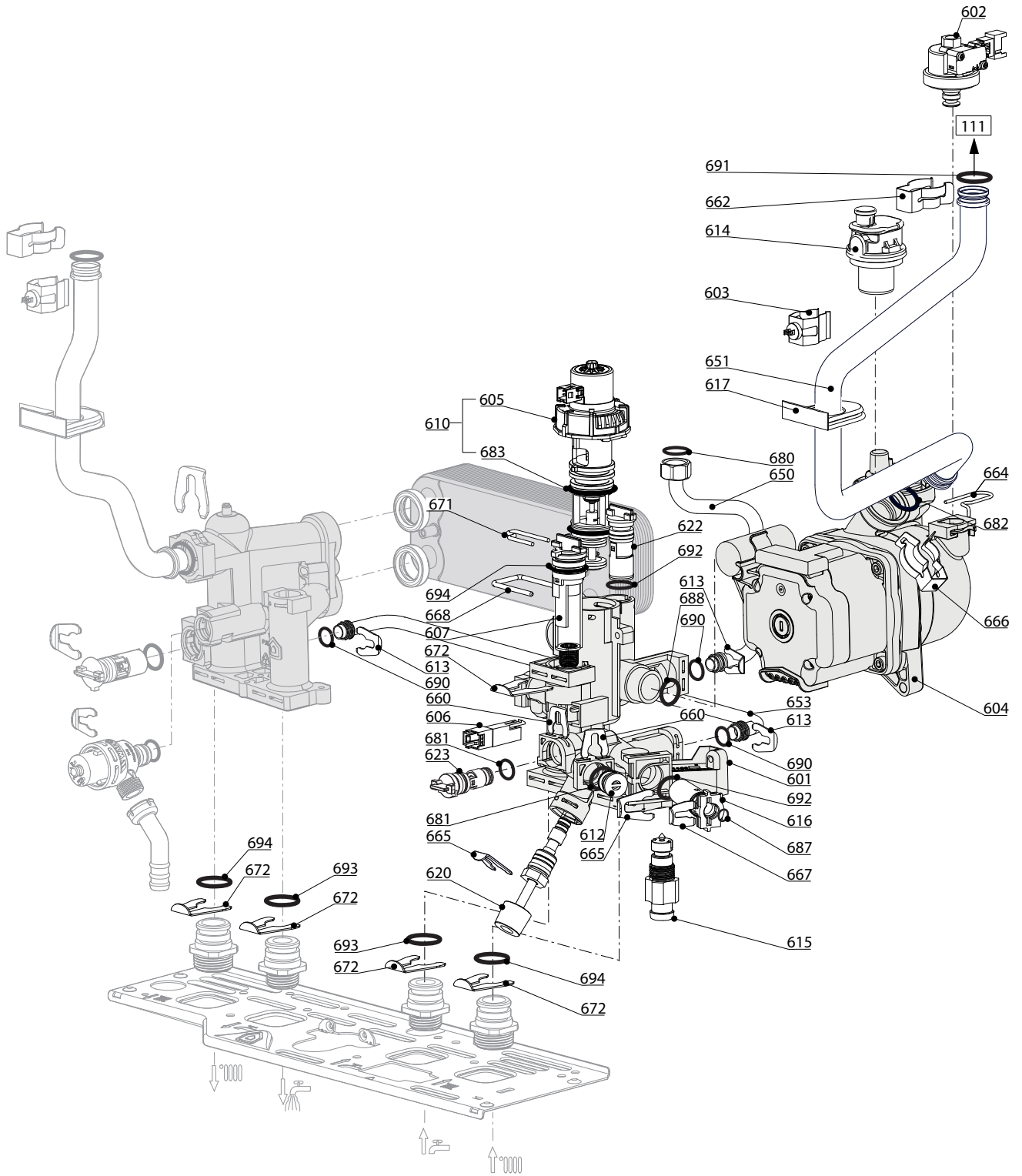
Gas-standing condensing boiler





☉➔	Description	Manf. Pt. N	Type	<div style="display: flex; justify-content: space-between; align-items: center;"> <div style="writing-mode: vertical-rl; transform: rotate(180deg); font-size: 8px; margin: 0 5px;">ALTEAS X 24 CF</div> <div style="writing-mode: vertical-rl; transform: rotate(180deg); font-size: 8px; margin: 0 5px;">ALTEAS X 30 CF</div> <div style="writing-mode: vertical-rl; transform: rotate(180deg); font-size: 8px; margin: 0 5px;">ALTEAS X 24 FF</div> <div style="writing-mode: vertical-rl; transform: rotate(180deg); font-size: 8px; margin: 0 5px;">ALTEAS X 30 FF</div> <div style="writing-mode: vertical-rl; transform: rotate(180deg); font-size: 8px; margin: 0 5px;">ALTEAS X 32 FF</div> <div style="writing-mode: vertical-rl; transform: rotate(180deg); font-size: 8px; margin: 0 5px;">ALTEAS X 35 FF</div> <div style="writing-mode: vertical-rl; transform: rotate(180deg); font-size: 8px; margin: 0 5px;">GENIUS X 24 CF</div> <div style="writing-mode: vertical-rl; transform: rotate(180deg); font-size: 8px; margin: 0 5px;">GENIUS X 30 CF</div> <div style="writing-mode: vertical-rl; transform: rotate(180deg); font-size: 8px; margin: 0 5px;">GENIUS X 24 FF</div> <div style="writing-mode: vertical-rl; transform: rotate(180deg); font-size: 8px; margin: 0 5px;">GENIUS X 32 FF</div> <div style="writing-mode: vertical-rl; transform: rotate(180deg); font-size: 8px; margin: 0 5px;">GENIUS X 35 FF</div> </div>																		 31	
				1	2	3	4	5	6	7	8	9	10	11	12	13	14	15	16	17	18	From	to
0500	ГРУППА ПОДАЧИ																						
0501	ГРУППА ПОДАЧИ	65115933		●	●	●	●	●	●	●	●	●	●	●	●	●	●	●	●	●			
	ГРУППА ПОДАЧИ	65117952		●	●	●	●	●	●	●	●	●	●	●	●	●	●	●	●	●			
0502	ДАТЧИК ТЕМПЕРАТУРЫ + КЛИПСА	990686-01		●	●	●	●	●	●	●	●	●	●	●	●	●	●	●	●	●			
0503	ПРЕДОХРАНИТЕЛЬНЫЙ КЛАПАН (3 БАРА)	61312668		●	●	●	●	●	●	●	●	●	●	●	●	●	●	●	●	●			
0507	ТЕПЛООБМЕННИК ГВС (16 ПЛАСТИН)	65104333		●	●	●	●	●	●	●	●	●	●	●	●	●	●	●	●	●			
0514	БАЙПАС	65114917		●	●	●	●	●	●	●	●	●	●	●	●	●	●	●	●	●			
0515	УПЛОТНЕНИЕ	60000808		●	●	●	●	●	●	●	●	●	●	●	●	●	●	●	●	●			
0521	ОСНОВАНИЕ ГИДРАВЛИЧЕСКОЙ ГРУППЫ	65115797		●	●	●	●	●	●	●	●	●	●	●	●	●	●	●	●	●			
0550	ПАТРУБОК ПРЕДОХРАНИТЕЛЬНОГО КЛАПАНА	60001955		●	●	●	●	●	●	●	●	●	●	●	●	●	●	●	●	●			
0551	ТРУБКА ПОДАЧИ ТЕПЛОНОСИТЕЛЯ (AL)	65115067	NOTE 2			●					●												
	ТРУБКА ПОДАЧИ ТЕПЛОНОСИТЕЛЯ (AL)	65115765	NOTE 2				●					●											
	ТРУБКА ПОДАЧИ ТЕПЛОНОСИТЕЛЯ (AL)	65119646	NOTE 2					●	●					●	●								
	ТРУБКА ПОДАЧИ ТЕПЛОНОСИТЕЛЯ (CU)	65115763	NOTE 1	●			●			●				●									
	ТРУБКА ПОДАЧИ ТЕПЛОНОСИТЕЛЯ (CU)	65115764	NOTE 1		●			●	●			●			●	●							
	ТРУБКА ПОДАЧИ ТЕПЛОНОСИТЕЛЯ (CU)	65115915	NOTE 1			●					●												
0560	КЛИПСА D:10	65114933		●	●	●	●	●	●	●	●	●	●	●	●	●	●	●	●	●			
0561	КЛИПСА	61307589		●	●	●	●	●	●	●	●	●	●	●	●	●	●	●	●	●			
0562	КЛИПСА D:18	65104259		●	●	●	●	●	●	●	●	●	●	●	●	●	●	●	●	●			
0563	КЛИПСА D:12	65114932		●	●	●	●	●	●	●	●	●	●	●	●	●	●	●	●	●			
0581	O-КОЛЬЦО 17.96X2.62	65104337		●	●	●	●	●	●	●	●	●	●	●	●	●	●	●	●	●			
0582	O-КОЛЬЦО 17.86X2.62	61308091		●	●	●	●	●	●	●	●	●	●	●	●	●	●	●	●	●			
0585	O-КОЛЬЦО 17.04X3.53	65104262		●	●	●	●	●	●	●	●	●	●	●	●	●	●	●	●	●			
0588	ПРОКЛАДКА ТЕПЛООБМЕННИКА	65114928		●	●	●	●	●	●	●	●	●	●	●	●	●	●	●	●	●			
0590	O-КОЛЬЦО 11.91X2.62	65114940		●	●	●	●	●	●	●	●	●	●	●	●	●	●	●	●	●			

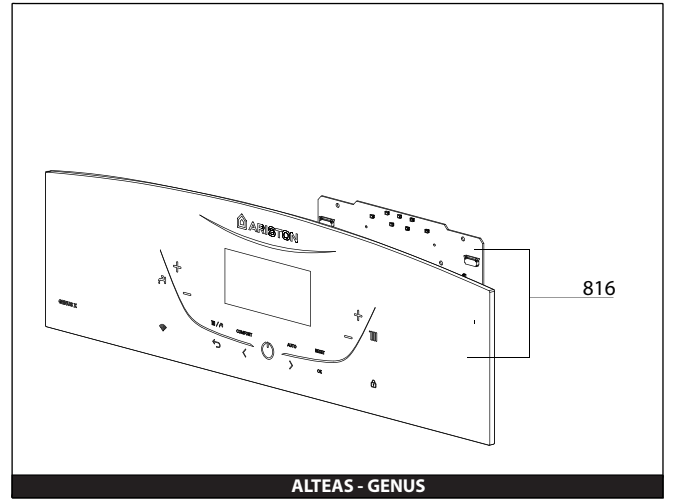
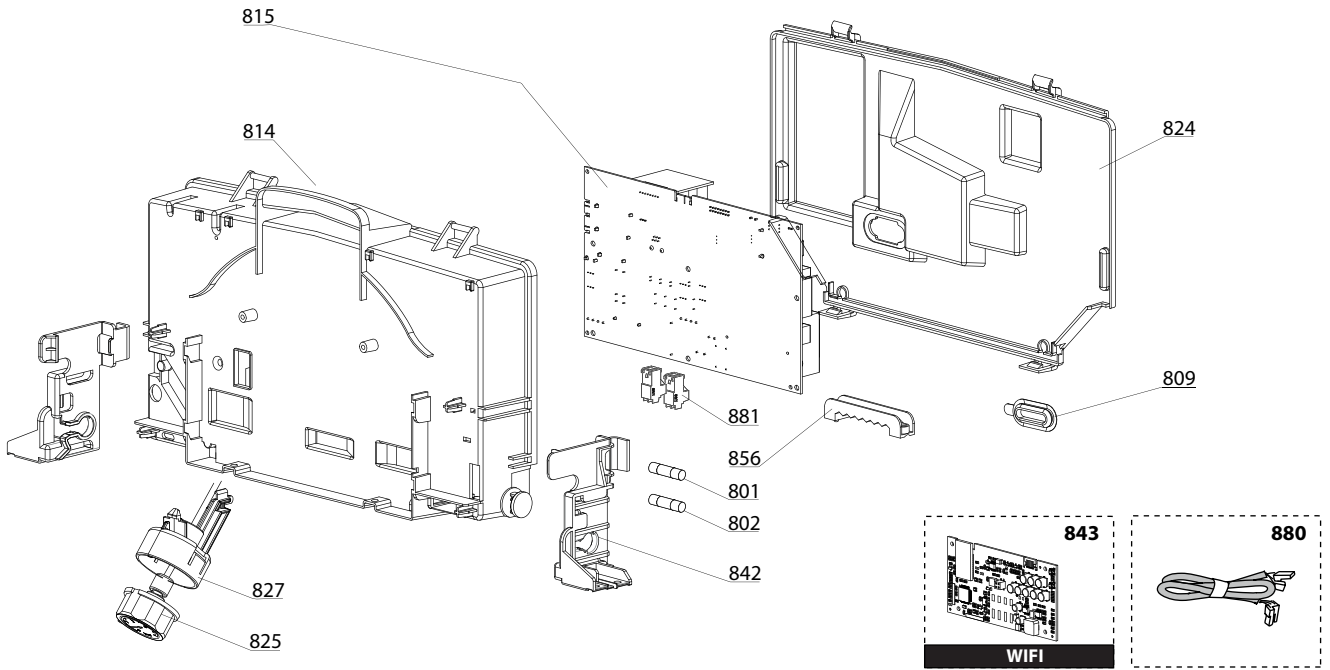
Note 1: For appliances with main exchanger in copper. - Note 2: For appliances with main exchanger in aluminium.



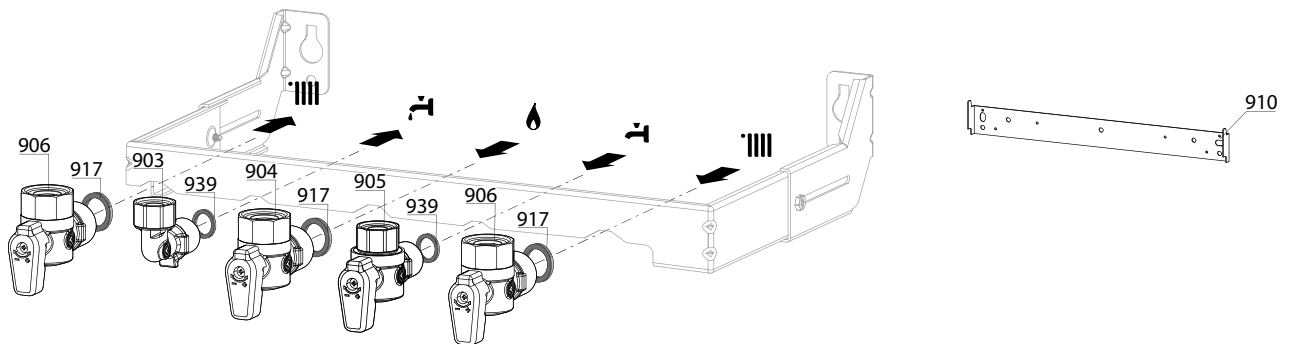
☉⇒	Description	Manf. Pt. N	Type																			From	to
				1	2	3	4	5	6	7	8	9	10	11	12	13	14	15	16	17	18		
0600	ГРУППА ВОЗВРАТА																						
0601	ГРУППА ВОЗВРАТА	65116540		●	●	●	●	●	●	●	●	●	●	●	●	●	●	●	●		05/18		
	ГРУППА ВОЗВРАТА	65117953		●	●	●	●	●	●	●	●	●	●	●	●	●	●	●	●	06/18			
0602	ДАТЧИК ДАВЛЕНИЯ	65115793		●	●	●	●	●	●	●	●	●	●	●	●	●	●	●	●				
0603	ДАТЧИК ТЕМПЕРАТУРЫ + КЛИПСА	990686-01		●	●	●	●	●	●	●	●	●	●	●	●	●	●	●	●				
0604	НАСОС 5М РWM ENER+	60001947-02	ENER+	●	●	●	●	●	●	●	●	●	●	●	●	●	●	●	●				
0605	МОТОР 3-Х ХОДОВОГО КЛАПАНА	65114936		●	●	●	●	●	●	●	●	●	●	●	●	●	●	●	●				
0606	ДАТЧИК ПРОТОКА (ГЕРКОН)	65114921-01		●	●	●	●	●	●	●	●	●	●	●	●	●	●	●	●				
0607	ДАТЧИК ПРОТОКА (ПОПЛАВОК)	65114919		●	●	●	●	●	●	●	●	●	●	●	●	●	●	●	●				
0610	3-Х ХОДОВОЙ КЛАПАН + МОТОР (KIT)	65114924		●	●	●	●	●	●	●	●	●	●	●	●	●	●	●	●				
0612	ЗАГЛУШКА	65114920		●	●	●	●	●	●	●	●	●	●	●	●	●	●	●	●				
0613	КЛИПСА D:10	65104260		●	●	●	●	●	●	●	●	●	●	●	●	●	●	●	●				
0614	АВТОМАТ. ВОЗДУХООТВОДЧИК TACO ENER+	65112086	ENER +	●	●	●	●	●	●	●	●	●	●	●	●	●	●	●	●				
0615	КРАН ДЛЯ СЛИВА	65114922		●	●	●	●	●	●	●	●	●	●	●	●	●	●	●	●				
0616	ВОДЯНОЙ ФИЛЬТР	65114923		●	●	●	●	●	●	●	●	●	●	●	●	●	●	●	●				
0617	УПЛОТНЕНИЕ	60000807		●	●	●	●	●	●	●	●	●	●	●	●	●	●	●	●				
0620	КРАН ПОДПИТКИ	65119463		●	●	●	●	●	●	●	●	●	●	●	●	●	●	●	●				
0622	БАЙПАС	65114917		●	●	●	●	●	●	●	●	●	●	●	●	●	●	●	●				
0623	ОБРАТНЫЙ КЛАПАН	65114918		●	●	●	●	●	●	●	●	●	●	●	●	●	●	●	●				
0650	ТРУБКА РАСШИРИТЕЛЬНОГО БАКА	65115068		●	●	●	●	●	●	●	●	●	●	●	●	●	●	●	●				
0651	ТРУБКА ВОЗВРАТА ТЕПЛОНОСИТЕЛЯ (AL)	65115069	NOTE 2			●						●											
	ТРУБКА ВОЗВРАТА ТЕПЛОНОСИТЕЛЯ (AL)	65115768	NOTE 2				●						●										
	ТРУБКА ВОЗВРАТА ТЕПЛОНОСИТЕЛЯ (AL)	65119647	NOTE 2					●	●						●	●							
	ТРУБКА ВОЗВРАТА ТЕПЛОНОСИТЕЛЯ (CU)	65115767	NOTE 1						●	●						●	●						
	ТРУБКА ВОЗВРАТА ТЕПЛОНОСИТЕЛЯ (CU)	65115916	NOTE 1				●									●							
	ТРУБКА ВОЗВРАТА ТЕПЛОНОСИТЕЛЯ (CU)	65115769	NOTE 1			●																	
	ТРУБКА ВОЗВРАТА ТЕПЛОНОСИТЕЛЯ (CU)	65115770	NOTE 1	●							●												
	ТРУБКА ВОЗВРАТА ТЕПЛОНОСИТЕЛЯ (CU)	65115928	NOTE 1				●									●							
0653	ПАТРУБОК БАЙПАСА	65116210		●	●	●	●	●	●	●	●	●	●	●	●	●	●	●	●		05/18		
0660	КЛИПСА D:10	65114933		●	●	●	●	●	●	●	●	●	●	●	●	●	●	●	●				
0662	КЛИПСА	61307589		●	●	●	●	●	●	●	●	●	●	●	●	●	●	●	●				
0664	КЛИПСА	65104322		●	●	●	●	●	●	●	●	●	●	●	●	●	●	●	●				
0665	КЛИПСА D:12	65114932		●	●	●	●	●	●	●	●	●	●	●	●	●	●	●	●				
0666	КЛИПСА	60000309		●	●	●	●	●	●	●	●	●	●	●	●	●	●	●	●				
0667	КЛИПСА D:16	65100680		●	●	●	●	●	●	●	●	●	●	●	●	●	●	●	●				
0668	КЛИПСА	65114927		●	●	●	●	●	●	●	●	●	●	●	●	●	●	●	●				
0671	КЛИПСА	65114926		●	●	●	●	●	●	●	●	●	●	●	●	●	●	●	●				
0672	КЛИПСА	65114931		●	●	●	●	●	●	●	●	●	●	●	●	●	●	●	●				
0680	ПРОКЛАДКА 3/8"	573521		●	●	●	●	●	●	●	●	●	●	●	●	●	●	●	●				
0681	О-КОЛЬЦО 9.9X2.62	65114937		●	●	●	●	●	●	●	●	●	●	●	●	●	●	●	●				
0682	О-КОЛЬЦО 17.04X3.53	65104262		●	●	●	●	●	●	●	●	●	●	●	●	●	●	●	●				
0683	О-КОЛЬЦО 23.47X2.62	65114939		●	●	●	●	●	●	●	●	●	●	●	●	●	●	●	●				
0687	О-КОЛЬЦО 5.7X1.9	61009834-10		●	●	●	●	●	●	●	●	●	●	●	●	●	●	●	●				
0688	О-КОЛЬЦО 21.89X2.62	65104320		●	●	●	●	●	●	●	●	●	●	●	●	●	●	●	●				
0690	О-КОЛЬЦО 8.9X2.7	61009834-14		●	●	●	●	●	●	●	●	●	●	●	●	●	●	●	●				
0691	О-КОЛЬЦО 17.86X2.62	61308091		●	●	●	●	●	●	●	●	●	●	●	●	●	●	●	●				
0692	О-КОЛЬЦО 11.91X2.62	65114940		●	●	●	●	●	●	●	●	●	●	●	●	●	●	●	●				
0693	О-КОЛЬЦО 15.88X2.62	65114941		●	●	●	●	●	●	●	●	●	●	●	●	●	●	●	●				
0694	О-КОЛЬЦО 17.13X2.62	65114938		●	●	●	●	●	●	●	●	●	●	●	●	●	●	●	●				

Note 1: For appliances with main exchanger in copper. - Note 2: For appliances with main exchanger in aluminium.

800



900



5000

- | | |
|---|---|
| <p>5001</p> <p>Transf. gaz > GPL
 Conv. gas > GPL
 Trasn. gas > GPL
 Transf. gas > GPL</p> | <p>5002</p> <p>Transf. gaz > Nat
 Conv. gas > Nat
 Trasn. gas > Met
 Transf. gas > Met</p> |
|---|---|

☉⇒	Description	Manf. Pt N	Type	<div style="display: flex; justify-content: space-between; font-size: 8px; margin: 0;"> ALTEAS X 24 CF ALTEAS X 30 CF ALTEAS X 24 FF ALTEAS X 30 FF GENIUS X 24 CF GENIUS X 30 CF GENIUS X 24 FF GENIUS X 30 FF </div>																		From	to
				1	2	3	4	5	6	7	8	9	10	11	12	13	14	15	16	17	18		
0800	ЭЛЕКТРИЧЕСКАЯ ЧАСТЬ																						
0801	ПРЕДОХРАНИТЕЛЬ 5X20 RIT. 2 A 250V	65112137		●	●	●	●	●	●	●	●	●	●	●									
0802	ПРЕДОХРАНИТЕЛЬ RIT. 1A25 P5.08 NO RIP	65119500		●	●	●	●	●	●	●	●	●	●	●									
0809	ЗАГЛУШКА (PCD TOOL ACCESS)	998382		●	●	●	●	●	●	●	●	●	●	●									
0814	КОРПУС БЛОКА УПРАВЛЕНИЯ (FRONT)	65115784		●	●	●	●	●	●	●	●	●	●	●									
0815	P.C.B. (MAIN)	65115783-02		●	●	●	●	●	●	●	●	●	●	●									
0816	ПЛАТА ДИСПЛЕЯ	65115778-02		●				●	●														
	ПЛАТА ДИСПЛЕЯ	65115779-01		●		●	●																
	ПЛАТА ДИСПЛЕЯ	65115781-02								●			●	●									
	ПЛАТА ДИСПЛЕЯ	65115780-01										●			●	●							
0824	КОРПУС БЛОКА УПРАВЛЕНИЯ (REAR)	65115785		●	●	●	●	●	●	●	●	●	●	●									
0825	МАНОМЕТР	65114200		●	●	●	●	●	●	●	●	●	●	●									
0827	КРОНШТЕЙН МАНОМЕТРА	65115809		●	●	●	●	●	●	●	●	●	●	●									
0842	БОКОВОЙ ФИКСАТОР ПАНЕЛИ УПРАВЛЕНИЯ	65115810			●			●	●			●											
	БОКОВОЙ ФИКСАТОР ПАНЕЛИ УПРАВЛЕНИЯ	65115811		●		●	●			●			●										
0843	ПЛАТА Wi-Fi	65117311		●	●	●	●	●	●														
0856	ЗАЖИМ ДЛЯ КАБЕЛЯ	65103377		●	●	●	●	●	●	●	●	●	●	●									
0880	КАБЕЛЬ 3-Х ХОДОВОГО КЛАПАНА	65115790		●	●	●	●	●	●	●	●	●	●	●									
	КАБЕЛЬ ЭЛЕКТРОДА ИОНИЗАЦИИ	60001883		●	●	●	●	●	●	●	●	●	●	●									
	КАБЕЛЬ ДИСПЛЕЯ (5 WIRES BLUES)	60000746		●	●	●	●	●	●	●	●	●	●	●									
	КАБЕЛЬ ЗАЗЕМЛЕНИЯ	65104286		●	●	●	●	●	●	●	●	●	●	●									
	КАБЕЛЬ ВЕНТИЛЯТОРА	60001902				●	●	●	●			●	●	●									
	КАБЕЛЬ ПИТАНИЯ 240V	60001619		●	●	●	●	●	●	●	●	●	●	●									
	КАБЕЛЬ ДАТЧИК ТЕМП. - ПНЕВМОРЕЛЕ	65115787		●	●	●	●	●	●			●	●	●									
	КАБЕЛЬ ДАТЧИК ТЕМП. - ПНЕВМОРЕЛЕ	65115789		●	●					●	●		●	●									
	КАБЕЛЬ НАСОСА 1V ENER+	60001887	ENER +	●	●	●	●	●	●	●	●	●	●	●									
	КАБЕЛЬ ПЛАТЫ Wi-Fi	65115826		●	●	●	●	●	●														
0881	КОННЕКТОР 2P	65111933		●	●	●	●	●	●	●	●	●	●	●									
	КОННЕКТОР 3P (x5)	65111934-01		●	●	●	●	●	●	●	●	●	●	●									
0900	МОНТАЖНЫЕ АКЦЕССУАРЫ																						
0903	ПАТРУБОК ГВС	60000891		●	●	●	●	●	●	●	●	●	●	●									
0904	КРАН ГАЗА	60000898		●	●	●	●	●	●	●	●	●	●	●									
0905	КРАН ХОЛОДНОЙ ВОДЫ	60000894		●	●	●	●	●	●	●	●	●	●	●									
0906	КРАН ПОДАЧИ/ВОЗВРАТА ТЕПЛОНОСИТЕЛЯ	60000885		●	●	●	●	●	●	●	●	●	●	●									
0910	КРОНШТЕЙН	60000625		●	●	●	●	●	●	●	●	●	●	●									
0917	ПЛОСКАЯ ПРОКЛАДКА D:24-17-1.5	60061855-19		●	●	●	●	●	●	●	●	●	●	●									
0939	ПЛОСКАЯ ПРОКЛАДКА D:18.4-12.2-1.5	60061855-14		●	●	●	●	●	●	●	●	●	●	●									
5000	АКЦЕССУАРЫ																						
5001	К-Т ПЕРЕВОДА НА СЖИЖЕННЫЙ ГАЗ (LPG)	65104582-01						●	●						●	●							
	К-Т ПЕРЕВОДА НА СЖИЖЕННЫЙ ГАЗ (LPG)	65106690-01		●	●							●	●										
	К-Т ПЕРЕВОДА НА СЖИЖЕННЫЙ ГАЗ (LPG)	65106695-01								●	●												
5002	К-Т ПЕРЕВОДА НА ПРИРОДНЫЙ ГАЗ (NG)	65104583-01						●	●						●	●							
	К-Т ПЕРЕВОДА НА ПРИРОДНЫЙ ГАЗ (NG)	65106691-01		●	●							●	●										

LIST OF THE ABBREVIATIONS

HW	: Hot water.
CW	: Cold water.
C	: Ceramic resistance (normal heating).
Ca	: Ceramic resistance (accelerated heating)
TP	: Immersion heater.
1F	: With fittings.
2F	: Without fittings.
3F	: With fittings and another outlet connection.
AMI	: With mixing valve.
SMI	: Without mixing valve.
PUISS	: Power of th appliance.
PN	: Appliance with normal pression.
LP	: Appliance with low pression.
PV	: Appliance with variable power.
PF	: Appliance with fixed power.

IDENTIFICATION PLATE

SERIAL NUMBER

10 Characters :

04 05 125 011
 Year of manufacture Manufacturing day Sequential number

11 Characters :

1 95 065004 - 31
 Month of manufacture : from 1 to 9 → Jan. to Sep.,
 O → Oct., N → Nov.,
 D → Dec. Technical number of the appliance
 Sequential number
 Year of manufacture

19 Characters :

08 05 0013199 900640031
 Year of manufacture Month of manufacture Product reference
 Sequential number

20 Characters :

3675007 XX 2 07 070 00315
 Product reference Millenium of manufacture Sequential number
 Manufacturing day Year of manufacture

21 Characters :

3675007 XX 07 070 0000315
 Product reference Year of manufacture Sequential number
 Manufacturing day