

SPARE PARTS EXPLODED VIEW
GAS-WALL BOILER ATM. BURNER

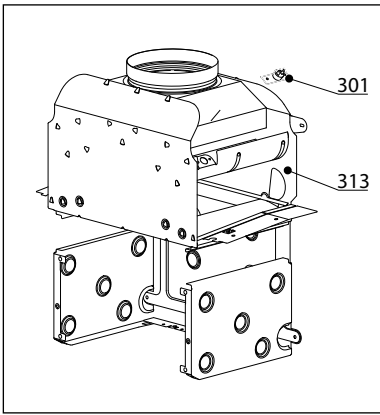
Model

NIAGARA C

R8203207-06 - 10/11/2016

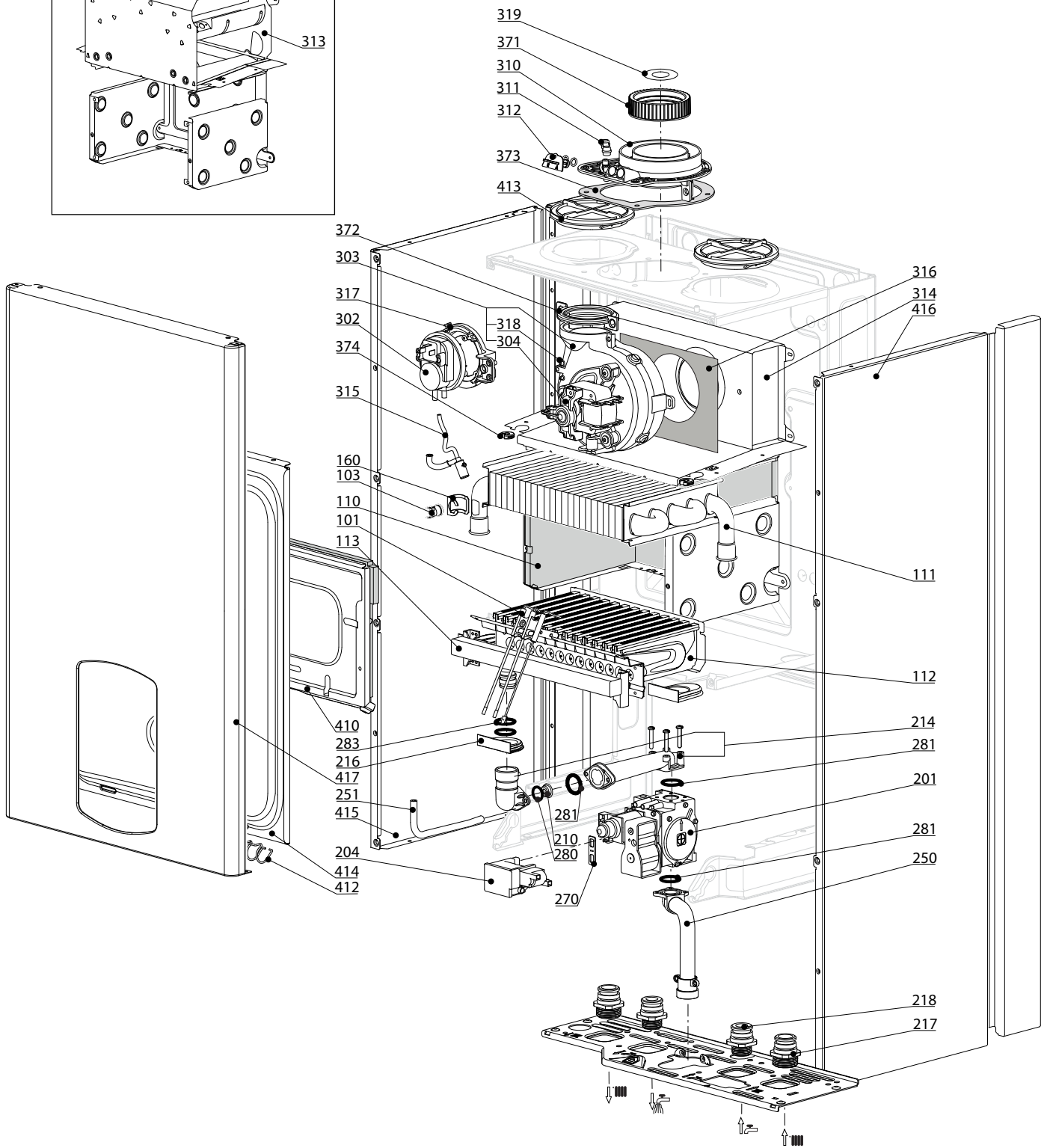
1	3650325	NIAGARA C 25 CF HMO	12-2008	06-2010
1	3650330	NIAGARA C 25 CF EE	12-2008	06-2010
1	3310076	NIAGARA C 25 CF	06-2010	08-2015
2	3650324	NIAGARA C 25 FF HMO	12-2008	07-2010
2	3650329	NIAGARA C 25 FF EE	12-2008	06-2010
2	3310074	NIAGARA C 25 FF	06-2010	08-2015
3	3650323	NIAGARA C 30 FF HMO	12-2008	07-2010
3	3650328	NIAGARA C 30 FF EE	12-2008	06-2010
3	3310075	NIAGARA C 30 FF	07-2009	08-2015
Col	Reference	Model type	Begin	End


100
200
300
400

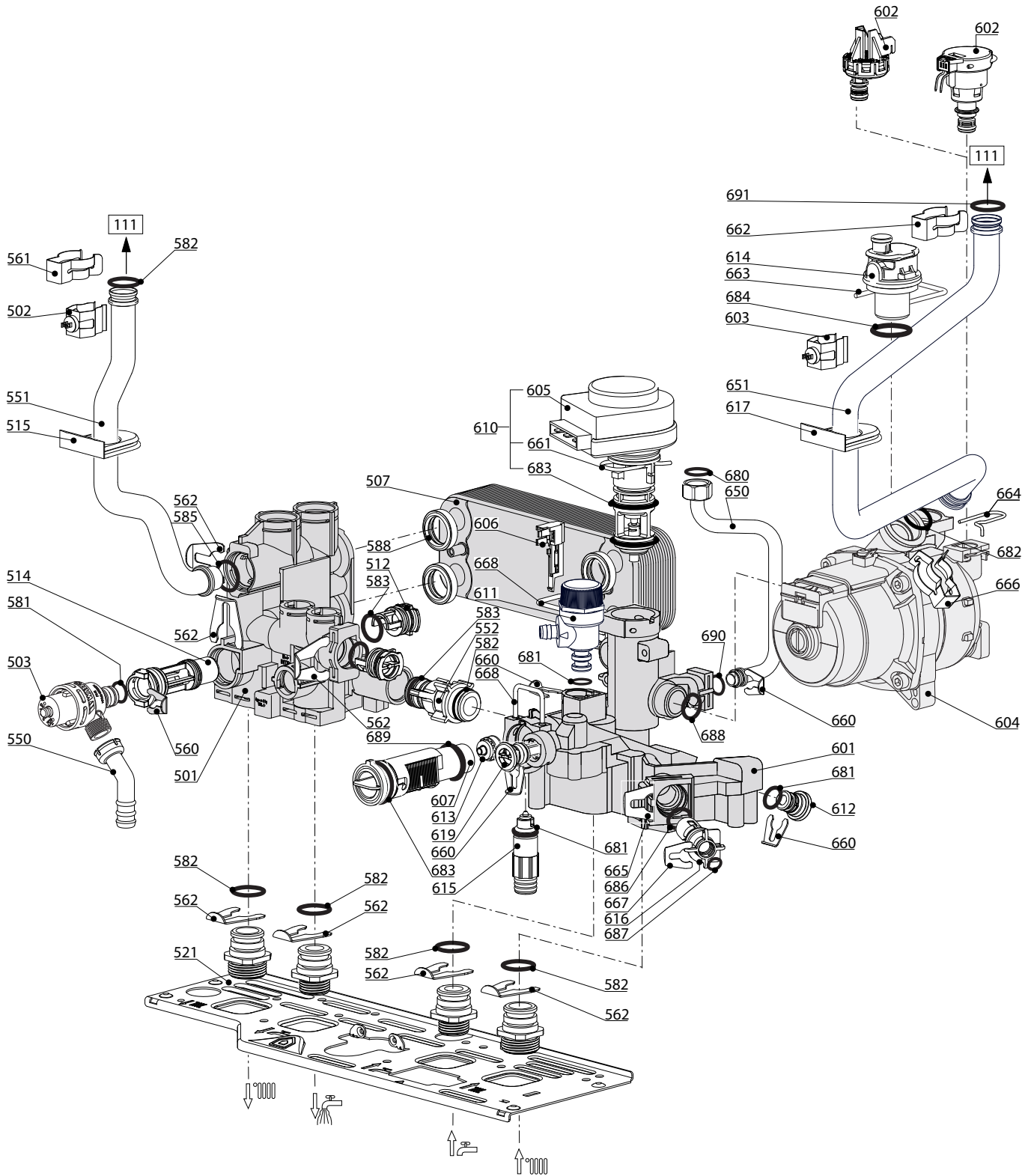


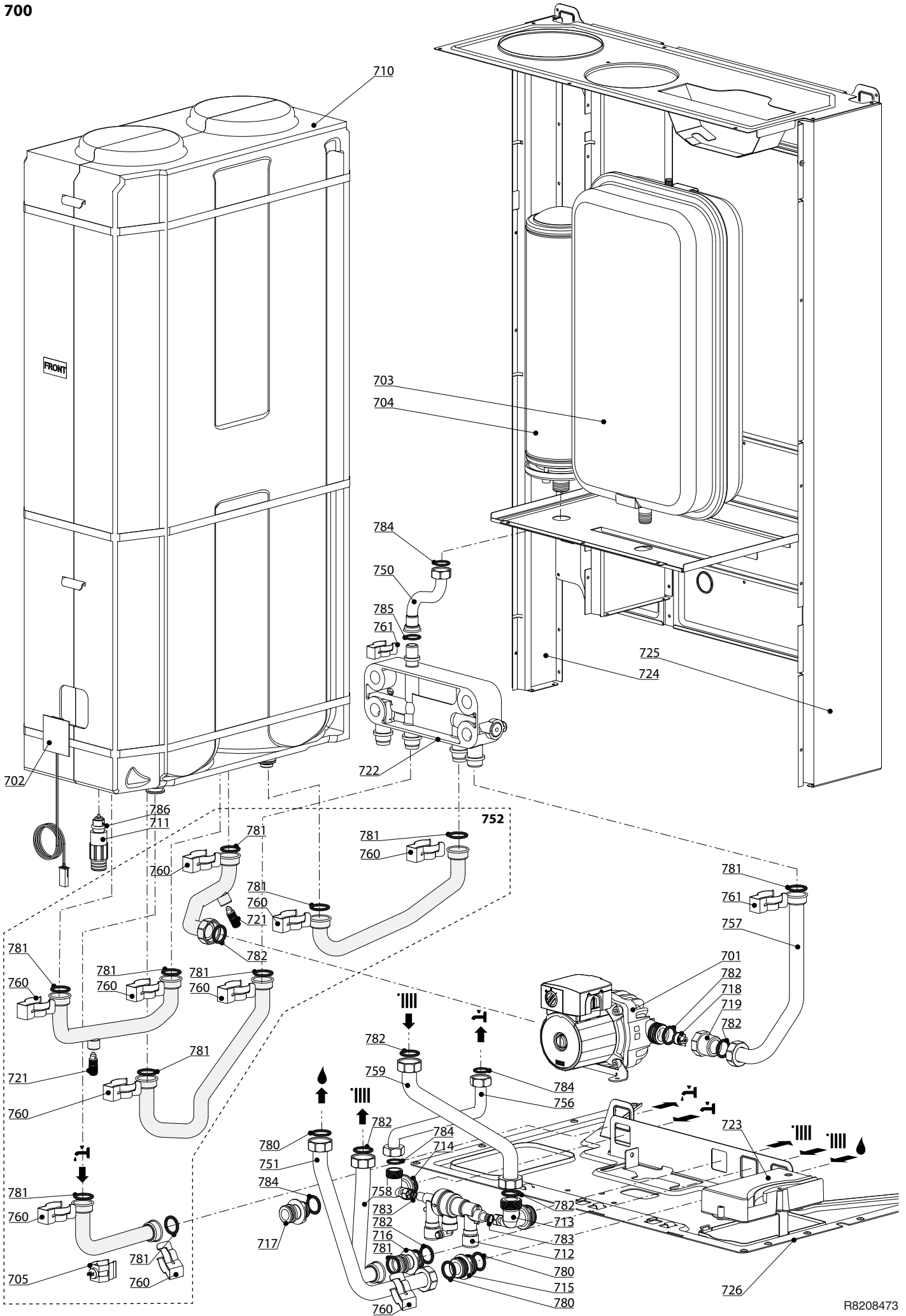
NIAGARA C

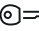

Gas-wall boiler atm. burner



Description	Manf. Pt. N	Type	<div style="text-align: right; font-size: small; margin-bottom: 2px;"> NIAGARA C 25 CF NIAGARA C 25 FF NIAGARA C 30 FF </div>																		 31	
			1	2	3	4	5	6	7	8	9	10	11	12	13	14	15	16	17	18	From	to
0100 BURNER ASSEMBLY																						
0101 ELECTRODE (IGNITION/IONIZATION)	65104549		●	●	●																	
0103 THERMOSTAT 102°C	65104500		●	●	●																	
0110 PANELS (KIT)	65104695		●	●																		
PANELS (KIT)	65106298			●																		
0111 HEAT EXCHANGER	65104246				●																	
HEAT EXCHANGER	65104247		●																			
HEAT EXCHANGER	65106297			●																		
0112 BURNER 11NP	65106294			●																		
BURNER 13NP	60001582		●																			
BURNER 13NP	65104220				●																	
0113 GAS MANIFOLD 11 INJ. D:1.32	65106302	NAT		●																		
GAS MANIFOLD 13 INJ. D:1.25	65104302	NAT	●																			
GAS MANIFOLD 13 INJ. D:1.32	65104226	NAT			●																	
0160 CLIP	61010050		●	●	●																	
0200 GAS SECTION																						
0201 GAS VALVE	65104254		●	●	●																	
0204 SPARK GENERATOR	65104653		●	●	●																	
0214 PIPE (GAS VALVE/BURNER)	65104230		●	●	●																	
0216 GROMMET	60000624		●	●	●																	
0217 UNION (3/4")	65104326		●	●	●																	
0218 UNION (1/2")	65104327		●	●	●																	
0250 GAS TUBE	60000720		●	●	●																	
0251 EPDM PIPE	65104296		●	●	●																	
0270 GASKET (SPARK GENERATOR)	574279		●	●	●																	
0281 O-RING 22.22X2.62	65104304		●	●	●																	
0283 O-RING 17.17X1.78	65104303		●	●	●																	
0300 FAN ASSEMBLY																						
0301 THERMOSTAT 75-65°C	999539		●																			
0302 AIR PRESSURE SWITCH 50 Pa	65104671-01			●																		
AIR PRESSURE SWITCH 74 Pa	65104672-01				●																	
0303 FAN	65104231				●																	
FAN	65104255				●																	
0304 HALL SENSOR 15/24/25 FF	65108301			●																		
HALL SENSOR 28/30/35 FF	65108255				●																	
0310 FLUE (EXHAUST MANIFOLD/HEADER)	65105393			●	●																	
0311 AIR INTAKE COVER	573329			●	●																	
0312 FLUE INTAKE PLUG	65104295			●	●																	
0313 COMBUSTION CHAMBER 24 CF	65104218		●																			
0314 COMBUSTION CHAMBER 24/28 FF	65104219				●																	
COMBUSTION CHAMBER 24/28 FF	65106295				●																	
0315 CONDENSATE TRAP	65104623			●	●																	
0316 PANEL (INSULATION - FAN)	65104305			●	●																	
0317 SUPPORT (AIR PRESSURE SWITCH)	65104378			●	●																	
0318 VENTURI 15/24FF	65106516			●																		
VENTURI 28/30FF	65106515				●																	
0319 RESTRICTOR KIT	60001598			●	●																	
0371 COLLAR GASKET	65104258			●	●																	
0372 FAN GASKET	65104257			●	●																	
0373 GASKET	60000317			●	●																	
0374 CABLE INLET RUBBER WASHER	60000716		●	●	●																	
0400 SEALED CASE																						
0410 PANEL (COMBUSTION CHAMBER)	65104240		●		●																	
PANEL (COMBUSTION CHAMBER)	65106296			●																		
0411 SIGHT GLASS	65104232			●	●																	
0412 SPRING FRONT PANEL (KIT)	65104298			●	●																	
0413 AIR RETURN COVER	65104249			●	●																	
0414 PANEL (FRONT - SEALED CHAMBER)	65105678-02			●																		
PANEL (FRONT - SEALED CHAMBER)	65105679-02				●																	
0415 CASE PANEL (L.H. SIDE)	65105676		●	●	●																	
0416 RIGHT SIDE PANEL	60001245		●	●	●																	
0417 CASE PANEL (FRONT)	60001246		●	●	●																	
0422 HAND PANEL	60001244		●	●	●																	



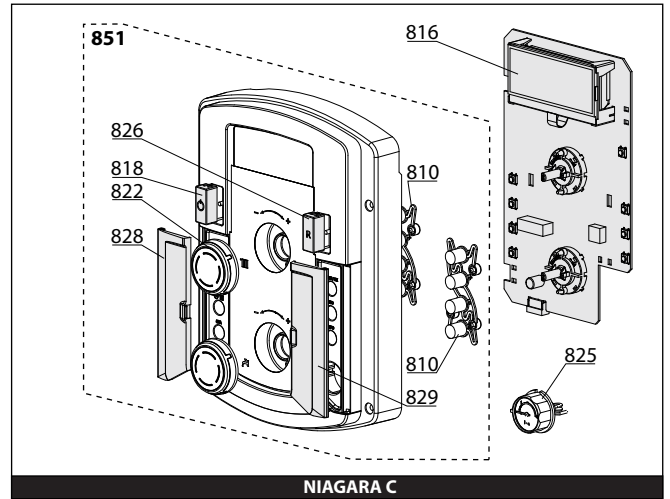
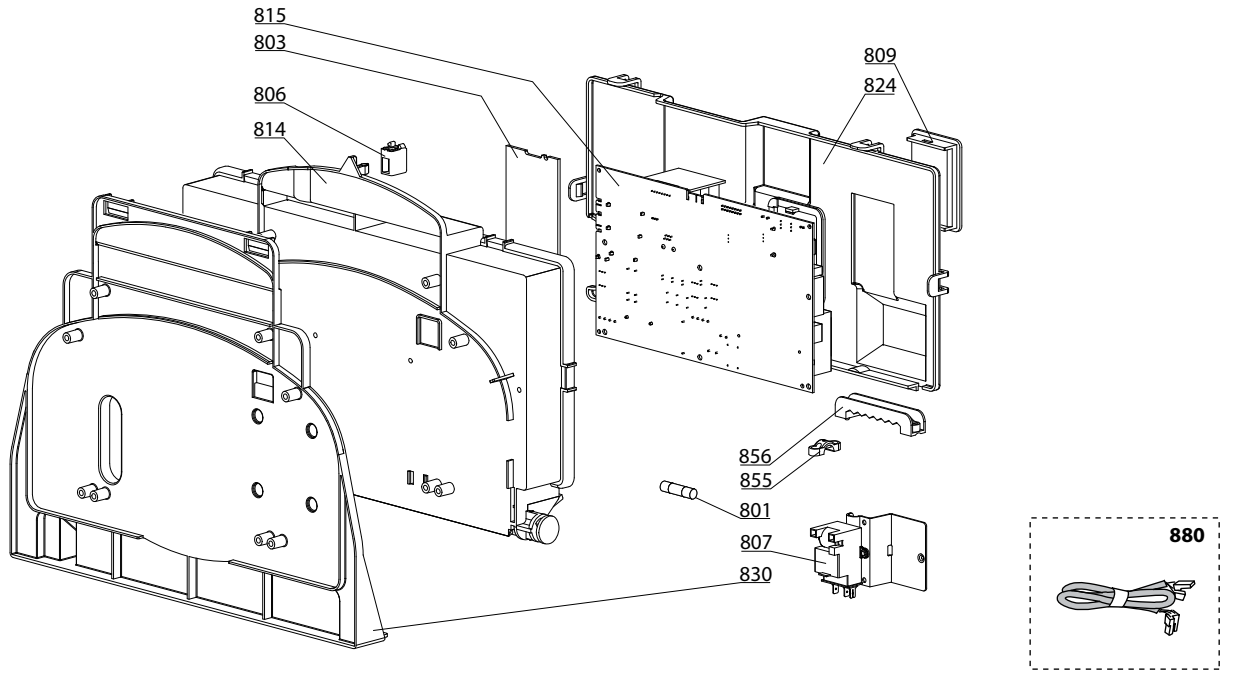


	Description	Manf. Pt. N	Type	<div style="position: absolute; top: -20px; left: 20px; transform: rotate(-45deg); font-size: 8px;"> NIAGARA C 25 CF NIAGARA C 25 FF NIAGARA C 30 FF </div>																		 31	
				1	2	3	4	5	6	7	8	9	10	11	12	13	14	15	16	17	18	From	to

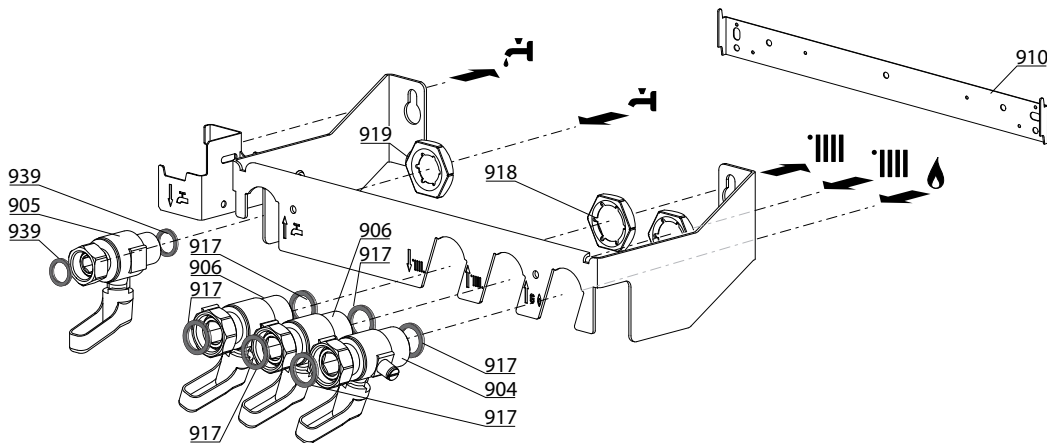
	Description	Manf. Pt. N	Type	1	2	3	4	5	6	7	8	9	10	11	12	13	14	15	16	17	18	From	to
0700	HOT WATER TANK																						
0701	PUMP DHW	60001331		•	•	•																	
0702	NTC PROBE	60000822		•	•	•																	
0703	EXPANSION VESSEL 12L	60001243		•	•	•																	
0704	EXPANSION VESSEL 2L	61316921		•	•	•																	
0705	TEMPERATURE PROBE + CLIP	990686-01		•	•	•																	
0710	CYLINDER 40L	60001249-01		•	•	•																	
0711	KIT DRAIN SCREW	60001385		•	•	•																	
0712	DISCONNECTOR	60000263		•	•	•																	
0713	CONNECTION M/M 3/4	60001325		•	•	•																	
0714	CONNECTION M/M 1/2	60001326		•	•	•																	
0715	GAS CONNECTION	60001327		•	•	•																	
0716	HEATING RETURN CONNECTION	60001328		•	•	•																	
0717	HOT WATER CONNECTION	60001329		•	•	•																	
0718	NON-RETURN VALVE	60001330		•	•	•																	
0719	CONNECTION	60001333		•	•	•																	
0721	DRAIN SCREW ASSY	60081904		•	•	•																	
0722	INTERFACE SYSTEM	60001342		•	•	•																	
0723	CONNECTION BOX	60001252		•	•	•																	
0724	LONGERON 900x65mm	60001383		•	•	•																	
0725	LONGERON 900x130mm	60001384		•	•	•																	
0726	HYDRAULIC GROUP SUPPORT	60001599		•	•	•																	
0750	PIPE (EXPANSION VESSEL)	60001248		•	•	•																	
0751	GAS TUBE	60001316		•	•																		
	GAS TUBE	60001335					•																
0752	KIT FLEXIBLE SANITARY	60001948-01		•	•	•																	
0756	INLET PIPE	60001324		•	•	•																	
0757	TUBE - PUMP DHW	60001321		•	•	•																	
0758	PIPE (C.H. RETURN)	60001322		•	•	•																	
0759	PIPE (C.H. FLOW)	60001320		•	•	•																	
0760	CLIP	61307589		•	•	•																	
0761	CLIP	65105109		•	•	•																	
0780	SHEET GASKET D: 24-18.2-1.5	60022835-01		•	•	•																	
0781	O-RING 17.04X3.53	65104262		•	•	•																	
0782	SHEET GASKET D: 24-18.2-1.5	60061855-01		•	•	•																	
0783	SHEET GASKET D: 8.5-4.1-1.5	60001363		•	•	•																	
0784	WASHER D: 18.4-12.2-1.5	60061855-14		•	•	•																	
0785	O-RING 13X2	65105108		•	•	•																	
0786	O-RING 9.19X2.62	65104313		•	•	•																	

NIAGARA C

Gas-wall boiler atm. burner



900



5000

<p>5001 Transf. gaz > GPL Conv. gas > GPL Trasn. gas > GPL Transf. gas > GPL</p>	<p>5002 Transf. gaz > Nat Conv. gas > Nat Trasn. gas > Met Transf. gas > Met</p>	<p>5020 Options Accessories Opzioni Accessorio</p>
---	---	---

☉⇒	Description	Manf. Pt. N	Type																			From	to
				1	2	3	4	5	6	7	8	9	10	11	12	13	14	15	16	17	18		
0800	ELECTRICAL BOX																						
0801	FUSE 250V 2A	61003456		•	•																		
0803	P.C.B (CLIP-IN) E-BUS	65109108		•	•	•																	
0806	PUSH	65104228		•	•	•																	
0807	IGNITER	61002105-20		•	•	•																	
0809	INSPECTION COVER	65104294		•	•	•																	
0810	PUSH BUTTON	60000978		•	•	•																	
0814	CONTROL PANEL	60001362		•	•	•																	
0815	P.C.B. (MAIN)	65109313-05		•	•	•																	
0816	P.C.B. (DISPLAY)	60000760-03		•	•	•																	
0818	PUSH BUTTON ON/OFF	60000809		•	•	•																	
0822	KNOB	60000762		•	•	•																	
0824	CONTROL PANEL COVER (REAR)	65104293		•	•	•																	
0825	PRESSURE GAUGE	60000725		•	•	•																	
0826	PUSH BUTTON (RESET)	60000806		•	•	•																	
0828	HAND DOOR (L.H.SIDE)	60000761		•	•	•																	
0829	HAND DOOR (R.H.SIDE)	60000759		•	•	•																	
0830	BASE - BOX	60001315		•	•	•																	
0851	FRONT CONTROL PANEL COMPLETE	60000805		•	•	•																	
0855	CABLE CLAMP	571562		•	•	•																	
0856	CABLE CLAMP	65103377		•	•	•																	
0880	3-WAY VALVE CABLE	65104523	/ CN09	•	•	•																	
	CABLE (IONIZATION ELECTRODE)	65104518	/ CN05	•																			
	CLIP-IN E-BUS WIRING	65105169	/ CN11	•	•	•																	
	DISPLAY WIRING	60001250	/ CN02	•	•	•																	
	EARTH WIRE	65104286		•	•	•																	
	FAN CABLE	65107270	/ CN10		•	•																	
	FEEDER 240V	60001146	/ CN20	•	•	•																	
	FLOW METER CABLE	60000813	/ CN14	•	•	•																	
	NTC - OVERHEAT THER. - PRES SWITCH CABLE	60000814	/ CN22	•	•	•																	
	NTC - PRES. SENSOR - GAS VALVE CABLE	60001352	/ CN04	•	•	•																	
	NTC PROBE - OVERHEAT THERMOSTAT CABLE	65104708	/ CN22	•																			
	PUMP 1V CABLE WILO	65105081	WILO	•	•	•																	
	PUMP 2V CABLE 6M WILO	65109585	WILO	•	•	•																	
	ROOM THERMOSTAT CABLE	60001253	/ CN25	•	•	•																	
	SOLAR SENSOR CABLE	60001374		•	•	•																	
	TACHOMETER FAN CABLE	65104709	/ CN07		•	•																	
0900	JIG PLATE & PIPE FITTING																						
0904	GAS SERVICE TAP	61313366		•	•	•																	
0905	WATER TAP	61313368		•	•	•																	
0906	WATER FLOW & RETURN SERVI. TAP	61313367		•	•	•																	
0910	WALL HOOK	60001251		•	•	•																	
0917	SHEET GASKET D: 24-17-1.5	60061855-19		•	•	•																	
0918	LOCK NUT 3/4"	60031140		•	•	•																	
0919	LOCK NUT 1/2"	60031139		•	•	•																	
0939	WASHER D: 18.4-12.2-1.5	60061855-14		•	•	•																	
5000	ACCESSORIES																						
5001	BURNER JET FULL KIT (LPG)	65104582-01				•																	
	BURNER JET FULL KIT (LPG)	65106690-01		•	•																		
5002	BURNER JET FULL KIT (NG)	65104583-01				•																	
	BURNER JET FULL KIT (NG)	65106691-01		•	•																		

LIST OF THE ABBREVIATIONS

HW	: Hot water.
CW	: Cold water.
C	: Ceramic resistance (normal heating).
Ca	: Ceramic resistance (accelerated heating)
TP	: Immersion heater.
1F	: With fittings.
2F	: Without fittings.
3F	: With fittings and another outlet connection.
AMI	: With mixing valve.
SMI	: Without mixing valve.
PUISS	: Power of th appliance.
PN	: Appliance with normal pression.
LP	: Appliance with low pression.
PV	: Appliance with variable power.
PF	: Appliance with fixed power.

IDENTIFICATION PLATE

SERIAL NUMBER

10 Characters :	04 05 125 011	
		Sequential number
		Manufacturing day
		Year of manufacture
11 Characters :	1 95 065004 - 31	
Month of manufacture :		Technical number of the appliance
from 1 to 9 → Jan. to Sep.,		Sequential number
O → Oct., N → Nov.,		Year of manufacture
D → Dec.		
19 Characters :	08 05 0013199 900640031	
Year of manufacture		Product reference
Month of manufacture		Sequential number
20 Characters :	3675007 XX 2 07 070 00315	
Product reference		Sequential number
Millenium of manufacture		Manufacturing day
		Year of manufacture
21 Characters :	3675007 XX 07 070 0000315	
Product reference		Sequential number
Year of manufacture		Manufacturing day