



ARISTON

SPARE PARTS EXPLODED VIEW STORAGE ELECTRIC WATER HEATERS

Model

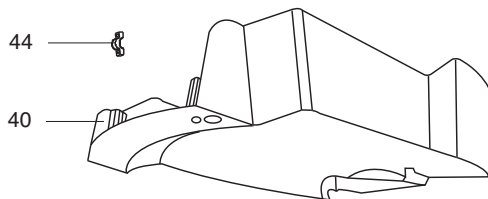
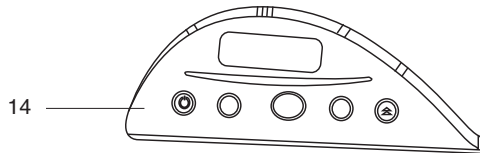
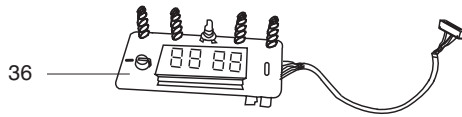
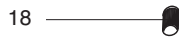
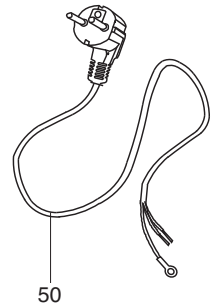
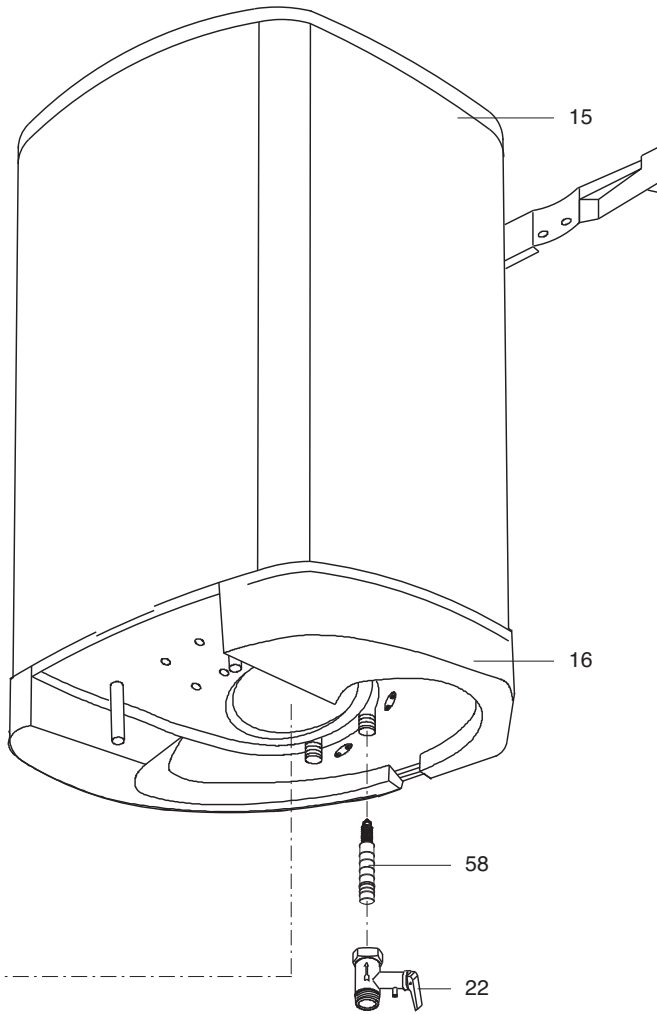
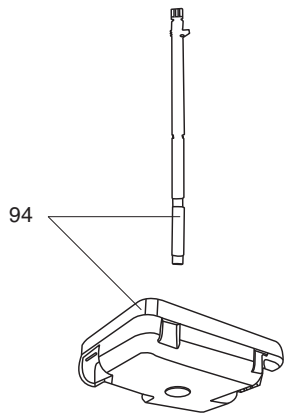
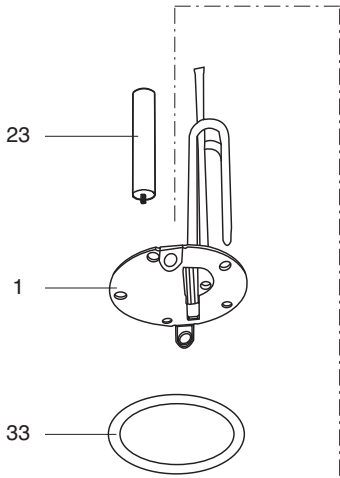
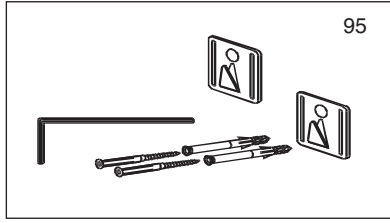
SHP PREMIUM 1,8K

R8216443-08 - 14/12/2017

SHP PREMIUM 1,8K

Storage Electric Water Heaters

1	3605159	SHP PREMIUM 40 V Slim 1,8K	07-2009	07-2014
2	3605155	SHP PREMIUM 50 V 1,8K	07-2009	06-2015
3	3626079	SHP PREMIUM 50 V 1,8K EU	07-2015	-
4	3605160	SHP PREMIUM 50 V Slim 1,8K	07-2009	06-2015
5	3626082	SHP PREMIUM 50 V SLIM 1,8K	07-2015	10-2016
6	3605156	SHP PREMIUM 65 V 1,8K	07-2009	07-2014
7	3605161	SHP PREMIUM 65 V Slim 1,8K	07-2009	06-2015
8	3626083	SHP PREMIUM 65 V SLIM 1,8K	07-2015	10-2016
9	3605157	SHP PREMIUM 80 V 1,8K	07-2009	06-2015
10	3626080	SHP PREMIUM 80 V 1,8K EU	07-2015	-
11	3605158	SHP PREMIUM 100 V 1,8K	07-2009	06-2015
12	3626081	SHP PREMIUM 100 V 1,8K EU	07-2015	-
Col	Reference	Model type	Begin	End



LIST OF THE ABBREVIATIONS

HW	: Hot water.
CW	: Cold water.
C	: Ceramic resistance (normal heating).
Ca	: Ceramic resistance (accelerated heating)
TP	: Immersion heater.
1F	: With fittings.
2F	: Without fittings.
3F	: With fittings and another outlet connection.
AMI	: With mixing valve.
SMI	: Without mixing valve.
PUISS	: Power of th appliance.
PN	: Appliance with normal pression.
LP	: Appliance with low pression.
PV	: Appliance with variable power.
PF	: Appliance with fixed power.

IDENTIFICATION PLATE

SERIAL NUMBER

6 Characters :
 Year of manufacture 03 09 08 Manufacturing day
 Month of manufacture

9 Characters :
 Year of manufacture M 12 10 0606 Sequential number
 Month of manufacture

14 Characters :
SI-V-0B0 45 07 0001
 Sequential number
 Year of manufacture : 03 → 2004
 Month of manufacture : → 09 → January 08 → July 07 → 2005
 Product model 0606 → 06 → August 08 → 2006
 → 13 → March 40 → September etc ...
 → 32 → April 38 → October
 → 35 → May 51 → November
 → 39 → June 12 → December

15 Characters :
02 11 00001 007843
 Year of manufacture 02 Code appareil
 Month of manufacture 11 Sequential number

21 Characters :
3200050 XX 08115 0000001
 Product reference 08115 Sequential number
 Year (08) / Manufacturing day (115)

22 Characters :
3200050 XX 070115 0000001
 Product reference 070115 Sequential number
 Year (07) / Month (01) / Manufacturing day (15)

The indications mentioned on the prices, commercial or technical literature and the scheme are written for your guidance and are available at a given time. The CONSTRUCTOR retains the power to modify the presentation, the form, the size, the conception or the material of the products.