



**ARISTON**

# SPARE PARTS EXPLODED VIEW STORAGE ELECTRIC WATER HEATERS

Model

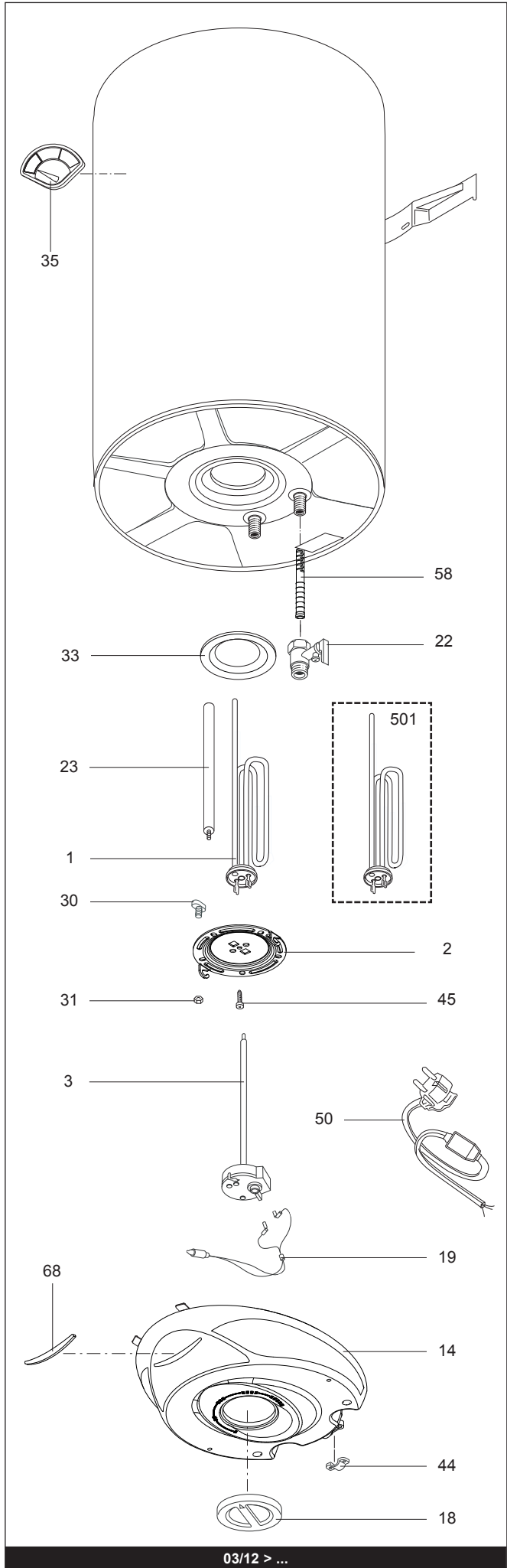
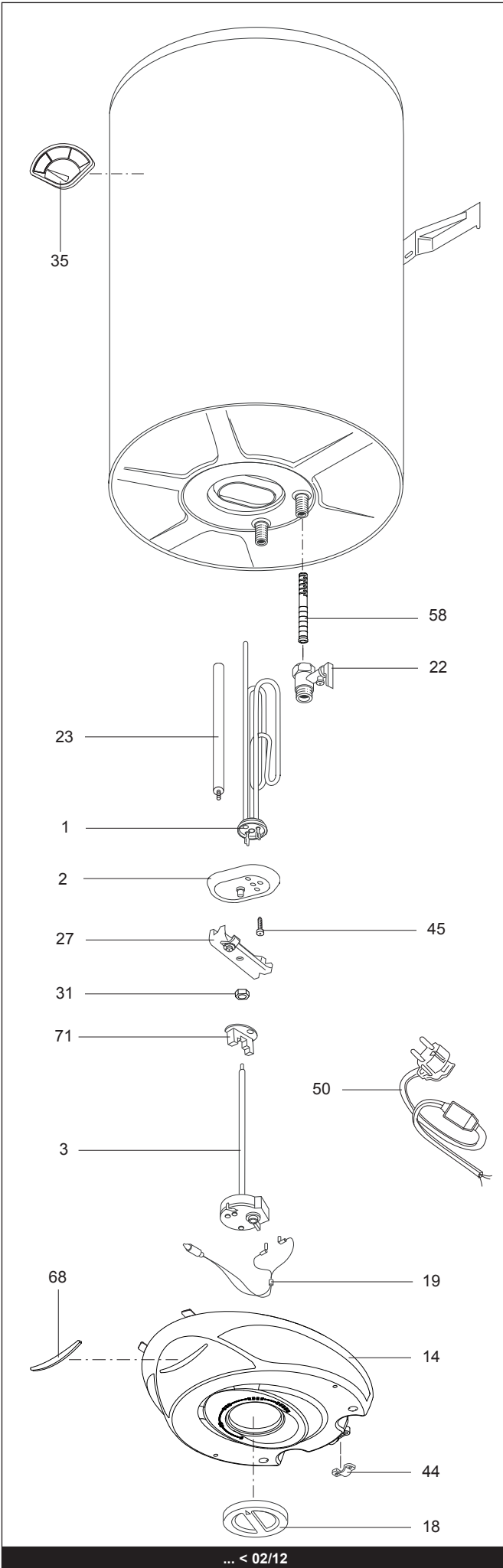
## **ABS BLU R V SLIM**

R8216704-04 - 09/04/2014

ABS BLU R V SLIM

Storage Electric Water Heaters

1	3704032	ABS BLU R 30 V SLIM	05-2011	-
2	3700274	ABS BLU R 50 V SLIM	05-2011	-
3	3700275	ABS BLU R 65 V SLIM	05-2011	-
4	3700276	ABS BLU R 80 V SLIM	05-2011	-
Col	Reference	Model type	Begin	End



☉⇒	Description	Manf. Pt. N	Type																			From	to
				1	2	3	4	5	6	7	8	9	10	11	12	13	14	15	16	17	18		
0001	НАГРЕВАТЕЛЬНЫЙ ЭЛЕМЕНТ 1500W 220-240V	65111790		●	●	●	●													03/12			
	НАГРЕВАТЕЛЬНЫЙ ЭЛЕМЕНТ 1500W 230V	816616		●	●	●	●														02/12		
0002	ФЛАНЕЦ НА 5 БОЛТАХ	65111789		●	●	●	●													03/12			
	ФЛАНЕЦ С ПРОКЛАДКОЙ	65108275		●	●	●	●														02/12		
0003	ТЕРМОСТАТ	65104527		●	●	●	●														02/12		
	ТЕРМОСТАТ	65107054		●																03/12			
	ТЕРМОСТАТ	65180106			●	●	●													03/12			
0014	КРЫШКА ПЛАСТИКОВАЯ	65180051		●	●	●	●														02/12		
	КРЫШКА ПЛАСТИКОВАЯ	65180057		●	●	●	●													03/12			
0018	РУЧКА РЕГУЛИРОВАНИЯ	65109036		●	●	●	●														02/12		
	РУЧКА РЕГУЛИРОВАНИЯ	65180058		●	●	●	●													03/12			
0019	ИНДИКАТОРНАЯ ЛАМПА	993025		●	●	●	●																
0022	ПРЕДОХРАНИТЕЛЬНЫЙ КЛАПАН (1/2" 8,5 БАР)	571730		●	●	●	●																
0023	МАГНИЕВЫЙ АНОД D:21,3 L:180 M5	65180015		●	●	●	●																
0027	СКОБА ФЛАНЦА	993011		●	●	●	●														02/12		
0030	ВИНТ М6Х20	65151225		●	●	●	●													03/12			
0031	ГАЙКА М6	994140		●	●	●	●													03/12			
	ГАЙКА М8	570127		●	●	●	●														02/12		
0033	ПРОКЛАДКА ФЛАНЦА	65111788		●	●	●	●													03/12			
0035	ТЕРМОМЕТР	65151474		●	●	●	●																
0044	ЗАЖИМ ДЛЯ КАБЕЛЯ	573266		●	●	●	●																
0045	ВИНТ М6Х12	993000		●	●	●	●																
0050	КАБЕЛЬ ПИТАНИЯ С УЗО	65150868		●	●	●	●																
0058	РАССЕКATEЛЬ ВОДЫ (1/2" Н=82)	65113700		●	●	●	●																
0068	КРЫШКА ИНДИКАТОРНОЙ ЛАМПЫ	65180045		●	●	●	●																
0071	ИЗОЛЯТОР КЛЕММ ТЭНА (RED)	65106163		●	●	●	●														02/12		
<b>0500</b>	<b>АКСЕССУАРЫ</b>																						
0501	НАГРЕВАТЕЛЬНЫЙ ЭЛЕМЕНТ 1500W 220-240V	65114097		●	●	●	●													03/12			

## LIST OF THE ABBREVIATIONS

HW .....	: Hot water.
CW .....	: Cold water.
C .....	: Ceramic resistance (normal heating).
Ca .....	: Ceramic resistance (accelerated heating)
TP .....	: Immersion heater.
1F .....	: With fittings.
2F .....	: Without fittings.
3F .....	: With fittings and another outlet connection.
AMI .....	: With mixing valve.
SMI .....	: Without mixing valve.
PUISS .....	: Power of th appliance.
PN .....	: Appliance with normal pression.
LP .....	: Appliance with low pression.
PV .....	: Appliance with variable power.
PF .....	: Appliance with fixed power.

## IDENTIFICATION PLATE

### SERIAL NUMBER

**6 Characters :**  
 Year of manufacture 03 09 08 Manufacturing day  
 Month of manufacture

**9 Characters :**  
 Year of manufacture M 12 10 0606 Sequential number  
 Month of manufacture

**14 Characters :**  
 SI-V-0B0 45 07 0001  
 Sequential number  
 Year of manufacture : 02 → 2004  
 Month of manufacture : → 25 → January 43 → July 7 → 2005  
 13 → February 29 → August 8 → 2006  
 32 → March 40 → September etc ...  
 35 → April 38 → October  
 39 → May 51 → November  
 45 → June 12 → December  
 Product model

**15 Characters :**  
 Year of manufacture 02 11 00001 007843 Code appareil  
 Month of manufacture Sequential number

**21 Characters :**  
 Product reference 3200050 XX 08115 0000001 Sequential number  
 Year (08) / Manufacturing day (115)

**22 Characters :**  
 Product reference 3200050 XX 070115 0000001 Sequential number  
 Year (07) / Month (01) / Manufacturing day (15)