



SPARE PARTS EXPLODED VIEW
STORAGE ELECTRIC WATER HEATERS

Model

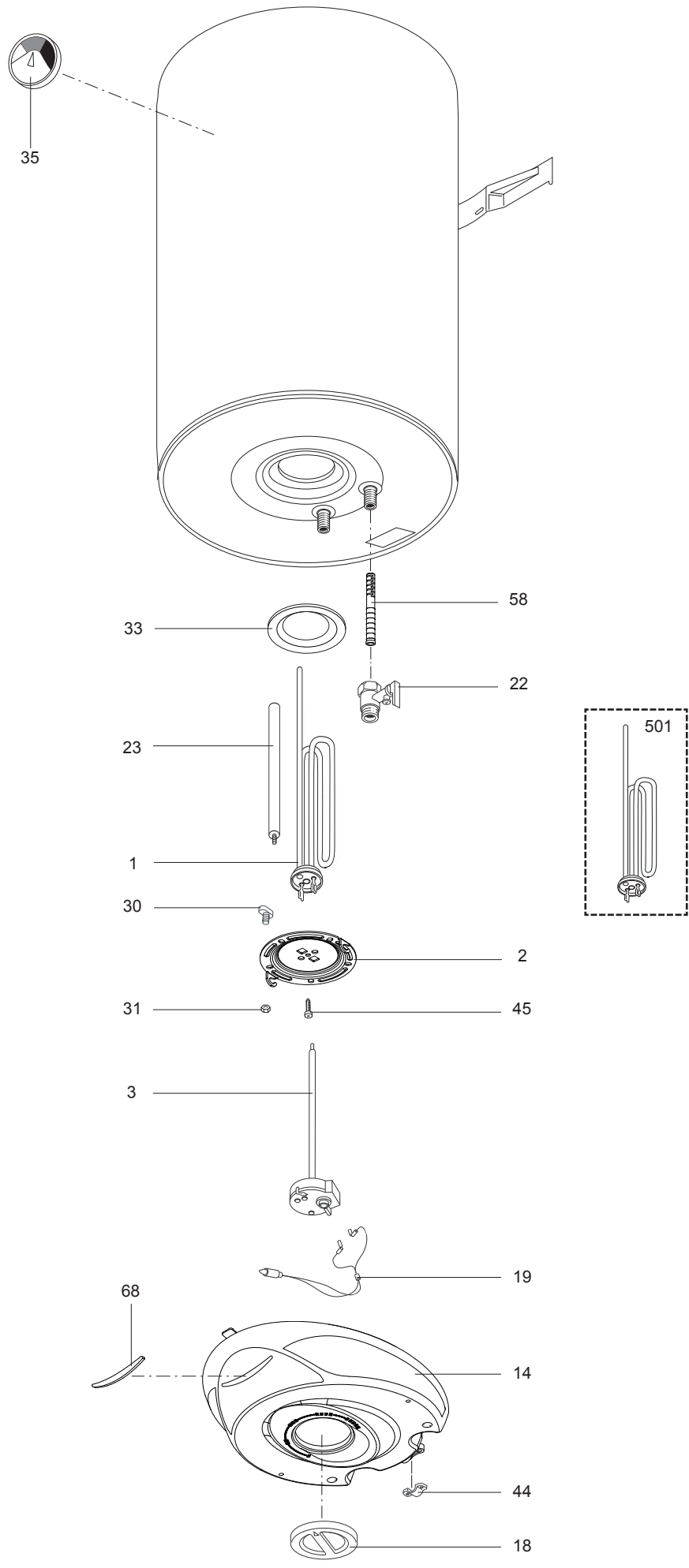
SB

R8216895-03 - 08/04/2014

SB

Storage Electric Water Heaters

1	3700063	SB R 50 V	11-2012	-
2	3700064	SB R 80 V	11-2012	-
3	3700065	SB R 100 V	11-2012	-
Col	Reference	Model type	Begin	End



☉⇒	Description	Manf. Pt. N	Type	30 80 100																		31	
				1	2	3	4	5	6	7	8	9	10	11	12	13	14	15	16	17	18	From	to
0001	НАГРЕВАТЕЛЬНЫЙ ЭЛЕМЕНТ 1500W 220-240V	65111790		•	•	•																	
0002	ФЛАНЕЦ НА 5 БОЛТАХ	65111789-RU		•	•	•																	
0003	ТЕРМОСТАТ	65112494		•																			
	ТЕРМОСТАТ	691217			•	•																	
0014	КРЫШКА ПЛАСТИКОВАЯ	65180082		•	•	•																	
0018	РУЧКА РЕГУЛИРОВАНИЯ	65180083		•	•	•																	
0019	ИНДИКАТОРНАЯ ЛАМПА	993025-RU		•	•	•																	
0022	ПРЕДОХРАНИТЕЛЬНЫЙ КЛАПАН (1/2" 8,5 БАР)	571730-RU		•	•	•																	
0023	МАГНИЕВЫЙ АНОД D:21,3 L:230 M5	993014-RU		•	•	•																	
0030	ВИНТ М6X20	65151225		•	•	•																	
0031	ГАЙКА М6	994140		•	•	•																	
0033	ПРОКЛАДКА ФЛАНЦА	65111788-RU		•	•	•																	
0035	ТЕРМОМЕТР	65108466-RU		•	•	•																	
0044	ЗАЖИМ ДЛЯ КАБЕЛЯ	573266		•	•	•																	
0045	ВИНТ М6X12	993000		•	•	•																	
0058	РАССЕКАТЕЛЬ ВОДЫ (1/2" H=72)	65113698		•	•	•																	
0068	КРЫШКА ИНДИКАТОРНОЙ ЛАМПЫ	65108468		•	•	•																	
0500	АКСЕССУАРЫ																						
0501	НАГРЕВАТЕЛЬНЫЙ ЭЛЕМЕНТ 1500W 220-240V	65114097		•	•	•																	

LIST OF THE ABBREVIATIONS

HW	: Hot water.
CW	: Cold water.
C	: Ceramic resistance (normal heating).
Ca	: Ceramic resistance (accelerated heating)
TP	: Immersion heater.
1F	: With fittings.
2F	: Without fittings.
3F	: With fittings and another outlet connection.
AMI	: With mixing valve.
SMI	: Without mixing valve.
PUISS	: Power of th appliance.
PN	: Appliance with normal pression.
LP	: Appliance with low pression.
PV	: Appliance with variable power.
PF	: Appliance with fixed power.

IDENTIFICATION PLATE

SERIAL NUMBER

6 Characters :
 Year of manufacture 03 09 08 Manufacturing day
 Month of manufacture

9 Characters :
 Year of manufacture M 12 10 0606 Sequential number
 Month of manufacture

14 Characters :
 SI-V-0B0 45 07 0001
 Sequential number
 Year of manufacture : 6 → 2004
 Month of manufacture : → 25 → January 43 → July 7 → 2005
 13 → February 29 → August 8 → 2006
 32 → March 40 → September etc ...
 35 → April 38 → October
 39 → May 51 → November
 45 → June 12 → December

15 Characters :
 Year of manufacture 02 11 00001 007843 Code appareil
 Month of manufacture Sequential number

21 Characters :
 Product reference 3200050 XX 08115 0000001 Sequential number
 Year (08) / Manufacturing day (115)

22 Characters :
 Product reference 3200050 XX 070115 0000001 Sequential number
 Year (07) / Month (01) / Manufacturing day (15)