

ДЕТАЛИРОВОЧНАЯ СХЕМА КОТЛОВ

Модели

R2700 & R2800 & R2900

R8203032-03 - 24/06/2013

| | | | | |
|---|--------|---------------------|---------|---------|
| 1 | 537129 | R 2700 G20 20mbar | 09-1995 | 12-2008 |
| 1 | 537130 | R 2701 G20 20mbar | 09-1995 | 12-2008 |
| 1 | 537131 | R 2702 G20 20mbar | 09-1995 | 12-2008 |
| 1 | 537132 | R 2703 G20 20mbar | 09-1995 | 12-2008 |
| 1 | 537133 | R 2704 G20 20mbar | 09-1995 | 12-2008 |
| 1 | 537134 | R 2705 G20 20mbar | 09-1995 | 12-2008 |
| 1 | 537135 | R 2706 G20 20mbar | 09-1995 | 12-2008 |
| 1 | 537136 | R 2707 G20 20mbar | 09-1995 | 12-2008 |
| 1 | 537137 | R 2708 G20 20mbar | 09-1995 | 12-2008 |
| 1 | 537138 | R 2709 G20 20mbar | 09-1995 | 12-2008 |
| 1 | 537285 | R 2700 G20 300 mbar | 09-1995 | 12-2008 |
| 1 | 537286 | R 2701 G20 300 mbar | 09-1995 | 12-2008 |
| 1 | 537287 | R 2702 G20 300 mbar | 09-1995 | 12-2008 |
| 1 | 537288 | R 2703 G20 300 mbar | 09-1995 | 12-2008 |
| 1 | 537289 | R 2704 G20 300 mbar | 09-1995 | 12-2008 |
| 1 | 537290 | R 2705 G20 300 mbar | 09-1995 | 12-2008 |
| 1 | 537291 | R 2706 G20 300 mbar | 09-1995 | 12-2008 |
| 1 | 537292 | R 2707 G20 300 mbar | 09-1995 | 12-2008 |
| 1 | 537293 | R 2708 G20 300 mbar | 09-1995 | 12-2008 |
| 1 | 537294 | R 2709 G20 300 mbar | 09-1995 | 12-2008 |
| 1 | 537359 | R 2700 G25 25 mbar | 09-1995 | 12-2008 |
| 1 | 537360 | R 2701 G25 25 mbar | 09-1995 | 12-2008 |
| 1 | 537361 | R 2702 G25 25 mbar | 09-1995 | 12-2008 |
| 1 | 537362 | R 2703 G25 25 mbar | 09-1995 | 12-2008 |
| 1 | 537363 | R 2704 G25 25 mbar | 09-1995 | 12-2008 |
| 1 | 537364 | R 2705 G25 25 mbar | 09-1995 | 12-2008 |
| 1 | 537365 | R 2706 G25 25 mbar | 09-1995 | 12-2008 |
| 1 | 537366 | R 2707 G25 25 mbar | 09-1995 | 12-2008 |
| 1 | 537367 | R 2708 G25 25 mbar | 09-1995 | 12-2008 |
| 1 | 537368 | R 2709 G25 25 mbar | 09-1995 | 12-2008 |
| 1 | 537433 | R 2700 G31 37mbar | 09-1995 | 12-2008 |
| 1 | 537434 | R 2701 G31 37mbar | 09-1995 | 12-2008 |
| 1 | 537435 | R 2702 G31 37mbar | 09-1995 | 12-2008 |
| 1 | 537436 | R 2703 G31 37mbar | 09-1995 | 12-2008 |
| 1 | 537437 | R 2704 G31 37mbar | 09-1995 | 12-2008 |
| 1 | 537438 | R 2705 G31 37mbar | 09-1995 | 12-2008 |
| 1 | 537439 | R 2706 G31 37mbar | 09-1995 | 12-2008 |
| 1 | 537440 | R 2707 G31 37mbar | 09-1995 | 12-2008 |
| 1 | 537441 | R 2708 G31 37mbar | 09-1995 | 12-2008 |
| 1 | 537442 | R 2709 G31 37mbar | 09-1995 | 12-2008 |
| 2 | 537139 | R 2800 G20 20mbar | 09-1995 | 12-2008 |
| 2 | 537140 | R 2801 G20 20mbar | 09-1995 | 12-2008 |
| 2 | 537141 | R 2802 G20 20mbar | 09-1995 | 12-2008 |
| 2 | 537142 | R 2803 G20 20mbar | 09-1995 | 12-2008 |
| 2 | 537143 | R 2804 G20 20mbar | 09-1995 | 12-2008 |
| 2 | 537144 | R 2805 G20 20mbar | 09-1995 | 12-2008 |
| 2 | 537145 | R 2806 G20 20mbar | 09-1995 | 12-2008 |
| 2 | 537146 | R 2807 G20 20mbar | 09-1995 | 12-2008 |
| 2 | 537147 | R 2808 G20 20mbar | 09-1995 | 12-2008 |
| 2 | 537148 | R 2809 G20 20mbar | 09-1995 | 12-2008 |

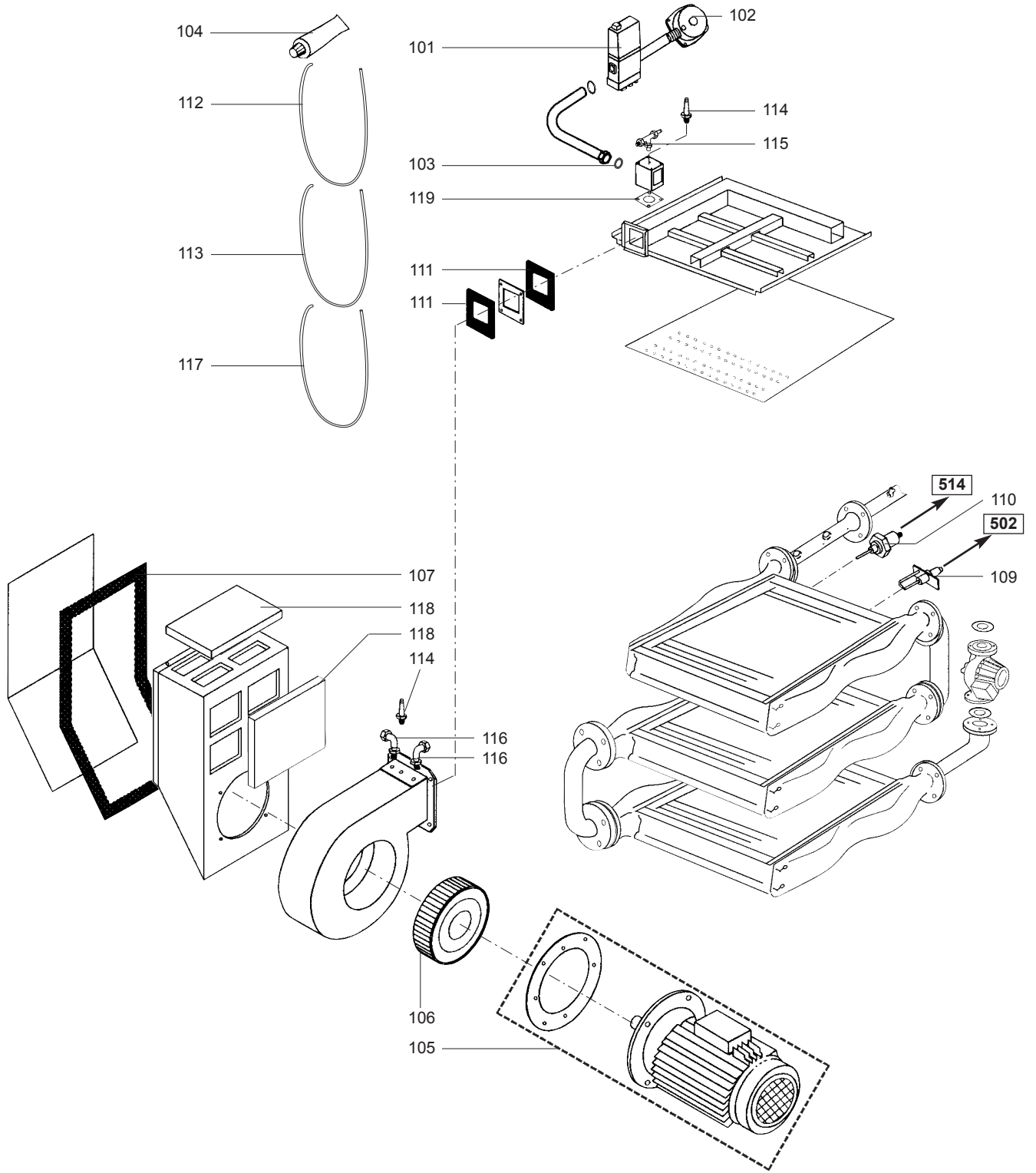
| Col | Reference | Model type | Begin | End |
|-----|-----------|------------|-------|-----|
|-----|-----------|------------|-------|-----|

| | | | | |
|---|---------|---------------|---------|---------|
| 3 | 3580117 | R 2906 SB BME | 09-1995 | 12-2008 |
| 3 | 3580118 | R 2906 SB E6 | 09-1995 | 12-2008 |
| 3 | 3580119 | R 2906 SB KKM | 09-1995 | 12-2008 |
| 3 | 3580120 | R 2906 SP 000 | 09-1995 | 12-2008 |
| 3 | 3580121 | R 2906 SP BME | 09-1995 | 12-2008 |
| 3 | 3580122 | R 2906 SP E6 | 09-1995 | 12-2008 |
| 3 | 3580123 | R 2906 SP KKM | 09-1995 | 12-2008 |
| 3 | 3580124 | R 2907 000 | 09-1995 | 12-2008 |
| 3 | 3580125 | R 2907 BME | 09-1995 | 12-2008 |
| 3 | 3580126 | R 2907 BP 000 | 09-1995 | 12-2008 |
| 3 | 3580127 | R 2907 BP BME | 09-1995 | 12-2008 |
| 3 | 3580128 | R 2907 BP E6 | 09-1995 | 12-2008 |
| 3 | 3580129 | R 2907 BP KKM | 09-1995 | 12-2008 |
| 3 | 3580130 | R 2907 E6 | 09-1995 | 12-2008 |
| 3 | 3580131 | R 2907 KKM | 09-1995 | 12-2008 |
| 3 | 3580132 | R 2907 SB 000 | 09-1995 | 12-2008 |
| 3 | 3580133 | R 2907 SB BME | 09-1995 | 12-2008 |
| 3 | 3580134 | R 2907 SB E6 | 09-1995 | 12-2008 |
| 3 | 3580135 | R 2907 SB KKM | 09-1995 | 12-2008 |
| 3 | 3580136 | R 2907 SP 000 | 09-1995 | 12-2008 |
| 3 | 3580137 | R 2907 SP BME | 09-1995 | 12-2008 |
| 3 | 3580138 | R 2907 SP E6 | 09-1995 | 12-2008 |
| 3 | 3580139 | R 2907 SP KKM | 09-1995 | 12-2008 |
| 3 | 3580140 | R 2908 000 | 09-1995 | 12-2008 |
| 3 | 3580141 | R 2908 BME | 09-1995 | 12-2008 |
| 3 | 3580142 | R 2908 BP 000 | 09-1995 | 12-2008 |
| 3 | 3580143 | R 2908 BP BME | 09-1995 | 12-2008 |
| 3 | 3580144 | R 2908 BP E6 | 09-1995 | 12-2008 |
| 3 | 3580145 | R 2908 BP KKM | 09-1995 | 12-2008 |
| 3 | 3580146 | R 2908 E6 | 09-1995 | 12-2008 |
| 3 | 3580147 | R 2908 KKM | 09-1995 | 12-2008 |
| 3 | 3580148 | R 2908 SB 000 | 09-1995 | 12-2008 |
| 3 | 3580149 | R 2908 SB BME | 09-1995 | 12-2008 |
| 3 | 3580150 | R 2908 SB E6 | 09-1995 | 12-2008 |
| 3 | 3580151 | R 2908 SB KKM | 09-1995 | 12-2008 |
| 3 | 3580152 | R 2908 SP 000 | 09-1995 | 12-2008 |
| 3 | 3580153 | R 2908 SP BME | 09-1995 | 12-2008 |
| 3 | 3580154 | R 2908 SP E6 | 09-1995 | 12-2008 |
| 3 | 3580155 | R 2908 SP KKM | 09-1995 | 12-2008 |
| 3 | 3580156 | R 2909 000 | 09-1995 | 12-2008 |
| 3 | 3580157 | R 2909 BME | 09-1995 | 12-2008 |
| 3 | 3580158 | R 2909 BP 000 | 09-1995 | 12-2008 |
| 3 | 3580159 | R 2909 BP BME | 09-1995 | 12-2008 |
| 3 | 3580160 | R 2909 BP E6 | 09-1995 | 12-2008 |
| 3 | 3580161 | R 2909 BP KKM | 09-1995 | 12-2008 |
| 3 | 3580162 | R 2909 E6 | 09-1995 | 12-2008 |
| 3 | 3580163 | R 2909 KKM | 09-1995 | 12-2008 |
| 3 | 3580165 | R 2909 SB BME | 09-1995 | 12-2008 |
| 3 | 3580166 | R 2909 SB E6 | 09-1995 | 12-2008 |
| 3 | 3580167 | R 2909 SB KKM | 09-1995 | 12-2008 |
| 3 | 3580168 | R 2909 SP 000 | 09-1995 | 12-2008 |
| 3 | 3580169 | R 2909 SP BME | 09-1995 | 12-2008 |
| 3 | 3580170 | R 2909 SP E6 | 09-1995 | 12-2008 |
| 3 | 3580171 | R 2909 SP KKM | 09-1995 | 12-2008 |

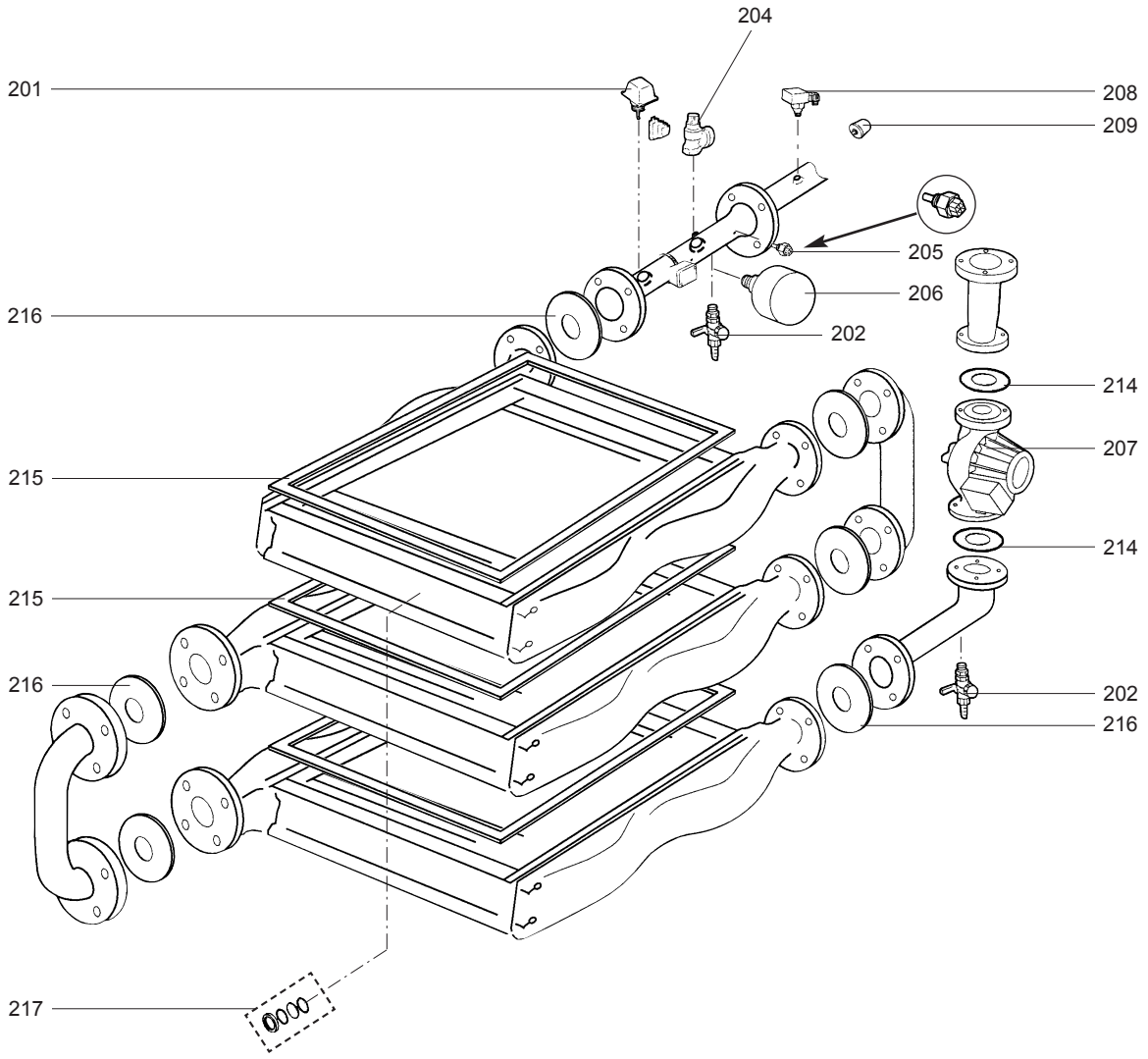
| Col | Reference | Model type | Begin | End |
|-----|-----------|------------|-------|-----|
|-----|-----------|------------|-------|-----|

| | | | | |
|---|---------|---------------------|---------|---------|
| 2 | 537295 | R 2800 G20 300 mbar | 09-1995 | 12-2008 |
| 2 | 537296 | R 2801 G20 300 mbar | 09-1995 | 12-2008 |
| 2 | 537297 | R 2802 G20 300 mbar | 09-1995 | 12-2008 |
| 2 | 537298 | R 2803 G20 300 mbar | 09-1995 | 12-2008 |
| 2 | 537299 | R 2804 G20 300 mbar | 09-1995 | 12-2008 |
| 2 | 537300 | R 2805 G20 300 mbar | 09-1995 | 12-2008 |
| 2 | 537301 | R 2806 G20 300 mbar | 09-1995 | 12-2008 |
| 2 | 537302 | R 2807 G20 300 mbar | 09-1995 | 12-2008 |
| 2 | 537303 | R 2808 G20 300 mbar | 09-1995 | 12-2008 |
| 2 | 537304 | R 2809 G20 300 mbar | 09-1995 | 12-2008 |
| 2 | 537369 | R 2800 G25 25 mbar | 09-1995 | 12-2008 |
| 2 | 537370 | R 2801 G25 25 mbar | 09-1995 | 12-2008 |
| 2 | 537371 | R 2802 G25 25 mbar | 09-1995 | 12-2008 |
| 2 | 537372 | R 2803 G25 25 mbar | 09-1995 | 12-2008 |
| 2 | 537373 | R 2804 G25 25 mbar | 09-1995 | 12-2008 |
| 2 | 537374 | R 2805 G25 25 mbar | 09-1995 | 12-2008 |
| 2 | 537375 | R 2806 G25 25 mbar | 09-1995 | 12-2008 |
| 2 | 537376 | R 2807 G25 25 mbar | 09-1995 | 12-2008 |
| 2 | 537377 | R 2808 G25 25 mbar | 09-1995 | 12-2008 |
| 2 | 537378 | R 2809 G25 25 mbar | 09-1995 | 12-2008 |
| 2 | 537443 | R 2800 G31 37mbar | 09-1995 | 12-2008 |
| 2 | 537444 | R 2801 G31 37mbar | 09-1995 | 12-2008 |
| 2 | 537445 | R 2802 G31 37mbar | 09-1995 | 12-2008 |
| 2 | 537446 | R 2803 G31 37mbar | 09-1995 | 12-2008 |
| 2 | 537447 | R 2804 G31 37mbar | 09-1995 | 12-2008 |
| 2 | 537448 | R 2805 G31 37mbar | 09-1995 | 12-2008 |
| 2 | 537449 | R 2806 G31 37mbar | 09-1995 | 12-2008 |
| 2 | 537450 | R 2807 G31 37mbar | 09-1995 | 12-2008 |
| 2 | 537451 | R 2808 G31 37mbar | 09-1995 | 12-2008 |
| 2 | 537452 | R 2809 G31 37mbar | 09-1995 | 12-2008 |
| 2 | 3580072 | R 2805 000 | 09-1995 | 12-2008 |
| 2 | 3580073 | R 2805 BME | 09-1995 | 12-2008 |
| 2 | 3580074 | R 2805 E6 | 09-1995 | 12-2008 |
| 2 | 3580075 | R 2805 KKM | 09-1995 | 12-2008 |
| 2 | 3580076 | R 2806 000 | 09-1995 | 12-2008 |
| 2 | 3580077 | R 2806 BME | 09-1995 | 12-2008 |
| 2 | 3580078 | R 2806 E6 | 09-1995 | 12-2008 |
| 2 | 3580079 | R 2806 KKM | 09-1995 | 12-2008 |
| 2 | 3580080 | R 2807 000 | 09-1995 | 12-2008 |
| 2 | 3580081 | R 2807 BME | 09-1995 | 12-2008 |
| 2 | 3580082 | R 2807 E6 | 09-1995 | 12-2008 |
| 2 | 3580083 | R 2807 KKM | 09-1995 | 12-2008 |
| 2 | 3580084 | R 2808 000 | 09-1995 | 12-2008 |
| 2 | 3580085 | R 2808 BME | 09-1995 | 12-2008 |
| 2 | 3580086 | R 2808 E6 | 09-1995 | 12-2008 |
| 2 | 3580087 | R 2808 KKM | 09-1995 | 12-2008 |
| 2 | 3580088 | R 2809 000 | 09-1995 | 12-2008 |
| 2 | 3580089 | R 2809 BME | 09-1995 | 12-2008 |
| 2 | 3580090 | R 2809 E6 | 09-1995 | 12-2008 |
| 2 | 3580091 | R 2809 KKM | 09-1995 | 12-2008 |
| 3 | 3580092 | R 2905 000 | 09-1995 | 12-2008 |
| 3 | 3580093 | R 2905 BME | 09-1995 | 12-2008 |
| 3 | 3580094 | R 2905 BP 000 | 09-1995 | 12-2008 |
| 3 | 3580095 | R 2905 BP BME | 09-1995 | 12-2008 |
| 3 | 3580096 | R 2905 BP E6 | 09-1995 | 12-2008 |
| 3 | 3580097 | R 2905 BP KKM | 09-1995 | 12-2008 |
| 3 | 3580098 | R 2905 E6 | 09-1995 | 12-2008 |
| 3 | 3580099 | R 2905 KKM | 09-1995 | 12-2008 |
| 3 | 3580100 | R 2905 SB 000 | 09-1995 | 12-2008 |
| 3 | 3580101 | R 2905 SB BME | 09-1995 | 12-2008 |
| 3 | 3580102 | R 2905 SB E6 | 09-1995 | 12-2008 |
| 3 | 3580103 | R 2905 SB KKM | 09-1995 | 12-2008 |
| 3 | 3580104 | R 2905 SP 000 | 09-1995 | 12-2008 |
| 3 | 3580105 | R 2905 SP BME | 09-1995 | 12-2008 |
| 3 | 3580106 | R 2905 SP E6 | 09-1995 | 12-2008 |
| 3 | 3580107 | R 2905 SP KKM | 09-1995 | 12-2008 |
| 3 | 3580108 | R 2906 000 | 09-1995 | 12-2008 |
| 3 | 3580109 | R 2906 BME | 09-1995 | 12-2008 |
| 3 | 3580110 | R 2906 BP 000 | 09-1995 | 12-2008 |
| 3 | 3580111 | R 2906 BP BME | 09-1995 | 12-2008 |
| 3 | 3580112 | R 2906 BP E6 | 09-1995 | 12-2008 |
| 3 | 3580113 | R 2906 BP KKM | 09-1995 | 12-2008 |
| 3 | 3580114 | R 2906 E6 | 09-1995 | 12-2008 |
| 3 | 3580115 | R 2906 KKM | 09-1995 | 12-2008 |
| 3 | 3580116 | R 2906 SB 000 | 09-1995 | 12-2008 |

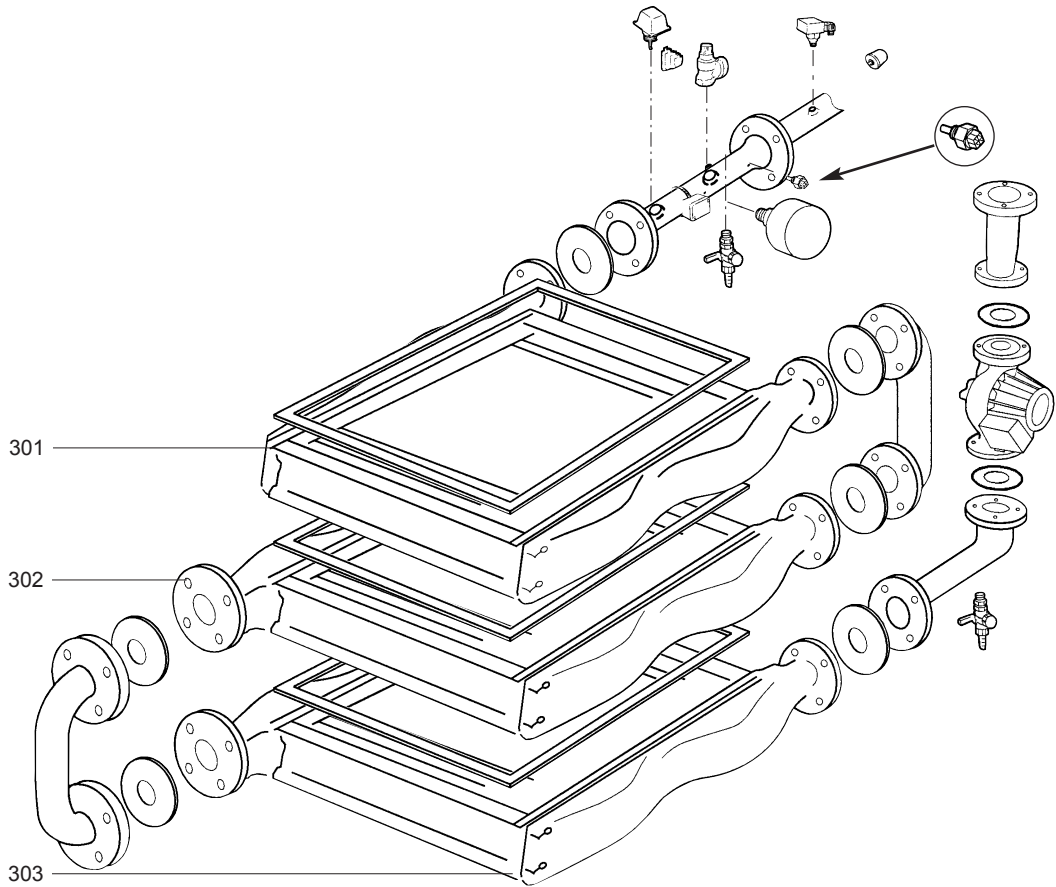
| Col | Reference | Model type | Begin | End |
|-----|-----------|------------|-------|-----|
|-----|-----------|------------|-------|-----|



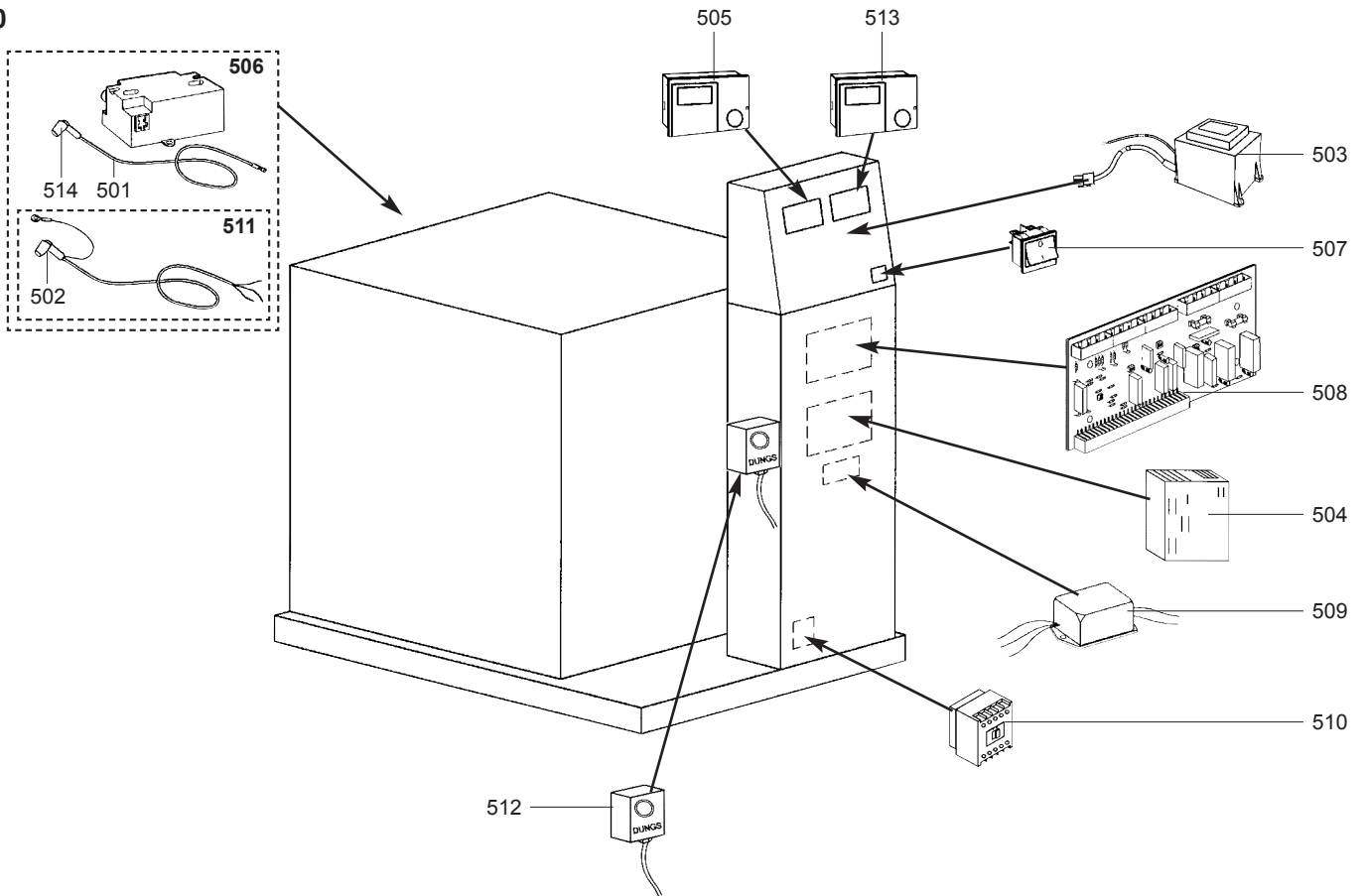
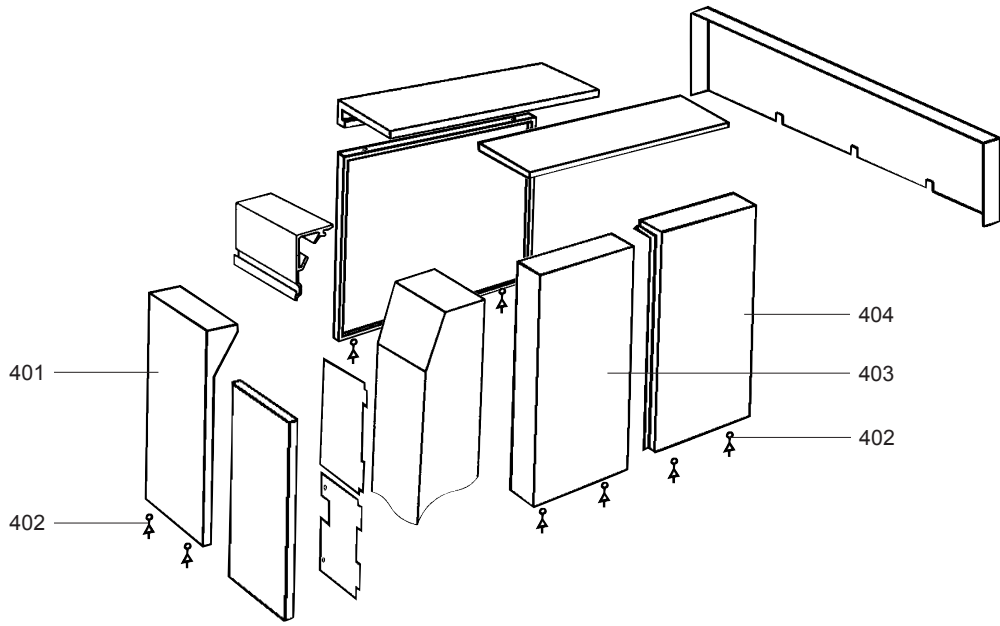
| ☉⇒ | Description | Manf. Pt. N | Type | | | | | | | | | | | | | | | | | | | 31 |
|------|---|-------------|-------|---|---|---|---|---|---|---|---|---|----|----|----|----|----|----|----|----|----|----|
| | | | | 1 | 2 | 3 | 4 | 5 | 6 | 7 | 8 | 9 | 10 | 11 | 12 | 13 | 14 | 15 | 16 | 17 | 18 | |
| 0100 | ГАЗОВАЯ ЧАСТЬ | | | | | | | | | | | | | | | | | | | | | |
| 0101 | ГАЗОВЫЙ КЛАПАН | 64280012 | 2 - 3 | ● | ● | | | | | | | | | | | | | | | | | |
| | ГАЗОВЫЙ КЛАПАН CG2(N)25R01 | 64200119 | 0 - 1 | | | | | | | | | | | | | | | | | | | |
| | ГАЗОВЫЙ КЛАПАН DUNGS MB-VEF 415 S12 | 64200110 | 6 | | ● | ● | | | | | | | | | | | | | | | | |
| | ГАЗОВЫЙ КЛАПАН DUNGS MB-VEF 420 B01 S12 | 64280013 | 6 - 7 | ● | | | | | | | | | | | | | | | | | | |
| | ГАЗОВЫЙ КЛАПАН DUNGS MB-VEF 420 B01 S12 | 64280013 | 7 - 8 | | ● | ● | | | | | | | | | | | | | | | | |
| | ГАЗОВЫЙ КЛАПАН DUNGS MB-VEF 425 S12 | 64280014 | 8 - 9 | ● | | | | | | | | | | | | | | | | | | |
| | ГАЗОВЫЙ КЛАПАН DUNGS MB-VEF 425 S12 | 64280014 | 9 | | ● | ● | | | | | | | | | | | | | | | | |
| | ГАЗОВЫЙ КЛАПАН DUNGS MB-VEF 412 S1 | 64200111 | 4 - 5 | ● | | | | | | | | | | | | | | | | | | |
| 0102 | ГАЗОВЫЙ ФИЛЬТР GFK40R10-6 1 1/2" | 64280123 | 0 → 5 | | ● | ● | | | | | | | | | | | | | | | | |
| | ГАЗОВЫЙ ФИЛЬТР GFK40R10-6 1 1/2" | 64280123 | 6 | | | | | | | | | | | | | | | | | | | |
| | ГАЗОВЫЙ ФИЛЬТР GFK50R10-6 2" | 64280124 | 6 → 9 | ● | | | | | | | | | | | | | | | | | | |
| | ГАЗОВЫЙ ФИЛЬТР GFK50R10-6 2" | 64280124 | 7 → 9 | | ● | ● | | | | | | | | | | | | | | | | |
| 0103 | ПРОКЛАДКА 1 1/2" D:44-32-2 | 12013460 | 0 - 1 | ● | | | | | | | | | | | | | | | | | | |
| | ПРОКЛАДКА D:62-46-2 | 64201292 | 2 - 3 | | ● | | | | | | | | | | | | | | | | | |
| | ПРОКЛАДКА D:62-46-2 | 64201292 | 6 | | | ● | | | | | | | | | | | | | | | | |
| | ПРОКЛАДКА D:78-60-2 | 64200568 | 6 → 9 | ● | | | | | | | | | | | | | | | | | | |
| | ПРОКЛАДКА D:78-60-2 | 64200568 | 7 → 9 | | ● | ● | | | | | | | | | | | | | | | | |
| 0104 | ШТИФТ A1312 | 64200600 | | ● | | | | | | | | | | | | | | | | | | |
| 0105 | МОТОР ВЕНТИЛЯТОРА | 64201247 | 5 | | ● | ● | | | | | | | | | | | | | | | | |
| | МОТОР ВЕНТИЛЯТОРА | 64280312 | 6 → 8 | ● | | | | | | | | | | | | | | | | | | |
| | МОТОР ВЕНТИЛЯТОРА | 64280312 | 6 → 9 | | ● | ● | | | | | | | | | | | | | | | | |
| | МОТОР ВЕНТИЛЯТОРА | 64280312 | 9 | ● | | | | | | | | | | | | | | | | | | |
| | МОТОР ВЕНТИЛЯТОРА KMF63 RLDF | 64280311 | 0 → 4 | | ● | | | | | | | | | | | | | | | | | |
| 0106 | МОТОР ВЕНТИЛЯТОРА | 64200298 | 0 - 1 | ● | | | | | | | | | | | | | | | | | | |
| | МОТОР ВЕНТИЛЯТОРА | 64200298 | 0 → 2 | ● | | | | | | | | | | | | | | | | | | |
| | МОТОР ВЕНТИЛЯТОРА | 64200299 | 2 | | ● | | | | | | | | | | | | | | | | | |
| | МОТОР ВЕНТИЛЯТОРА | 64200299 | 3 | ● | | | | | | | | | | | | | | | | | | |
| | МОТОР ВЕНТИЛЯТОРА | 64200300 | 3 → 7 | | ● | | | | | | | | | | | | | | | | | |
| | МОТОР ВЕНТИЛЯТОРА | 64200300 | 4 → 6 | ● | | | | | | | | | | | | | | | | | | |
| | МОТОР ВЕНТИЛЯТОРА | 64200300 | 5 - 6 | | | ● | | | | | | | | | | | | | | | | |
| | МОТОР ВЕНТИЛЯТОРА | 64200313 | 7 | | | | | | | | | | | | | | | | | | | |
| | МОТОР ВЕНТИЛЯТОРА | 64200313 | 7 - 8 | ● | | | | | | | | | | | | | | | | | | |
| | МОТОР ВЕНТИЛЯТОРА | 64200313 | 8 - 9 | | ● | ● | | | | | | | | | | | | | | | | |
| | МОТОР ВЕНТИЛЯТОРА | 64200316 | 9 | ● | | | | | | | | | | | | | | | | | | |
| 0107 | ПРОКЛАДКА 25X3 ММ L:20 М | 64200996-01 | | | ● | ● | | | | | | | | | | | | | | | | |
| 0109 | ЭЛЕКТРОД РОЗЖИГА + ПРОКЛАДКА | 64201564 | | ● | | | | | | | | | | | | | | | | | | |
| 0110 | ЭЛЕКТРОД ИОНИЗАЦИИ | 64201562 | | | ● | ● | | | | | | | | | | | | | | | | |
| 0111 | ПРОКЛАДКА | 65000483 | 0 → 2 | | ● | | | | | | | | | | | | | | | | | |
| | ПРОКЛАДКА | 65000483 | 0 → 3 | ● | | | | | | | | | | | | | | | | | | |
| | ПРОКЛАДКА | 64200991 | 4 - 5 | | ● | ● | | | | | | | | | | | | | | | | |
| | ПРОКЛАДКА | 64200991 | 5 - 6 | ● | | | | | | | | | | | | | | | | | | |
| | ПРОКЛАДКА | 64201291 | 6 → 9 | | ● | ● | | | | | | | | | | | | | | | | |
| | ПРОКЛАДКА | 64201291 | 7-8 | ● | | | | | | | | | | | | | | | | | | |
| | ПРОКЛАДКА 25X3 ММ L:20 М | 64200996-01 | 3 | | ● | | | | | | | | | | | | | | | | | |
| | ПРОКЛАДКА 25X3 ММ L:20 М | 64200996-01 | 4 | ● | | | | | | | | | | | | | | | | | | |
| | ПРОКЛАДКА 25X3 ММ L:20 М | 64200996-01 | 9 | | ● | | | | | | | | | | | | | | | | | |
| 0112 | ГИБКАЯ ТРУБКА (ТЕФЛОН) D:6/8 L: 2M | 64280527 | | ● | ● | ● | | | | | | | | | | | | | | | | |
| 0113 | ЧЕРНАЯ ТРУБКА D:4.3x2.9 L:1M | 64201304 | | | | | | | | | | | | | | | | | | | | |
| 0114 | ШТУЦЕР ИЗМЕРЕНИЯ ДАВЛЕНИЯ 1/8" | 64211101 | | ● | ● | ● | | | | | | | | | | | | | | | | |
| 0115 | Т-ОБРАЗНЫЙ КОННЕКТОР | 64201301 | | | | | | | | | | | | | | | | | | | | |
| 0116 | КОННЕКТОР 1/8" 8 ММ | 64200855 | | ● | ● | ● | | | | | | | | | | | | | | | | |
| 0117 | СИНЯЯ ТРУБКА D:4.3x2.9 L:1M | 64201305 | | | | | | | | | | | | | | | | | | | | |
| 0118 | ВОЗДУШНЫЙ ФИЛЬТР | 64280125 | | ● | ● | ● | | | | | | | | | | | | | | | | |
| 0119 | ПРОКЛАДКА | 64201306 | | | | | | | | | | | | | | | | | | | | |
| | ПРОКЛАДКА | 64201306 | 0 → 8 | ● | | | | | | | | | | | | | | | | | | |
| | ПРОКЛАДКА | 64200989 | 9 | | | | | | | | | | | | | | | | | | | |



| ☉⇒ | Description | Manf. Pt. N | Type | | | | | | | | | | | | | | | | | | |
|------|--|-------------|-------|---|---|---|---|---|---|---|---|---|----|----|----|----|----|----|-------|----|----|
| | | | | 1 | 2 | 3 | 4 | 5 | 6 | 7 | 8 | 9 | 10 | 11 | 12 | 13 | 14 | 15 | 16 | 17 | 18 |
| 0200 | ГИДРАВЛИЧЕСКАЯ ЧАСТЬ | | | | | | | | | | | | | | | | | | | | |
| 0201 | РЕЛЕ ПРОТОКА F61SB-9100 | 64210206 | | ● | ● | ● | | | | | | | | | | | | | | | |
| 0202 | КРАН (1/2") | 64211228 | | | | | | | | | | | | | | | | | | | |
| 0204 | ПРЕДОХРАНИТЕЛЬНЫЙ КЛАПАН (3/4" 3 БАРА) | 64211301 | 2 - 3 | ● | ● | | | | | | | | | | | | | | | | |
| | ПРЕДОХРАНИТЕЛЬНЫЙ КЛАПАН (1" 3 БАРА) | 64211302 | 4 → 6 | | | | | | | | | | | | | | | | | | |
| | ПРЕДОХРАНИТЕЛЬНЫЙ КЛАПАН (1" 3 БАРА) | 64211302 | 5 | | | ● | | | | | | | | | | | | | | | |
| | ПРЕДОХРАНИТЕЛЬНЫЙ КЛАПАН (1 1/4" 3 БАРА) | 64211303 | 6 → 9 | | | | | | | | | | | | | | | | | | |
| | ПРЕДОХРАНИТЕЛЬНЫЙ КЛАПАН (1 1/4" 3 БАРА) | 64211303 | 7 → 9 | ● | ● | | | | | | | | | | | | | | | | |
| | ПРЕДОХРАНИТЕЛЬНЫЙ КЛАПАН (1" 5 БАР) | 64211307 | 4 → 6 | | | ● | | | | | | | | | | | | | | | |
| | ПРЕДОХРАНИТЕЛЬНЫЙ КЛАПАН (1/4" 5 БАР) | 64211308 | 7 → 9 | ● | ● | | | | | | | | | | | | | | | | |
| | ПРЕДОХРАНИТЕЛЬНЫЙ КЛАПАН (3/4" 5 БАР) | 64211306 | 2 - 3 | | | | | | | | | | | | | | | | | | |
| | ПРЕДОХРАНИТЕЛЬНЫЙ КЛАПАН (1/2" 3 БАРА) | 64201923 | 0 - 1 | ● | ● | | | | | | | | | | | | | | | | |
| 0205 | ДАТЧИК ТЕМПЕРАТУРЫ | 64280522 | | | | ● | | | | | | | | | | | | | | | |
| 0206 | МАНОМЕТР (0-6 БАР) | 64201240 | | ● | ● | | | | | | | | | | | | | | | | |
| 0207 | НАСОС | 64200554 | 0 - 1 | | | | | | | | | | | | | | | | | | |
| | НАСОС UPS 32-120F 400V | 64280402 | 2 - 3 | | | ● | | | | | | | | | | | | | | | |
| | НАСОС UPS 32-120F 400V | 64280402 | 2 → 4 | ● | | | | | | | | | | | | | | | | | |
| | НАСОС UPS 40-120F 400V | 64280403 | 4 - 5 | | | ● | ● | | | | | | | | | | | | | | |
| | НАСОС UPS 40-120F 400V | 64280403 | 5 | ● | | | | | | | | | | | | | | | | | |
| | НАСОС UPS 50-120F 400V | 64200557 | 6 → 8 | | | ● | ● | | | | | | | | | | | | | | |
| | НАСОС UPS 65-120F 400V | 64200082 | 9 | ● | | | | | | | | | | | | | | | | | |
| 0208 | РЕЛЕ ДАВЛЕНИЯ (MAX) SDBRAM | 64201241 | | | | ● | ● | | | | | | | | | | | | | | |
| 0209 | РЕЛЕ ДАВЛЕНИЯ (MIN) HUBA 625.9978 | 64201242 | | ● | | | | | | | | | | | | | | | | | |
| 0214 | ПЛОСКАЯ ПРОКЛАДКА D:115-77-3 | 64200998 | 9 | | | ● | ● | | | | | | | | | | | | | | |
| | ПЛОСКАЯ ПРОКЛАДКА D:75-38-3 | 64200997 | 0 → 3 | | | | | | | | | | | | | | | | | | |
| | ПЛОСКАЯ ПРОКЛАДКА D:75-38-3 | 64200997 | 0 → 4 | ● | | | | | | | | | | | | | | | | | |
| | ПЛОСКАЯ ПРОКЛАДКА D:85-45-3 | 64200513 | 4 - 5 | | | ● | ● | | | | | | | | | | | | | | |
| | ПЛОСКАЯ ПРОКЛАДКА D:85-45-3 | 64200513 | 5 | ● | | | | | | | | | | | | | | | | | |
| | ПЛОСКАЯ ПРОКЛАДКА D:95-58-3 | 64200512 | 6 → 8 | | | ● | ● | | | | | | | | | | | | | | |
| 0215 | ПРОКЛАДКА | 12037814 | 0 - 1 | | | | | | | | | | | | | | | | 12/04 | | |
| | ПРОКЛАДКА | 64201250 | 0 - 1 | | | ● | | | | | | | | | | | | | 01/05 | | |
| | ПРОКЛАДКА | 12037814 | 0 → 2 | ● | | | | | | | | | | | | | | | 12/04 | | |
| | ПРОКЛАДКА | 64201250 | 0 → 2 | | | | | | | | | | | | | | | | 01/05 | | |
| | ПРОКЛАДКА | 12037825 | 2 | | | ● | | | | | | | | | | | | | 12/04 | | |
| | ПРОКЛАДКА | 64201251 | 2 | | | | | | | | | | | | | | | | 01/05 | | |
| | ПРОКЛАДКА | 12037825 | 3 | | | ● | | | | | | | | | | | | | 12/04 | | |
| | ПРОКЛАДКА | 12037836 | 3 | | | ● | | | | | | | | | | | | | 12/04 | | |
| | ПРОКЛАДКА | 64200597 | 3 | | | | | | | | | | | | | | | | 01/05 | | |
| | ПРОКЛАДКА | 64201251 | 3 | | | ● | | | | | | | | | | | | | 01/05 | | |
| | ПРОКЛАДКА | 12037836 | 4 | | | | | | | | | | | | | | | | 12/04 | | |
| | ПРОКЛАДКА | 64200597 | 4 | | | ● | | | | | | | | | | | | | 01/05 | | |
| | ПРОКЛАДКА | 64201238 | 4 | | | | ● | | | | | | | | | | | | 01/05 | | |
| | ПРОКЛАДКА | 64201477 | 4 | | | | | | | | | | | | | | | | 12/04 | | |
| | ПРОКЛАДКА | 12037858 | 5 | | | ● | ● | | | | | | | | | | | | 12/04 | | |
| | ПРОКЛАДКА | 64200596 | 5 | | | | | | | | | | | | | | | | 01/05 | | |
| | ПРОКЛАДКА | 64201238 | 5 | | | ● | | | | | | | | | | | | | 01/05 | | |
| | ПРОКЛАДКА | 64201477 | 5 | | | | | | | | | | | | | | | | 12/04 | | |
| | ПРОКЛАДКА | 12037858 | 6 | | | ● | | | | | | | | | | | | | 12/04 | | |
| | ПРОКЛАДКА | 12037869 | 6 | | | ● | ● | | | | | | | | | | | | 12/04 | | |
| | ПРОКЛАДКА | 64200596 | 6 | | | ● | | | | | | | | | | | | | 01/05 | | |
| | ПРОКЛАДКА | 64200598 | 6 | | | ● | ● | | | | | | | | | | | | 01/05 | | |
| | ПРОКЛАДКА | 12037869 | 7 | | | ● | | | | | | | | | | | | | 12/04 | | |
| | ПРОКЛАДКА | 12037880 | 7 | | | ● | ● | | | | | | | | | | | | 12/04 | | |
| | ПРОКЛАДКА | 64200598 | 7 | | | ● | | | | | | | | | | | | | 01/05 | | |
| | ПРОКЛАДКА | 64201297 | 7 | | | ● | ● | | | | | | | | | | | | 01/05 | | |
| | ПРОКЛАДКА | 12037880 | 8 | | | ● | | | | | | | | | | | | | 12/04 | | |
| | ПРОКЛАДКА | 12038386 | 8 | | | ● | ● | | | | | | | | | | | | 12/04 | | |
| | ПРОКЛАДКА | 64201297 | 8 | | | ● | | | | | | | | | | | | | 01/05 | | |
| | ПРОКЛАДКА | 64201298 | 8 | | | ● | ● | | | | | | | | | | | | 01/05 | | |
| | ПРОКЛАДКА | 12038386 | 9 | | | ● | | | | | | | | | | | | | 12/04 | | |
| | ПРОКЛАДКА | 12038397 | 9 | | | ● | ● | | | | | | | | | | | | 12/04 | | |
| | ПРОКЛАДКА | 64201298 | 9 | | | ● | | | | | | | | | | | | | 01/05 | | |
| | ПРОКЛАДКА | 64201299 | 9 | | | ● | ● | | | | | | | | | | | | 01/05 | | |
| 0216 | ПЛОСКАЯ ПРОКЛАДКА D:115-77-3 | 64200998 | 4 → 9 | | | | | | | | | | | | | | | | | | |
| | ПЛОСКАЯ ПРОКЛАДКА D:115-77-3 | 64200998 | 5 → 9 | ● | | | | | | | | | | | | | | | | | |
| | ПЛОСКАЯ ПРОКЛАДКА D:95-58-3 | 64200512 | 0 → 3 | | | ● | | | | | | | | | | | | | | | |
| | ПЛОСКАЯ ПРОКЛАДКА D:95-58-3 | 64200512 | 0 → 4 | ● | | | | | | | | | | | | | | | | | |
| 0217 | СМОТРОВОЕ ОКНО | 64200929 | | | | ● | ● | | | | | | | | | | | | | | |



| ☉⇒ | Description | Manf. Pt. N | Type | R 2700 R 2800 R 2900 | | | | | | | | | | | | | | | | | |
|------|--------------------------------|-------------|-------|----------------------|---|---|---|---|---|---|---|---|----|----|----|----|----|----|----|----|----|
| | | | | 1 | 2 | 3 | 4 | 5 | 6 | 7 | 8 | 9 | 10 | 11 | 12 | 13 | 14 | 15 | 16 | 17 | 18 |
| 0300 | ГОРЕЛКА И ТЕПЛООБМЕННИК | | | | | | | | | | | | | | | | | | | | |
| 0301 | ТЕПЛООБМЕННИК ГОРЕЛКИ | 64201243 | 0 - 1 | | • | | | | | | | | | | | | | | | | |
| | ТЕПЛООБМЕННИК ГОРЕЛКИ | 64201243 | 0 → 2 | • | | | | | | | | | | | | | | | | | |
| | ТЕПЛООБМЕННИК ГОРЕЛКИ | 64201244 | 2 | | • | | | | | | | | | | | | | | | | |
| | ТЕПЛООБМЕННИК ГОРЕЛКИ | 64201244 | 3 | • | | | | | | | | | | | | | | | | | |
| | ТЕПЛООБМЕННИК ГОРЕЛКИ | 64201245 | 3 | | • | | | | | | | | | | | | | | | | |
| | ТЕПЛООБМЕННИК ГОРЕЛКИ | 64201245 | 4 | • | | | | | | | | | | | | | | | | | |
| | ТЕПЛООБМЕННИК ГОРЕЛКИ | 64201246 | 4 | | • | | | | | | | | | | | | | | | | |
| | ТЕПЛООБМЕННИК ГОРЕЛКИ | 64200276 | 5 | | | • | | | | | | | | | | | | | | | |
| | ТЕПЛООБМЕННИК ГОРЕЛКИ | 64201246 | 5 | • | | | | | | | | | | | | | | | | | |
| | ТЕПЛООБМЕННИК ГОРЕЛКИ | 64200276 | 6 | | | | | | | | | | | | | | | | | | |
| | ТЕПЛООБМЕННИК ГОРЕЛКИ | 64201248 | 6 | | • | • | | | | | | | | | | | | | | | |
| | ТЕПЛООБМЕННИК ГОРЕЛКИ | 64201248 | 7 | • | | | | | | | | | | | | | | | | | |
| | ТЕПЛООБМЕННИК ГОРЕЛКИ | 64201249 | 7 | | • | • | | | | | | | | | | | | | | | |
| | ТЕПЛООБМЕННИК ГОРЕЛКИ | 64200216 | 8 | | | | | | | | | | | | | | | | | | |
| | ТЕПЛООБМЕННИК ГОРЕЛКИ | 64201249 | 8 | • | | | | | | | | | | | | | | | | | |
| | ТЕПЛООБМЕННИК ГОРЕЛКИ | 64200216 | 9 | | | | | | | | | | | | | | | | | | |
| | ТЕПЛООБМЕННИК ГОРЕЛКИ | 64200497 | 9 | | • | • | | | | | | | | | | | | | | | |
| 0302 | ТЕПЛООБМЕННИК | 64201257 | 0 - 1 | | | | | | | | | | | | | | | | | | |
| | ТЕПЛООБМЕННИК | 64201257 | 0 → 2 | • | | | | | | | | | | | | | | | | | |
| | ТЕПЛООБМЕННИК | 64201258 | 2 | | • | | | | | | | | | | | | | | | | |
| | ТЕПЛООБМЕННИК | 64201258 | 3 | • | | | | | | | | | | | | | | | | | |
| | ТЕПЛООБМЕННИК | 64201259 | 3 | | • | | | | | | | | | | | | | | | | |
| | ТЕПЛООБМЕННИК | 64201259 | 4 | • | | | | | | | | | | | | | | | | | |
| | ТЕПЛООБМЕННИК | 64201260 | 4 | | • | | | | | | | | | | | | | | | | |
| | ТЕПЛООБМЕННИК | 64201260 | 5 | • | | | | | | | | | | | | | | | | | |
| | ТЕПЛООБМЕННИК | 64201261 | 5 | | • | • | | | | | | | | | | | | | | | |
| | ТЕПЛООБМЕННИК | 64201261 | 6 | • | | | | | | | | | | | | | | | | | |
| | ТЕПЛООБМЕННИК | 64201262 | 6 | | • | • | | | | | | | | | | | | | | | |
| | ТЕПЛООБМЕННИК | 64201262 | 7 | • | | | | | | | | | | | | | | | | | |
| | ТЕПЛООБМЕННИК | 64201263 | 7 | | • | • | | | | | | | | | | | | | | | |
| | ТЕПЛООБМЕННИК | 64201263 | 8 | • | | | | | | | | | | | | | | | | | |
| | ТЕПЛООБМЕННИК | 64201264 | 8 | | • | • | | | | | | | | | | | | | | | |
| | ТЕПЛООБМЕННИК | 64201264 | 9 | • | | | | | | | | | | | | | | | | | |
| | ТЕПЛООБМЕННИК | 64201265 | 9 | | • | • | | | | | | | | | | | | | | | |
| 0303 | ТЕПЛООБМЕННИК | 64201266 | 0 | • | | | | | | | | | | | | | | | | | |
| | ТЕПЛООБМЕННИК | 64201267 | 0 - 1 | | • | | | | | | | | | | | | | | | | |
| | ТЕПЛООБМЕННИК | 64201267 | 1 → 2 | • | | | | | | | | | | | | | | | | | |
| | ТЕПЛООБМЕННИК | 64201268 | 2 | | • | | | | | | | | | | | | | | | | |
| | ТЕПЛООБМЕННИК | 64201268 | 3 | • | | | | | | | | | | | | | | | | | |
| | ТЕПЛООБМЕННИК | 64201269 | 3 | | • | | | | | | | | | | | | | | | | |
| | ТЕПЛООБМЕННИК | 64201269 | 4 | • | | | | | | | | | | | | | | | | | |
| | ТЕПЛООБМЕННИК | 64201270 | 4 | | • | | | | | | | | | | | | | | | | |
| | ТЕПЛООБМЕННИК | 64201270 | 5 | • | | | | | | | | | | | | | | | | | |
| | ТЕПЛООБМЕННИК | 64201271 | 5 | | • | • | | | | | | | | | | | | | | | |
| | ТЕПЛООБМЕННИК | 64201271 | 6 | • | | | | | | | | | | | | | | | | | |
| | ТЕПЛООБМЕННИК | 64201272 | 6 | | • | • | | | | | | | | | | | | | | | |
| | ТЕПЛООБМЕННИК | 64201272 | 7 | • | | | | | | | | | | | | | | | | | |
| | ТЕПЛООБМЕННИК | 64201273 | 7 | | • | • | | | | | | | | | | | | | | | |
| | ТЕПЛООБМЕННИК | 64201273 | 8 | • | | | | | | | | | | | | | | | | | |
| | ТЕПЛООБМЕННИК | 64201274 | 8 | | • | • | | | | | | | | | | | | | | | |
| | ТЕПЛООБМЕННИК | 64201274 | 9 | • | | | | | | | | | | | | | | | | | |
| | ТЕПЛООБМЕННИК | 64201275 | 9 | | • | • | | | | | | | | | | | | | | | |



| ☉⇒ | Description | Manf. Pt. N | Type | | | | | | | | | | | | | | | | | | |
|-------------|------------------------------------|-------------|-------|---|---|---|---|---|---|---|---|---|----|----|----|----|----|----|-------|----|----|
| | | | | 1 | 2 | 3 | 4 | 5 | 6 | 7 | 8 | 9 | 10 | 11 | 12 | 13 | 14 | 15 | 16 | 17 | 18 |
| 0400 | КОРПУС | | | | | | | | | | | | | | | | | | | | |
| 0401 | ПАНЕЛЬ КОРПУСА ПЕРЕДНЯЯ (БЕЛАЯ) | 64201541 | 7 - 8 | • | • | • | | | | | | | | | | | | | | | |
| 0402 | ФИКСАТОР ПАНЕЛИ | 64200502 | | | | | | | | | | | | | | | | | | | |
| 0403 | ПАНЕЛЬ КОРПУСА ПРАВАЯ | 65000437 | 0 → 3 | • | • | | | | | | | | | | | | | | | | |
| | ПАНЕЛЬ КОРПУСА ПРАВАЯ | 65000438 | 4 → 9 | | | • | | | | | | | | | | | | | | | |
| 0404 | ПАНЕЛЬ КОРПУСА ЗАДНЯЯ | 65000439 | | • | • | | | | | | | | | | | | | | | | |
| 0500 | ЭЛЕКТРИЧЕСКАЯ ЧАСТЬ | | | | | | | | | | | | | | | | | | | | |
| 0501 | КАБЕЛЬ ЭЛЕКТРОДА РОЗЖИГА | 12084531 | | • | • | • | | | | | | | | | | | | | | | |
| 0502 | КОЛПАЧОК ЭЛЕКТРОДА ИОНИЗАЦИИ | 64210409 | | | | | | | | | | | | | | | | | | | |
| 0503 | ТРАНСФОРМАТОР 220V / КМ628 | 64280526 | | • | • | • | | | | | | | | | | | | | | | |
| 0504 | ПРЕОБРАЗОВАТЕЛЬ ЧАСТОТЫ 8201-E | 64200873 | | | | | | | | | | | | | | | | | | | |
| 0505 | БЛОК УПРАВЛЕНИЯ КМ628 | 65000230 | | • | • | • | | | | | | | | | | | | | 04/99 | | |
| | БЛОК УПРАВЛЕНИЯ КМ628 | 65000230 | 0 → 7 | | | | | | | | | | | | | | | | | | |
| 0506 | ТРАНСФОРМАТОР РОЗЖИГА | 64201670 | | • | • | • | | | | | | | | | | | | | | | |
| 0507 | КНОПКА (ВКЛ/ВЫКЛ) | 64200294 | | | | | | | | | | | | | | | | | | | |
| 0508 | МОДУЛЬ СОПРЯЖЕНИЯ СХЕ | 64280310 | | • | • | • | | | | | | | | | | | | | | | |
| 0509 | ФИЛЬТР | 64280121 | | | | | | | | | | | | | | | | | | | |
| 0510 | РЕЛЕ СА4-5 220V | 64280461 | | • | • | • | | | | | | | | | | | | | | | |
| 0511 | КАБЕЛЬ ЭЛЕКТРОДА ИОНИЗАЦИИ В СБОРЕ | 64201300 | | | | | | | | | | | | | | | | | | | |
| 0512 | РЕЛЕ ДАВЛЕНИЯ ВОЗДУХА | 64280407 | | • | • | • | | | | | | | | | | | | | | | |
| 0513 | КОНТРОЛЛЕР E8 | 65000252 | E8 | | | | | | | | | | | | | | | | | | |
| | МОДУЛЬ ВМ8 | 64200788 | ВМ8 | • | • | • | | | | | | | | | | | | | | | |
| | КОНТРОЛЛЕР ККМ8 | 65000251 | ККМ | | | | | | | | | | | | | | | | | | |
| 0514 | КОЛПАЧОК ЭЛЕКТРОДА РОЗЖИГА | 64210410 | | • | • | • | | | | | | | | | | | | | | | |

LIST OF THE ABBREVIATIONS

| | |
|-------------|--|
| HW | : Hot water. |
| CW | : Cold water. |
| C | : Ceramic resistance (normal heating). |
| Ca | : Ceramic resistance (accelerated heating) |
| TP | : Immersion heater. |
| 1F | : With fittings. |
| 2F | : Without fittings. |
| 3F | : With fittings and another outlet connection. |
| AMI | : With mixing valve. |
| SMI | : Without mixing valve. |
| PUISS | : Power of th appliance. |
| PN | : Appliance with normal pression. |
| LP | : Appliance with low pression. |
| PV | : Appliance with variable power. |
| PF | : Appliance with fixed power. |

IDENTIFICATION PLATE

SERIAL NUMBER

| | | |
|--|---------------------------|---|
| 10 Characters : | 04 05 125 011 | Sequential number Manufacturing day Year of manufacture |
| 11 Characters : | 1 95 065004 - 31 | Technical number of the appliance Sequential number Year of manufacture |
| Month of manufacture : from 1 to 9 → Jan. to Sep., O → Oct., N → Nov., D → Dec. | | |
| 19 Characters : | 08 05 0013199 900640031 | Product reference Sequential number |
| Year of manufacture Month of manufacture | | |
| 20 Characters : | 3675007 XX 2 07 070 00315 | Sequential number Manufacturing day Year of manufacture |
| Product reference Millenium of manufacture | | |
| 21 Characters : | 3675007 XX 07 070 0000315 | Sequential number Manufacturing day |
| Product reference Year of manufacture | | |