

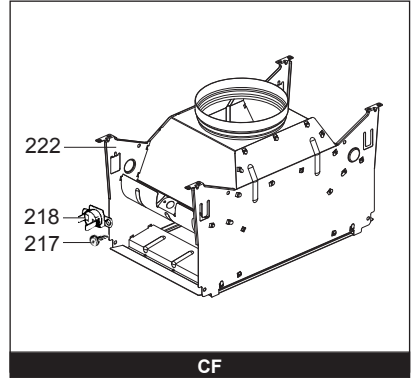
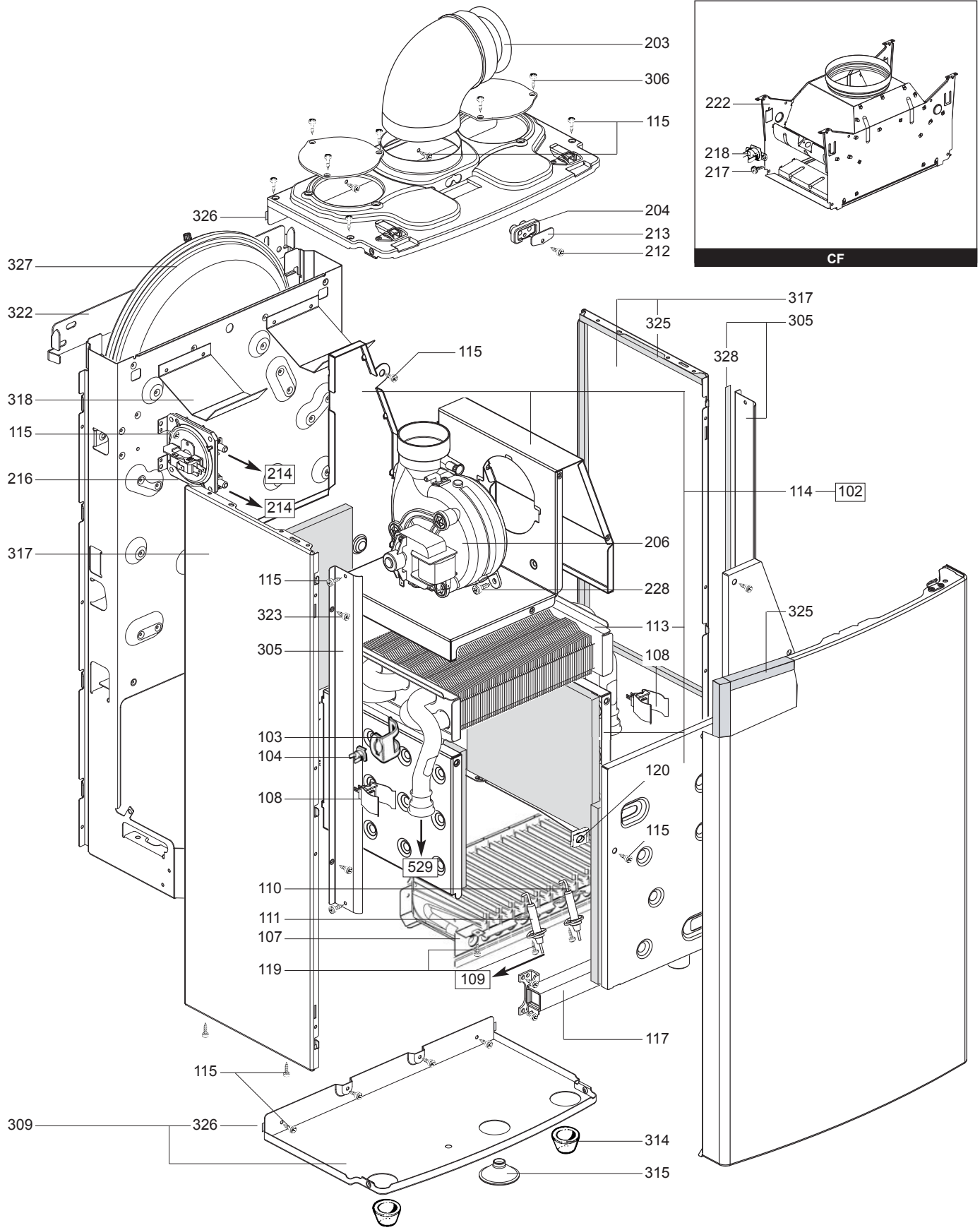
SPARE PARTS EXPLODED VIEW GAS-WALL BOILER ATM. BURNER

Model

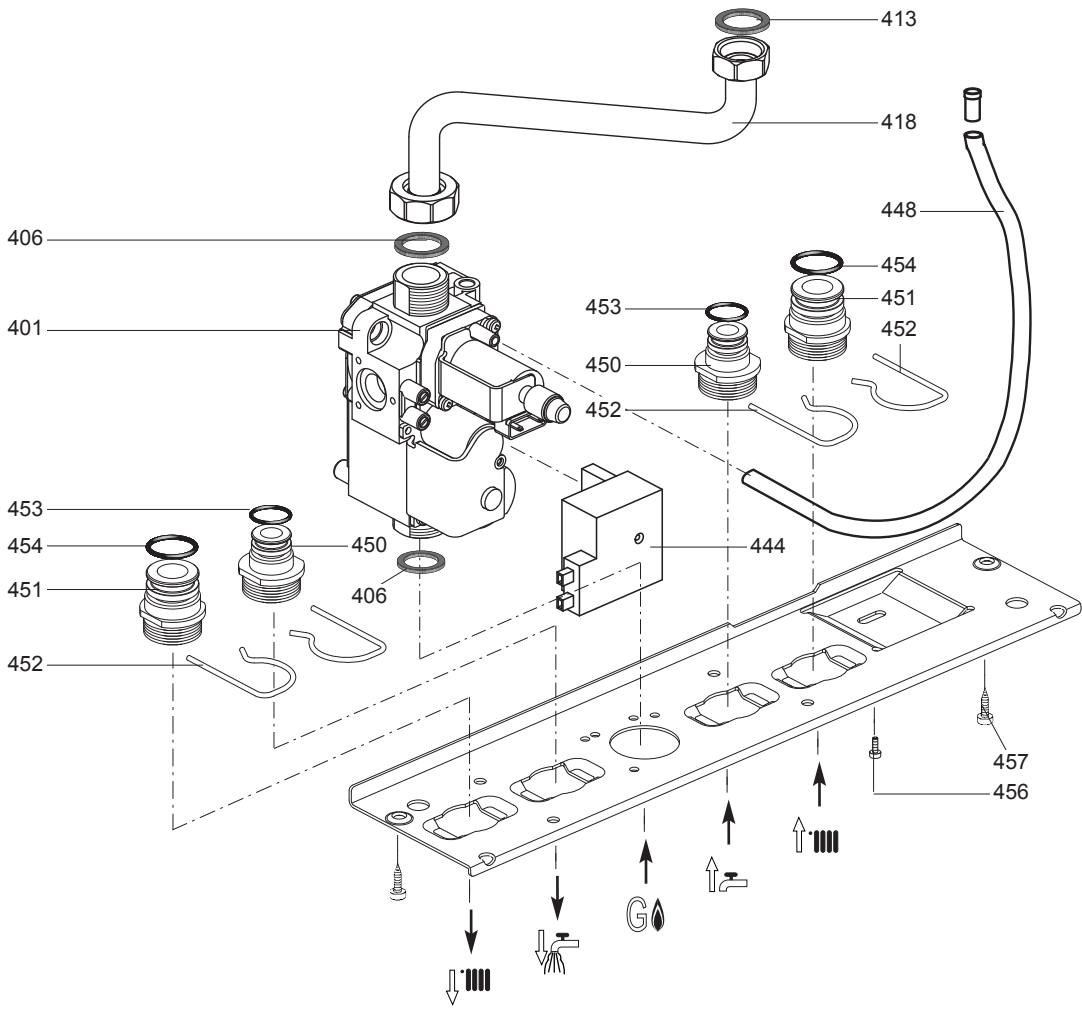
MIRA - MIRA SYSTEM

R8202953-05 - 12/11/2020

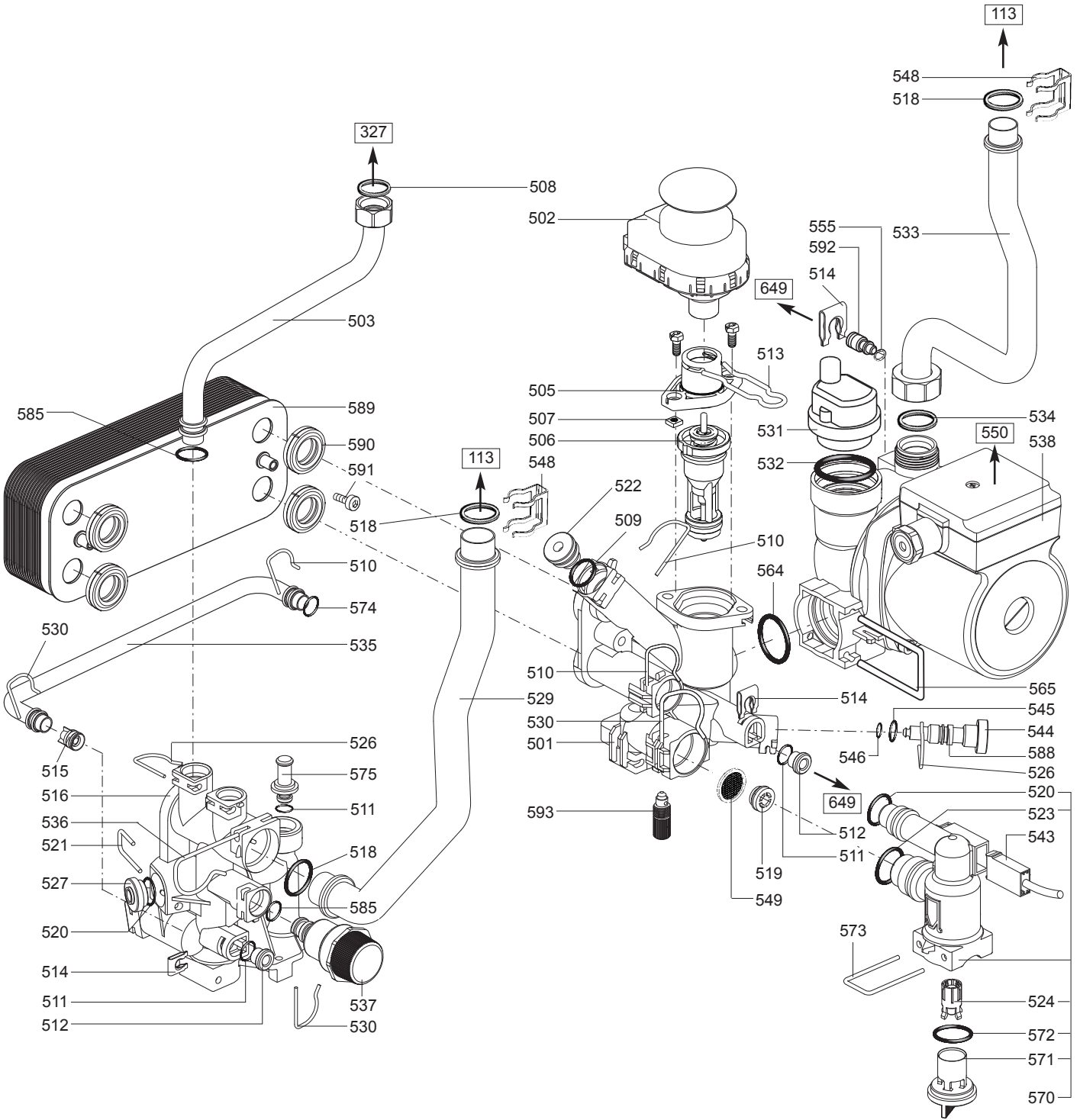
1	3650070	MIRA 24 CF NAT TP	09-2005	09-2008
2	3650069	MIRA 24 FF NAT TP	09-2005	09-2008
3	3650034	MIRA SYSTEM 24 CF N	03-2005	04-2008
4	3650035	MIRA SYSTEM 24 FF N	03-2005	03-2008
5	3650071	MIRA 30 FF NAT TP	09-2005	06-2008
6	3650037	MIRA SYSTEM 30 FF N	03-2005	03-2008
Col	Reference	Model type	Begin	End



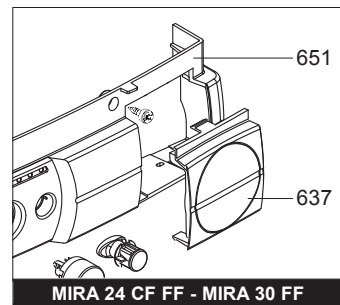
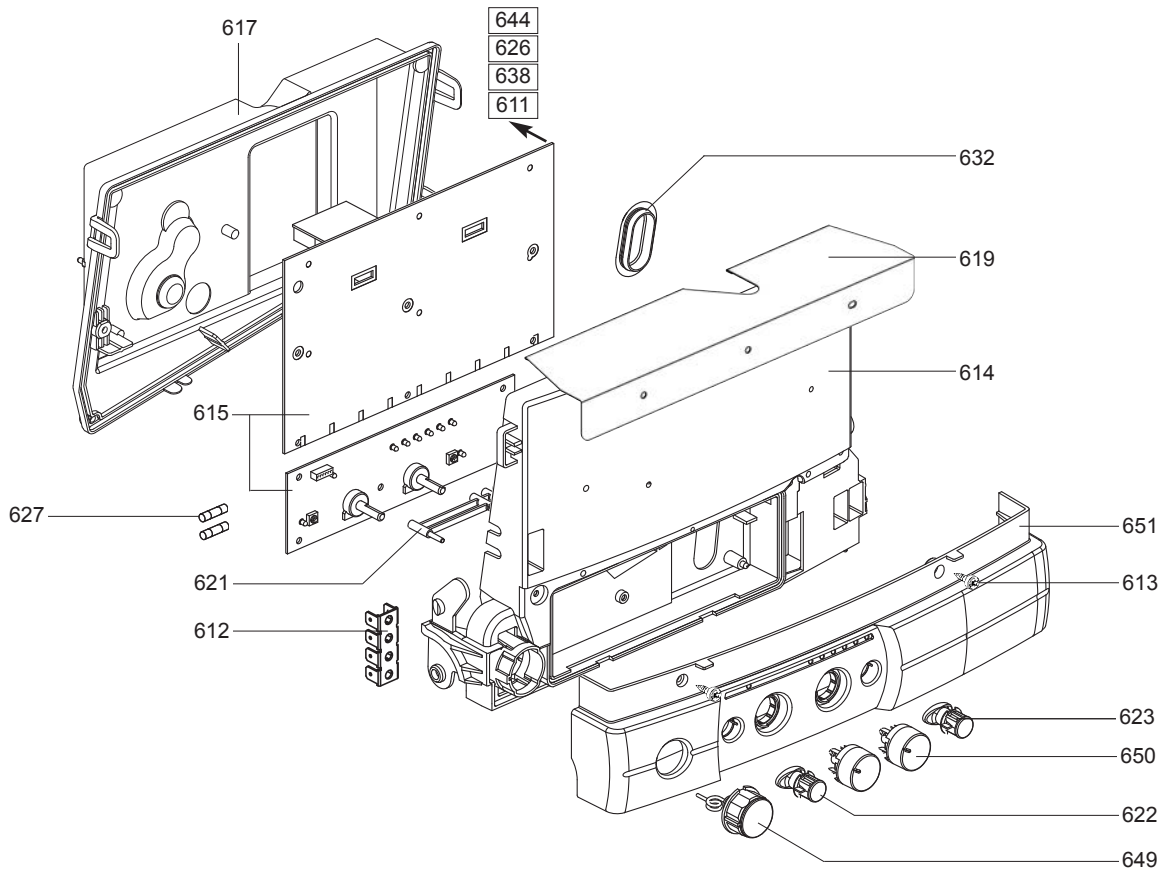
Description	Manf. Pt. N	Type																			From	to
			1	2	3	4	5	6	7	8	9	10	11	12	13	14	15	16	17	18		
0100 BURNER ASSEMBLY																						
0102 COMBUSTION CHAMBER LINING KIT	61400230						●															
0103 CLIP	61010050		●	●	●	●	●	●														
0104 OVERHEAT THERMOSTAT 105°C	61010191			●			●															
0107 BURNER 24CF	61311357		●	●																		
BURNER 24FF	61315073			●			●															
BURNER 30FF	61311028								●	●												
0108 TEMPERATURE PROBE + CLIP	990686-01		●	●	●	●	●	●	●													
0109 ELECTRODE CABLE	61313738		●	●	●	●	●	●	●													
0110 IGNITION ELECTRODE	61314169		●	●	●	●	●	●	●													
0111 IONIZATION ELECTRODE	60000231		●	●	●	●	●	●	●													
0113 HEAT EXCHANGER 24CF	61310422-01		●	●																		
HEAT EXCHANGER 24FF	61310774			●			●															
HEAT EXCHANGER 30FF	61310430								●	●												
0114 COMBUSTION CHAMBER ASSY 24CF	61311368-01		●	●																		
COMBUSTION CHAMBER ASSY 24FF	61314556-01			●			●															
COMBUSTION CHAMBER ASSY 30FF	61314557-01								●	●												
0115 TAPPING SCREW CBLX D4,2X9,5	61010125		●	●	●	●	●	●	●													
0117 MANIFOLD 11 INJ. D:1.35	61311026	NAT		●			●															
MANIFOLD 12 INJ. D:1.25	61311358	NAT	●		●																	
MANIFOLD 14 INJ. D:1.30	61311033	NAT								●	●											
0119 TAPPING SCREW ST D: 4.2-9.5	61313796		●	●	●	●	●	●	●													
0120 SPIRE CLIP	60057488		●	●	●	●	●	●	●													
0200 FAN ASSEMBLY																						
0203 RESTRICTOR	60000197			●			●															
RESTRICTOR	60000198								●	●												
0204 GASKET (FLUE TEST POINT)	998636			●			●		●	●												
0206 FAN ASSY 1V 24FF	61310933			●			●															
FAN ASSY 1V 30FF	61312496									●	●											
0212 SCREW CLXS M 4-12	61015153			●			●		●	●												
0213 COVER (FLUE TEST POINT)	998565			●			●		●	●												
0214 SILICONE TUBE D: 9x3 L: 1.30M	60081265			●			●		●	●												
0216 AIR PRESSURE SWITCH 125 Pa	61313340-01			●			●															
AIR PRESSURE SWITCH 166 Pa	61313932-01									●	●											
0217 SHEET SCREW CBLX D: 3.5-6.5	61010126		●	●			●															
0218 OVERHEAT THERMOSTAT 72C	61010074		●	●																		
0222 DRAUGHT DIVERTER	61312338		●	●																		
0228 TAPPING SCREW CBLX D: 6.3-19	61010127			●			●		●	●												
0300 SEALED CASE																						
0305 RIGHT CONTROL PANEL	61312643			●			●		●	●												
0306 TAPPING SCREW CBLX D4,2X9,5	61010125			●			●		●	●												
0309 BASE - BOX	61315439			●			●		●	●												
0314 GROMMET	61010109			●			●		●	●												
0315 GROMMET	61312492			●			●		●	●												
0317 CONTROL PANEL	61310860			●			●		●	●												
LEFT SIDE PANEL	61312814		●	●																		
RIGHT SIDE PANEL	61312356		●	●																		
0318 DEFLECTOR	61313778			●			●		●	●												
0322 WALL HOOK	61312611		●	●			●		●	●												
0323 TAPPING SCREW D: 3.5-9.5	61015329		●	●			●		●	●												
0325 FOAM SEAL 20x15 L: 1.7M	61400236			●			●		●	●												
0326 FOAM SEAL 10x2 L: 800mm	61400237			●			●		●	●												
0327 EXPANSION VESSEL 5L	61311907		●	●	●		●		●	●												
0328 FOAM SEAL 15x10 L: 1M	61400393			●			●		●	●												



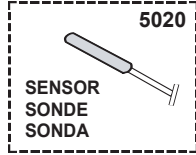
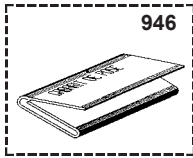
☑	Description	Manf. Pt. N	Type	<div style="display: flex; justify-content: space-between;"> <div style="transform: rotate(-45deg); font-size: 8px;"> MIRA 24 CF MIRA 24 FF MIRA SYSTEM 24 CF MIRA SYSTEM 24 FF MIRA 30 FF MIRA SYSTEM 30 FF </div> <div style="border: 1px solid black; padding: 2px; font-size: 10px; font-weight: bold;">31</div> </div>																		From	to					
				1	2	3	4	5	6	7	8	9	10	11	12	13	14	15	16	17	18							
0400	GAS SECTION																											
0401	GAS VALVE	61312123		●	●	●	●	●	●																			
0406	SHEET GASKET D: 24-18.2-1.5	60022835-01		●	●	●	●	●	●																			
0413	SHEET GASKET D: 18.4-12.2-1.5	60022835-14		●	●	●	●	●	●																			
0418	GAS TUBE	61312603			●			●	●	●																		
	GAS TUBE	61313505		●		●																						
0444	IGNITER	61312612		●	●	●	●	●	●																			
0448	COMPENSATION TUBE	573576			●		●	●	●																			
0450	CONNECTION	61311718		●	●	●	●	●	●																			
0451	CONNECTION	61311719		●	●	●	●	●	●																			
0452	PIN	61302332		●	●	●	●	●	●																			
0453	O-RING D: 13.6-2.7	60024164-18		●	●	●	●	●	●																			
0454	O-RING D: 18-3.15	61312979		●	●	●	●	●	●																			
0456	SCREW CBLXS M 5-12	61301928		●	●	●	●	●	●																			
0457	TAPPING SCREW CBLX D: 6.3-13	61010648		●	●	●	●	●	●																			



☉ →	Description	Manf. Pt. N	Type	MIRA SYSTEM																								
				1	2	3	4	5	6	7	8	9	10	11	12	13	14	15	16	17	18							
0500	HYDRAULIC BLOCK																											
0501	RIGHT HAND BLOCK	60000051																										
	RIGHT HAND BLOCK + V3V	61315676																										
0502	MOTOR (3-WAY VALVE)	61302483-01																										
0503	TUBE (Expan vessel)	61312602																										
0505	INTERFACE	61304003																										
0506	VALVE KIT	61311597																										
0507	NUT M 5	61016604																										
0508	SHEET GASKET D: 12-6-2	61308868																										
0509	O-RING D: 13.6-2.7	61009834-18																										
0510	CLIP	61010112																										
0511	O-RING D: 5.7-1.9	60024164-10																										
0512	PLUG	61016752																										
0513	PIN	61304002																										
0514	CLIP	61002406																										
0515	BY-PASS D:20	61316013																										
0516	LEFT HAND HYDRAULIC BLOCK	61312303																										
	LEFT HAND HYDRAULIC BLOCK	61315513																										
0518	O-RING D: 17-4	60024164-51																										
0519	FLOW REGULATORE 10L/MN (WHITE)	61017288-10																										
	FLOW REGULATORE 8L/MN (RED)	61017288-08																										
0520	O-RING D: 13.6-2.7	60024164-18																										
0521	PIN	61012909-02																										
0522	PLUG	61313056																										
0523	O-RING D: 18.4-2.7	60024164-22																										
0524	PISTON	61311314																										
0526	CLIP	61010005																										
0527	PLUG	61002490																										
0529	HEAT EXCHANGER TUBE	61312604																										
	HEAT EXCHANGER TUBE	61313033																										
0530	CLIP	61313953																										
0531	AIR SEPARATOR HEAD ASSEMBLY	61304608																										
0532	GASKET AIR SEPARATOR KIT	61304618																										
0533	TUBE : PUMP TO HEAT EXCHANGER	61312605																										
	TUBE : PUMP TO HEAT EXCHANGER	61313034																										
0534	O-RING D: 16-1.9	61009833-37																										
0535	BYPASS TUBE D:15	61314383																										
0536	PIN	61302332																										
0537	PRESSURE RELIEF VALVE (3 BAR)	61312668																										
0538	PUMP + AIR SEPARATOR 15/50	61301964																										
	PUMP + AIR SEPARATOR 15/60	61303461																										
0543	STOPPED WATER THROTTLE	61311745																										
0544	TAP KNOB	60066107																										
0545	O-RING D: 8.9-1.9	60024164-13																										
0546	O-RING D: 3.6-2.4	61009834-53																										
0548	CLIP	61010609																										
0549	WATER FILTER	61301924																										
0550	CAPACITOR	61000652-10																										
0555	O-RING 5.7X1.9	61009834-10																										
0564	O-RING D: 24.6-3.6	61009834-30																										
0565	PIN	61305185																										
0570	STOPPED WATER THROTTLE BODY	60000668																										
0571	PLUG	61314175																										
0572	O-RING D: 25-2.4	60024164-32																										
0573	PIN	61016206-02																										
0574	GASKET D: 15-3	61315715																										
0575	PLUG	61010485																										
0585	O-RING 8.9X2.7	61009834-14																										
0588	SPINDLE	61312368																										
0589	SANITARY HEAT EXCHANGER 193X75X35,5 16 P	61302409-01																										
0590	EXCHANGER GASKET	65104334																										
0591	SCREW CLX M 5-20	61017600																										
0592	PLUG	61314575																										
0593	DRAIN SCREW ASSY	60081904																										



MIRA 24 CF FF - MIRA 30 FF





Description

Manf. Pt. N

Type

31

MIRA 24 CF
 MIRA 24 FF
 MIRA 30 FF
 MIRA SYSTEM 24 CF
 MIRA SYSTEM 24 FF
 MIRA SYSTEM 30 FF

				1	2	3	4	5	6	7	8	9	10	11	12	13	14	15	16	17	18	From	to
0900	JIG PLATE & PIPE FITTING																						
0943	FITTING KIT	60000189		•																			
	FITTING KIT	61314691			•		•	•	•														
0946	JIG PLATE	61313748		•	•	•	•	•	•														
5000	ACCESSORIES																						
5003	BURNER JET FULL KIT (LPG)	60000455		•		•																	
	CONVERSION KIT GZ350	60000456			•		•																
	CONVERSION KIT GZ350	60000457						•	•														
5004	BURNER JET FULL KIT (LPG)	60000458		•		•																	
	CONVERSION KIT GZ410	60000459			•		•																
	CONVERSION KIT GZ410	60000460						•	•														
5020	BOILER THERMISTOR TEMP. SENSOR	60000454				•	•		•														

LIST OF THE ABBREVIATIONS

HW	: Hot water.
CW	: Cold water.
C	: Ceramic resistance (normal heating).
Ca	: Ceramic resistance (accelerated heating)
TP	: Immersion heater.
1F	: With fittings.
2F	: Without fittings.
3F	: With fittings and another outlet connection.
AMI	: With mixing valve.
SMI	: Without mixing valve.
PUISS	: Power of th appliance.
PN	: Appliance with normal pression.
LP	: Appliance with low pression.
PV	: Appliance with variable power.
PF	: Appliance with fixed power.

IDENTIFICATION PLATE

SERIAL NUMBER

10 Characters :	04 05 125 011	Sequential number
		Manufacturing day
		Year of manufacture
11 Characters :	1 95 065004 - 31	Technical number of the appliance
Month of manufacture : from 1 to 9 → Jan. to Sep., O → Oct., N → Nov., D → Dec.		Sequential number
		Year of manufacture
19 Characters :	08 05 0013199 900640031	Product reference
Year of manufacture		Sequential number
Month of manufacture		
20 Characters :	3675007 XX 2 07 070 00315	Sequential number
Product reference		Manufacturing day
Millenium of manufacture		Year of manufacture
21 Characters :	3675007 XX 07 070 0000315	Sequential number
Product reference		Manufacturing day
Year of manufacture		