

SPARE PARTS EXPLODED VIEW GAS-WALL BOILER ATM. BURNER

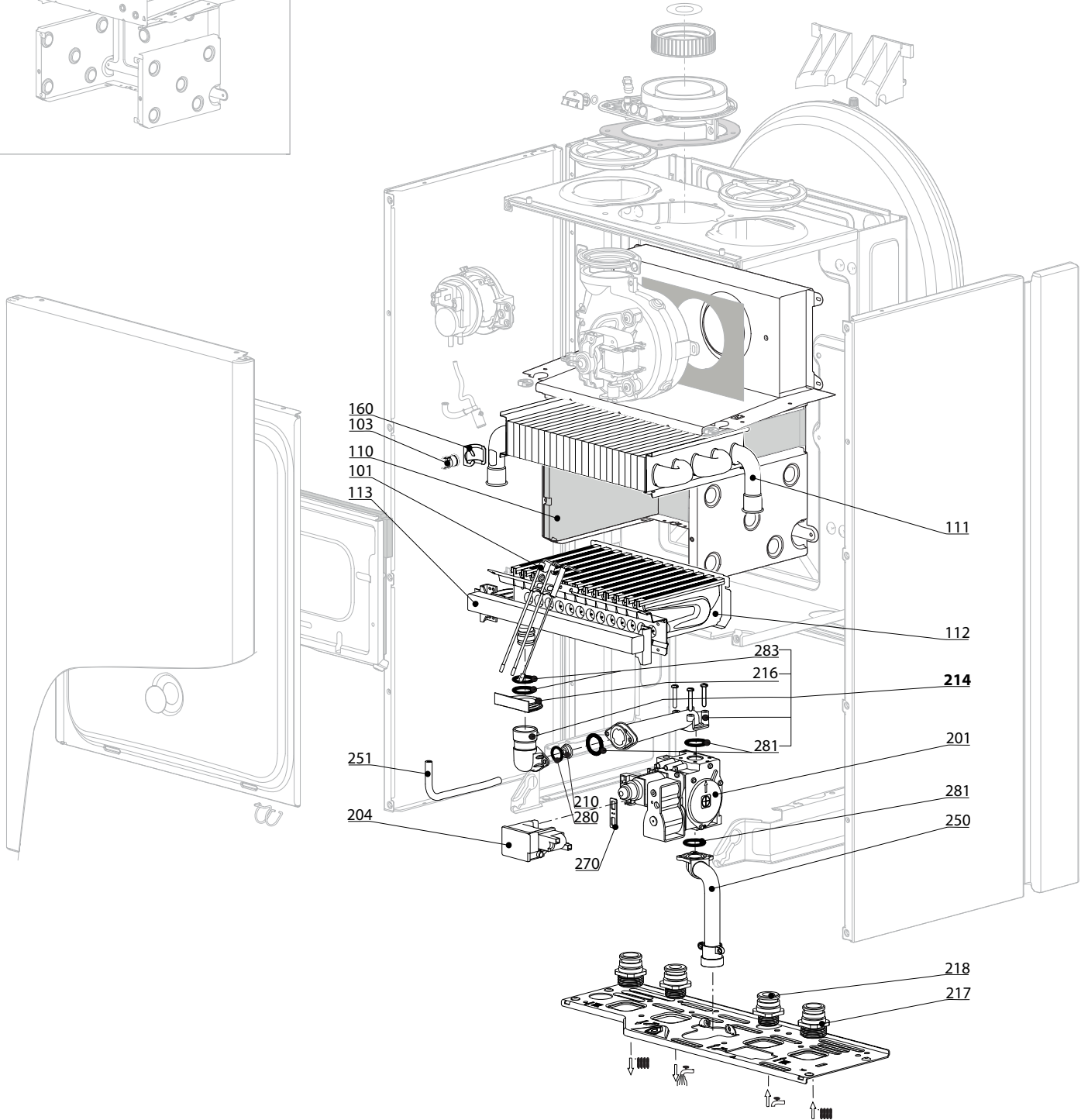
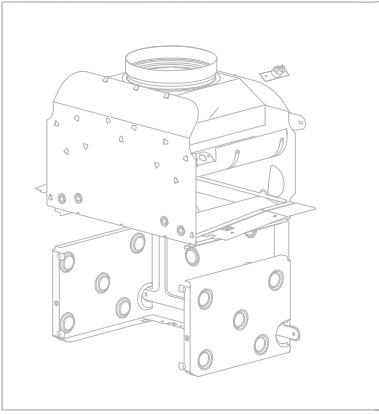
Model

PIGMA - ALIXIA

R8203256-08 - 18/09/2019

1	3650263	PIGMA 25 CF N IT-PI	11-2007	10-2009
1	3650309	PIGMA 25 CF N EAA2	05-2008	12-2009
1	3650224	PIGMA 25 CF N EAA	04-2008	12-2009
1	3650264	PIGMA 25 CF B/P IT-PI	11-2007	08-2009
1	3310053	PIGMA 25 CF NG	09-2009	05-2013
1	3310054	PIGMA 25 CF LPG	10-2009	05-2011
2	3650265	PIGMA 25 FF N IT-PI	11-2007	10-2009
2	3650310	PIGMA 25 FF N EAA2	05-2008	12-2009
2	3650225	PIGMA 25 FF N EAA	04-2008	12-2009
2	3310051	PIGMA 25 FF NG	09-2009	05-2013
2	3650266	PIGMA 25 FF B/P IT-PI	11-2007	10-2009
2	3310056	PIGMA 25 FF LPG	10-2009	05-2013
3	3650267	PIGMA 30 FF N IT-PI	11-2007	10-2009
3	3650311	PIGMA 30 FF N EAA2	05-2008	12-2009
3	3650226	PIGMA 30 FF N EAA	04-2008	12-2009
3	3310052	PIGMA 30 FF NG	10-2009	05-2013
3	3650342	PIGMA 30 FF B/P IT-PI	04-2009	10-2009
3	3310058	PIGMA 30 FF LPG	10-2009	05-2011
4	3650301	ALIXIA 20 CF N TU	04-2008	10-2014
5	3650227	ALIXIA 24 CF N IT-PI	10-2007	10-2009
5	3650338	ALIXIA 24 CF N EE	10-2008	12-2009
5	3310060	ALIXIA 24 CF NG	10-2009	10-2014
5	3650228	ALIXIA 24 CF B/P IT-PI	10-2007	12-2009
5	3310062	ALIXIA 24 CF LPG	10-2009	10-2014
6	3310258	ALIXIA 18 FF NG	05-2013	10-2014
7	3650300	ALIXIA 20 FF N TU	04-2008	10-2014
8	3650229	ALIXIA 24 FF N IT-PI	10-2007	12-2009
8	3650286	ALIXIA 24 FF NG EAA	03-2008	12-2009
8	3650337	ALIXIA 24 FF N EE	10-2008	12-2009
8	3650346	ALIXIA 24 FF NG (GR)	05-2009	10-2009
8	3310059	ALIXIA 24 FF NG	10-2009	10-2014
9	3650230	ALIXIA 24 FF B/P IT-PI	10-2007	12-2009
9	3310061	ALIXIA 24 FF LPG	10-2009	10-2014
10	3310169	ALIXIA SIMPLE 18 CF	11-2011	10-2014
11	3310304	ALIXIA SIMPLE 24 CF	11-2011	10-2014
12	3310170	ALIXIA SIMPLE 18 FF	09-2011	10-2014
13	3310305	ALIXIA SIMPLE 24 FF	11-2011	10-2014

Col	Reference	Model type	Begin	End
-----	-----------	------------	-------	-----

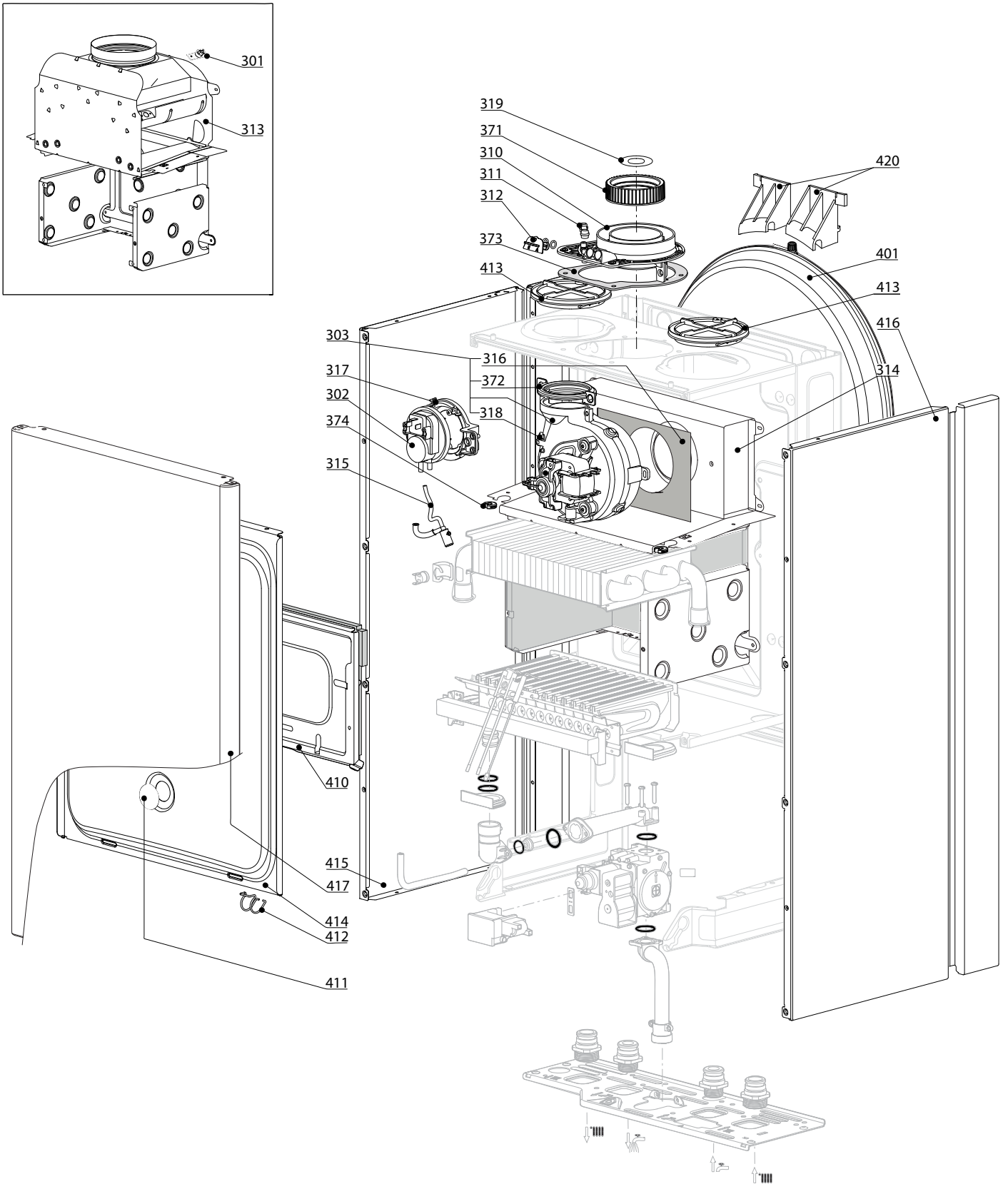



☉⇒	Description	Manf. Pt. N	Type																			From	to
				1	2	3	4	5	6	7	8	9	10	11	12	13	14	15	16	17	18		
0100	BURNER ASSEMBLY																						
0101	ELECTRODE (IGNITION/IONIZATION)	65115802		●	●	●	●	●	●	●	●	●	●	●	●	●	●	●	●				
0103	THERMOSTAT 102°C	65104500		●	●	●	●	●	●	●	●	●	●	●	●	●	●	●	●				
0110	PANELS (KIT)	65104695		●																	02/08		
	PANELS (KIT)	65104695		●	●	●	●																
	PANELS (KIT)	65106298		●	●			●	●	●	●	●	●	●	●	●	●	●	●		03/08		
0111	HEAT EXCHANGER (Cu)	65104246		●	●	●															02/08		
	HEAT EXCHANGER (Cu)	65104247		●		●	●							●	●								
	HEAT EXCHANGER (Cu)	65106297		●	●	●		●	●	●	●	●	●	●	●	●	●	●	●		03/08		
	HEAT EXCHANGER (KIT) Cu 24	65113395												●							03/08		
0112	BURNER 11NP	65106294		●	●			●	●	●	●	●	●	●	●	●	●	●	●		03/08		
	BURNER 13NP	60001582		●		●	●							●	●								
	BURNER 13NP	65104220		●	●									●	●						02/08		
	BURNER 13NP	65104220				●																	
0113	GAS MANIFOLD 11 INJ. D:0.80	65106605	B/P	●										●							03/08		
	GAS MANIFOLD 11 INJ. D:1.25	60001241	NAT															●					
	GAS MANIFOLD 11 INJ. D:1.32	65106302	NAT	●						●	●	●						●			03/08		
	GAS MANIFOLD 13 INJ. D:0.76	65104223	B/P	●	●									●							02/08		
	GAS MANIFOLD 13 INJ. D:0.76	65104223	B/P	●			●																
	GAS MANIFOLD 13 INJ. D:0.80	65104225	B/P			●																	
	GAS MANIFOLD 13 INJ. D:1.25	65104302	NAT	●	●									●							02/08		
	GAS MANIFOLD 13 INJ. D:1.25	65104302	NAT	●			●	●							●	●							
	GAS MANIFOLD 13 INJ. D:1.32	65104226	NAT			●																	
0160	CLIP	61010050		●	●	●	●	●	●	●	●	●	●	●	●	●	●	●	●				
0200	GAS SECTION																						
0201	GAS VALVE	65104254		●	●	●	●	●	●	●	●	●	●	●	●	●	●	●	●				
0204	SPARK GENERATOR	65104653		●	●	●	●	●	●	●	●	●	●	●	●	●	●	●	●				
0210	GAS RESTRICTOR D: 6.3	60000018	NAT				●																
	GAS RESTRICTOR D: 6.4	60000501	NAT								●												
0214	PIPE (GAS VALVE/BURNER)	65104230		●	●	●	●	●	●	●	●	●	●	●	●	●	●	●	●				
0216	GROMMET	60000624		●	●	●	●	●	●	●	●	●	●	●	●	●	●	●	●				
0217	UNION (3/4")	65104326		●	●	●	●	●	●	●	●	●	●	●	●	●	●	●	●				
0218	UNION (1/2")	65104327		●	●	●	●	●	●	●	●	●	●	●	●	●	●	●	●				
0250	GAS TUBE	60000720		●	●	●	●	●	●	●	●	●	●	●	●	●	●	●	●				
0251	EPDM PIPE	65104296		●	●	●	●	●	●	●	●	●	●	●	●	●	●	●	●				
0270	GASKET (SPARK GENERATOR)	574279		●	●	●	●	●	●	●	●	●	●	●	●	●	●	●	●				
0280	O-RING 14X2	60000903	NAT				●				●												
0281	O-RING 22.22X2.62	65104304		●	●	●	●	●	●	●	●	●	●	●	●	●	●	●	●				
0283	O-RING 17.17X1.78	65104303		●	●	●	●	●	●	●	●	●	●	●	●	●	●	●	●				

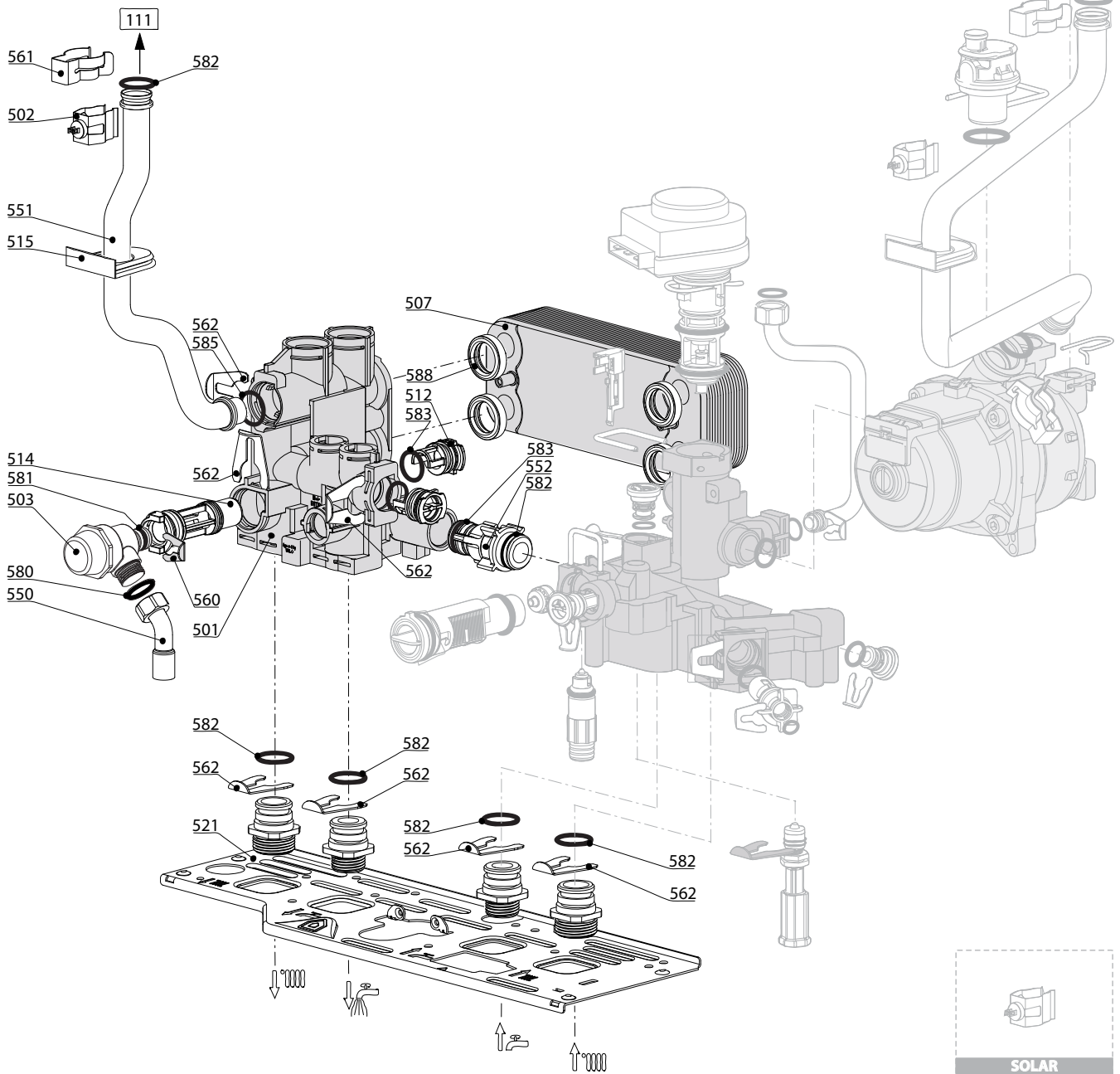
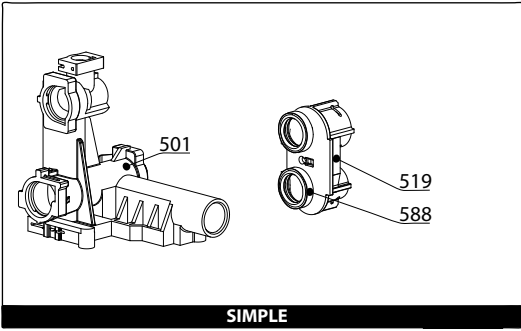
300
400

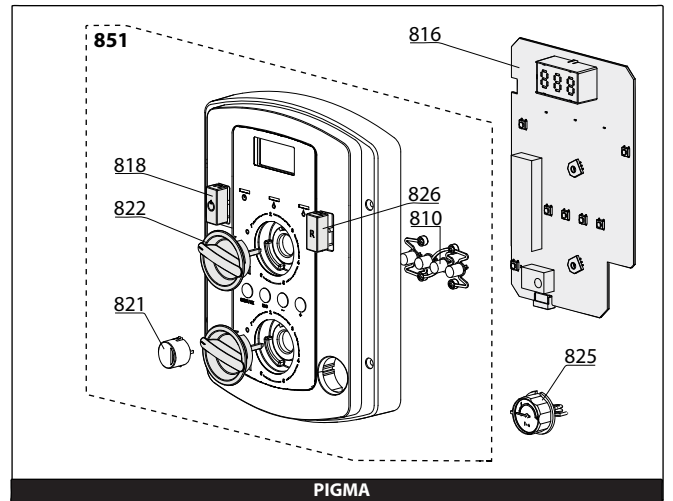
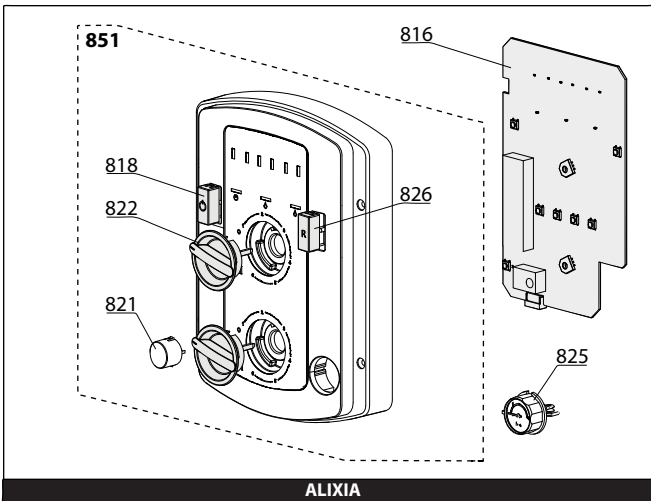
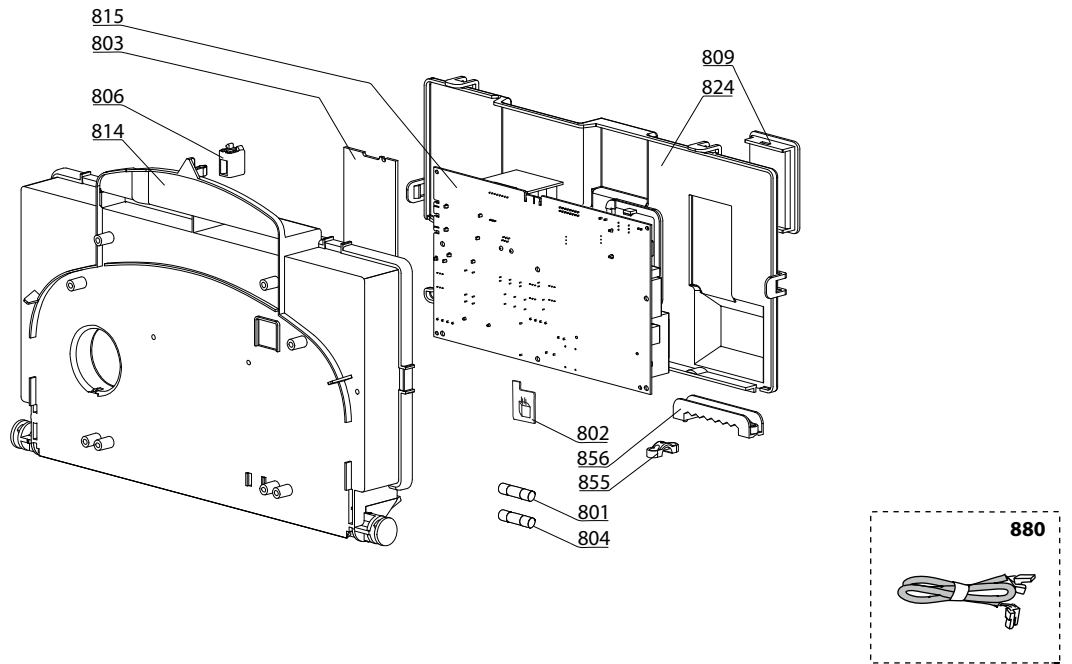
PIGMA - ALIXIA

Gas-wall boiler atm. burner

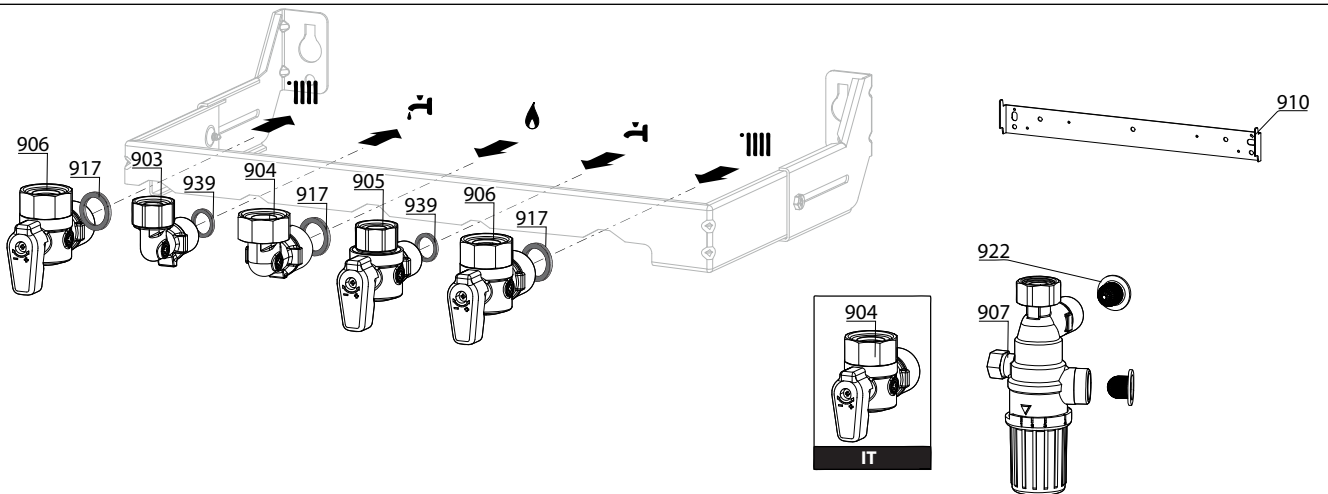


Description	Manf. Pt. N	Type																			From	to
			1	2	3	4	5	6	7	8	9	10	11	12	13	14	15	16	17	18		
0300 FAN ASSEMBLY																						
0301 THERMOSTAT 75-65°C	999539		●			●	●						●	●								
0302 AIR PRESSURE SWITCH 40 Pa	65102164-01													●								
AIR PRESSURE SWITCH 50 Pa	65104671-01			●				●	●	●	●				●							
AIR PRESSURE SWITCH 74 Pa	65104672-01				●																	
0303 FAN	65104357			●				●	●	●	●				●							
FAN	65104452				●																	
FAN	65106051														●							
0310 FLUE (EXHAUST MANIFOLD/HEADER)	65105393			●	●			●	●	●	●			●	●							
0311 AIR INTAKE COVER	573329			●	●			●	●	●	●			●	●							
0312 FLUE TEST PORT PLUG	65104295			●	●			●	●	●	●			●	●							
0313 COMBUSTION CHAMBER 24 CF	65104218		●			●	●					●	●									
0314 COMBUSTION CHAMBER 24/28 FF	65104219			●							●	●									02/08	
COMBUSTION CHAMBER 24/28 FF	65104219				●																	
COMBUSTION CHAMBER 24/28 FF	65106295			●				●	●	●	●			●	●					03/08		
0315 CONDENSATE TRAP	65104623			●	●			●	●	●	●			●	●							
0316 PANEL (INSULATION - FAN)	65104305			●	●			●	●	●	●			●	●							
0317 SUPPORT (AIR PRESSURE SWITCH)	65104378			●	●			●	●	●	●			●	●							
0318 VENTURI 15/24FF	65106516			●				●	●	●	●			●	●							
VENTURI 28/30FF	65106515				●																	
0319 RESTRICTOR KIT	60001598			●	●			●		●	●			●	●							
0371 COLLAR GASKET	65104258			●	●			●	●	●	●			●	●							
0372 FAN GASKET	65104257			●	●			●	●	●	●			●	●							
0373 GASKET	60000317			●	●			●	●	●	●			●	●							
0374 CABLE INLET RUBBER WASHER	60000716		●	●	●	●	●	●	●	●	●			●	●	●	●	●	●			
0400 SEALED CASE																						
0401 EXPANSION VESSEL 8L	65104261		●	●	●	●	●	●	●	●	●			●	●	●	●	●	●			
0410 PANEL (COMBUSTION CHAMBER)	65104240			●						●	●										02/08	
PANEL (COMBUSTION CHAMBER)	65104240		●		●	●	●					●	●									
PANEL (COMBUSTION CHAMBER)	65106296			●				●	●	●	●			●	●					03/08		
0411 SIGHT GLASS	65104232			●	●			●	●	●	●			●	●							
0412 SPRING FRONT PANEL (KIT)	65104298			●	●			●	●	●	●			●	●						05/09	
SPRING FRONT PANEL (KIT)	65107048			●	●			●	●	●	●			●	●							
SPRING FRONT PANEL (KIT)	65107048			●	●			●	●	●	●			●	●					06/09		
0413 AIR RETURN COVER	65104249			●	●			●	●	●	●			●	●							
0414 PANEL (FRONT - SEALED CHAMBER)	65105678-02			●	●			●	●	●	●			●	●							
0415 CASE PANEL (L.H. SIDE)	65105676		●	●	●	●	●	●	●	●	●			●	●	●	●	●	●			
0416 CASE PANEL (R.H. SIDE)	65105677		●	●	●	●	●	●	●	●	●			●	●	●	●	●	●			
0417 CASE PANEL (FRONT)	60000983		●	●	●	●	●	●	●	●	●			●	●	●	●	●	●			
0420 EXPANSION VESSEL SUPPORT	65104696		●	●	●	●	●	●	●	●	●			●	●	●	●	●	●			





900



5000

<p>5001</p> <p>Transf. gaz > GPL Conv. gas > GPL Trasf. gas > GPL Transf. gas > GPL</p>	<p>5002</p> <p>Transf. gaz > Nat Conv. gas > Nat Trasf. gas > Met Transf. gas > Met</p>	<p>5020</p> <p>Options Accessories Opzioni Accessorio</p>
--	--	--

LIST OF THE ABBREVIATIONS

HW	: Hot water.
CW	: Cold water.
C	: Ceramic resistance (normal heating).
Ca	: Ceramic resistance (accelerated heating)
TP	: Immersion heater.
1F	: With fittings.
2F	: Without fittings.
3F	: With fittings and another outlet connection.
AMI	: With mixing valve.
SMI	: Without mixing valve.
PUISS	: Power of th appliance.
PN	: Appliance with normal pression.
LP	: Appliance with low pression.
PV	: Appliance with variable power.
PF	: Appliance with fixed power.

IDENTIFICATION PLATE

SERIAL NUMBER

10 Characters :	04 05 125 011	Sequential number Manufacturing day Year of manufacture
11 Characters :	1 95 065004 - 31	Technical number of the appliance Sequential number Year of manufacture
Month of manufacture : from 1 to 9 → Jan. to Sep., O → Oct., N → Nov., D → Dec.		
19 Characters :	08 05 0013199 900640031	Product reference Sequential number
Year of manufacture Month of manufacture		
20 Characters :	3675007 XX 2 07 070 00315	Sequential number Manufacturing day Year of manufacture
Product reference Millenium of manufacture		
21 Characters :	3675007 XX 07 070 0000315	Sequential number Manufacturing day
Product reference Year of manufacture		