



ARISTON

SPARE PARTS EXPLODED VIEW STORAGE ELECTRIC WATER HEATERS

Model

ABS PLT PLUS PW

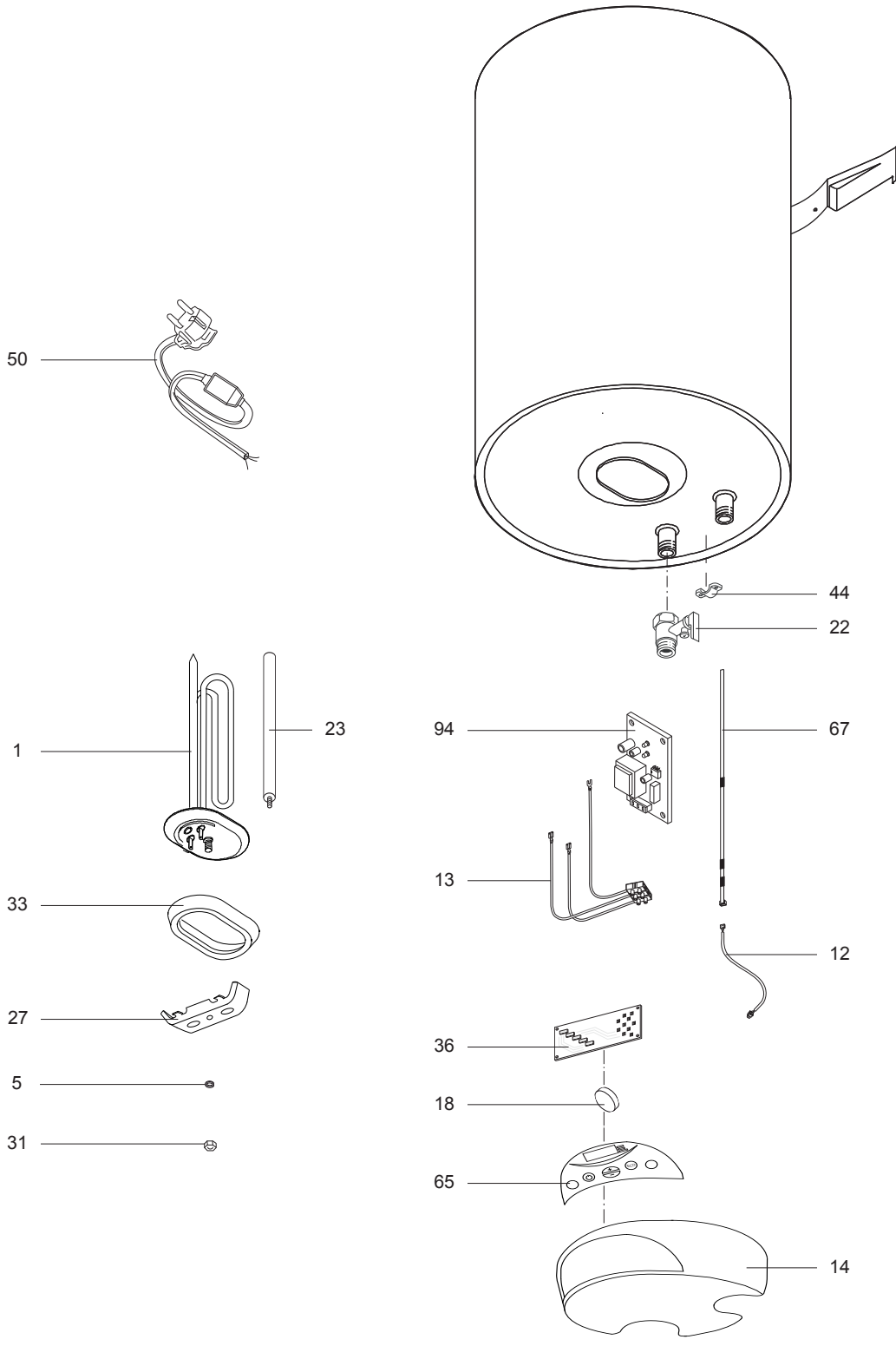
R8216313-06 - 28/08/2014

ABS PLT PLUS PW

Storage Electric Water Heaters

1	3700194	ABS PLT PLUS PW 50 V	02-2009	05-2010
2	3700195	ABS PLT PLUS PW 80 V	02-2009	05-2010
3	3700196	ABS PLT PLUS PW 100 V	02-2009	05-2010

Col	Reference	Model type	Begin	End
-----	-----------	------------	-------	-----



☉⇒	Description	Manf. Pt. N	Type	<div style="display: flex; justify-content: space-between; align-items: center;"> <div style="transform: rotate(-45deg); font-size: small;"> ABS PLT PLUS PW 50 V ABS PLT PLUS PW 80 V ABS PLT PLUS PW 100 V </div> <div style="border: 1px solid black; padding: 2px;">31</div> </div>																		From	to
				1	2	3	4	5	6	7	8	9	10	11	12	13	14	15	16	17	18		
0001	НАГРЕВАТЕЛЬНЫЙ ЭЛЕМЕНТ 1000+1500W 230V	65150870		•	•	•																	
0005	ШАЙБА М8	65107147		•	•	•																	
0012	КАБЕЛЬ ДАТЧИКА ТЕМПЕРАТУРЫ	65102590		•	•	•																	
0013	КАБЕЛЬ (НАГР. ЭЛЕМЕНТ/ОСНОВНАЯ ПЛАТА)	65108285		•	•	•															08/10		
0014	КАБЕЛЬ (НАГР. ЭЛЕМЕНТ/ОСНОВНАЯ ПЛАТА)	65111032		•	•	•														09/10			
0018	КРЫШКА ПЛАСТИКОВАЯ	65150968		•	•	•																	
0018	РУЧКА РЕГУЛИРОВАНИЯ	65150963		•	•	•																	
0022	ПРЕДОХРАНИТЕЛЬНЫЙ КЛАПАН (1/2" 7 БАР)	65109003		•	•	•																	
0023	МАГНИЕВЫЙ АНОД D:16 L:150 M5	65103326		•	•	•																	
0027	СКОБА ФЛАНЦА	65180024		•	•	•															12/08		
0031	СКОБА ФЛАНЦА	65180039		•	•	•														01/09			
0031	ГАЙКА М8	570127		•	•	•																	
0033	ПРОКЛАДКА ФЛАНЦА	570177		•	•	•																	
0036	ПЛАТА ДИСПЛЕЯ	65150964		•	•	•																	
0044	ЗАЖИМ ДЛЯ КАБЕЛЯ	573266		•	•	•																	
0050	КАБЕЛЬ ПИТАНИЯ С УЗО	65150965		•	•	•																	
0065	ПАНЕЛЬ УПРАВЛЕНИЯ	65150961		•	•	•																	
0067	ДАТЧИК ТЕМПЕРАТУРЫ	65102543		•	•	•																	
0094	ОСНОВНАЯ ПЛАТА	65180047		•	•	•																	

LIST OF THE ABBREVIATIONS

HW	: Hot water.
CW	: Cold water.
C	: Ceramic resistance (normal heating).
Ca	: Ceramic resistance (accelerated heating)
TP	: Immersion heater.
1F	: With fittings.
2F	: Without fittings.
3F	: With fittings and another outlet connection.
AMI	: With mixing valve.
SMI	: Without mixing valve.
PUISS	: Power of th appliance.
PN	: Appliance with normal pression.
LP	: Appliance with low pression.
PV	: Appliance with variable power.
PF	: Appliance with fixed power.

IDENTIFICATION PLATE

SERIAL NUMBER

6 Characters :
 Year of manufacture 03 09 08 Manufacturing day
 Month of manufacture

9 Characters :
 Year of manufacture M 12 10 0606 Sequential number
 Month of manufacture

14 Characters :
 SI-V-0B0 45 07 0001
 Sequential number
 Year of manufacture : 6 → 2004
 Month of manufacture : → 25 → January 43 → July 7 → 2005
 13 → February 29 → August 8 → 2006
 32 → March 40 → September etc ...
 35 → April 38 → October
 39 → May 51 → November
 45 → June 12 → December

15 Characters :
 Year of manufacture 02 11 00001 007843 Code appareil
 Month of manufacture Sequential number

21 Characters :
 Product reference 3200050 XX 08115 0000001 Sequential number
 Year (08) / Manufacturing day (115)

22 Characters :
 Product reference 3200050 XX 070115 0000001 Sequential number
 Year (07) / Month (01) / Manufacturing day (15)