



ARISTON

# SPARE PARTS EXPLODED VIEW STORAGE ELECTRIC WATER HEATERS

Model

## TI TRONIC POWER V

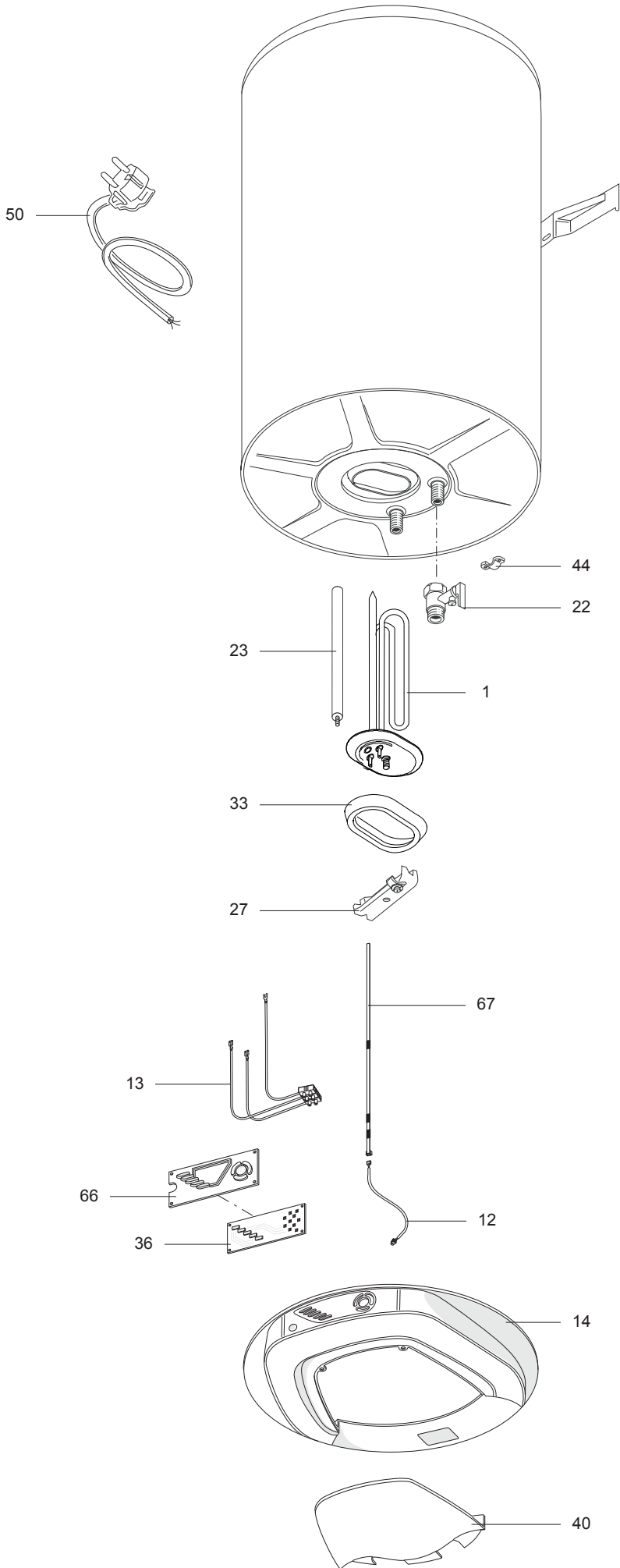
R8215965-07 - 28/08/2014

TI TRONIC PW V

Storage Electric Water Heaters

1	3704019	TI TRONIC PW 30 V SLIM	10-2007	12-2007
2	3700087	TI TRONIC PW 40 V SLIM	10-2007	12-2007
3	3700084	TI TRONIC PW 50 V	02-2007	11-2012
4	3700088	TI TRONIC PW 50 V SLIM	10-2007	12-2007
5	3700089	TI TRONIC PW 65 V SLIM	10-2007	12-2007
6	3700085	TI TRONIC PW 80 V	02-2007	11-2012
7	3700090	TI TRONIC PW 80 V SLIM	10-2007	12-2007
8	3700086	TI TRONIC PW 100 V	02-2007	11-2012

Col	Reference	Model type	Begin	End
-----	-----------	------------	-------	-----





## LIST OF THE ABBREVIATIONS

HW .....	: Hot water.
CW .....	: Cold water.
C .....	: Ceramic resistance (normal heating).
Ca .....	: Ceramic resistance (accelerated heating)
TP .....	: Immersion heater.
1F .....	: With fittings.
2F .....	: Without fittings.
3F .....	: With fittings and another outlet connection.
AMI .....	: With mixing valve.
SMI .....	: Without mixing valve.
PUISS .....	: Power of th appliance.
PN .....	: Appliance with normal pression.
LP .....	: Appliance with low pression.
PV .....	: Appliance with variable power.
PF .....	: Appliance with fixed power.

## IDENTIFICATION PLATE

### SERIAL NUMBER

**6 Characters :**  
 Year of manufacture 03 09 08 Manufacturing day  
 Month of manufacture

**9 Characters :**  
 Year of manufacture M 12 10 0606 Sequential number  
 Month of manufacture

**14 Characters :**  
 SI-V-0B0 45 07 0001  
 Sequential number  
 Year of manufacture : 6 → 2004  
 Month of manufacture : → 25 → January 43 → July 7 → 2005  
 13 → February 29 → August 8 → 2006  
 32 → March 40 → September etc ...  
 35 → April 38 → October  
 39 → May 51 → November  
 45 → June 12 → December

**15 Characters :**  
 Year of manufacture 02 11 00001 007843 Code appareil  
 Month of manufacture Sequential number

**21 Characters :**  
 Product reference 3200050 XX 08115 0000001  
 Sequential number  
 Year (08) / Manufacturing day (115)

**22 Characters :**  
 Product reference 3200050 XX 070115 0000001  
 Sequential number  
 Year (07) / Month (01) / Manufacturing day (15)