

SPARE PARTS EXPLODED VIEW
STORAGE ELECTRIC WATER HEATERS

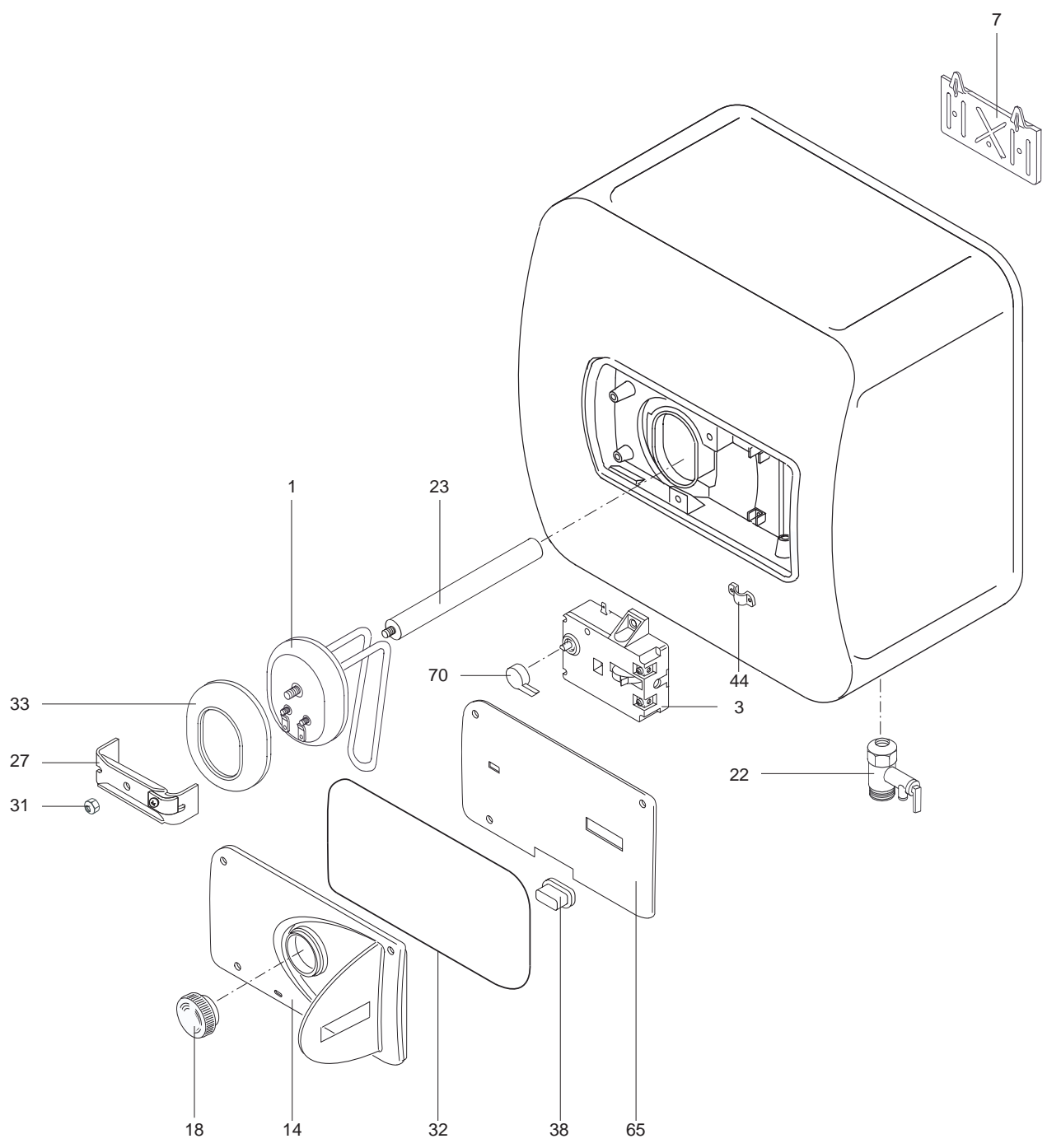
Model

TI EE

R8215210-01EN - Edition 01 - 27/07/2005



868 337		TI 10 OR EE
868 338		TI 10 UR EE
868 339		TI 15 OR EE
868 340		TI 15 UR EE
868 341		TI 30 OR EE
Reference	Ind.	Model type	Begin	End





LIST OF THE ABBREVIATIONS

HW	: Hot water.
CW	: Cold water.
C	: Ceramic resistance (normal heating).
Ca	: Ceramic resistance (accelerated heating)
TP	: Immersion heater.
1F	: With fittings.
2F	: Without fittings.
3F	: With fittings and another outlet connection.
AMI	: With mixing valve.
SMI	: Without mixing valve.
PUISS	: Power of th appliance.
PN	: Appliance with normal pression.
LP	: Appliance with low pression.
PV	: Appliance with variable power.
PF	: Appliance with fixed power..

IDENTIFICATION PLATE

SERIAL NUMBER

Ex: 03 09 08

Manufacturing day
 Month of manufacture : from 1 to 12 → January to December
 Year of manufacture

Ex: 02 11 00001 007843

OR

Product reference
 Sequential number
 Month of manufacture : from 1 to 12 → January to December
 Year of manufacture

The indications mentioned on the prices, commercial or technical literature and the scheme are written for your guidance and are available at a given time. The CONSTRUCTOR retains the power to modify the presentation, the form, the size, the conception or the material of the products.