



ARISTON

SPARE PARTS EXPLODED VIEW STORAGE ELECTRIC WATER HEATERS

Model

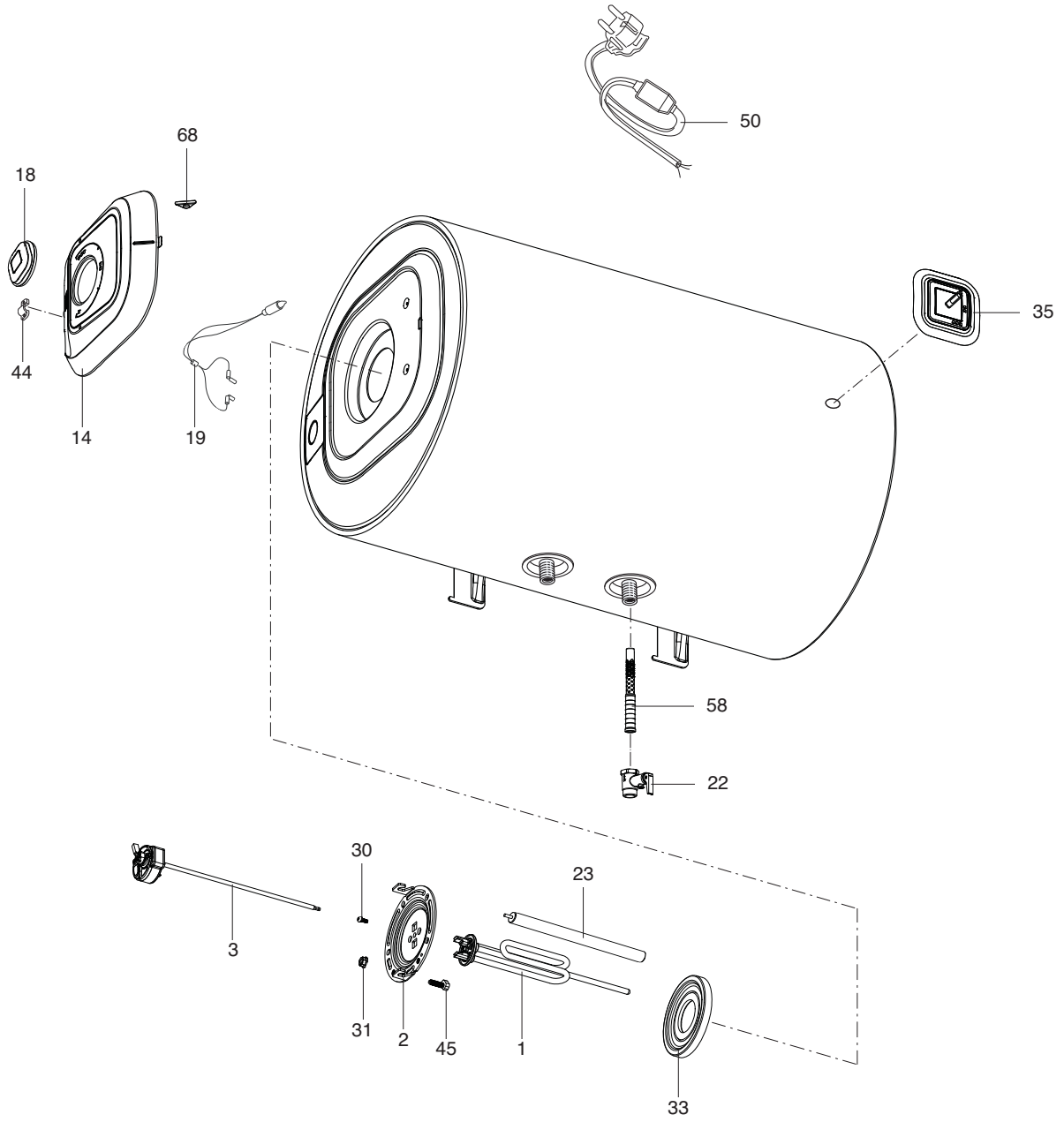
PRO1/BLU1 H

R8218023-03 - 09/07/2018

PRO1/BLU1 H

Storage Electric Water Heaters

1	3201830	PRO1 R 50 H	05-2018	-
2	3201831	PRO1 R 80 H	05-2018	-
3	3700565	PRO1 R ABS 80 H	06-2018	-
4	3201813	PRO1 R 80 H 2K	07-2018	-
5	3201424	BLU1 R 80 H 2K	07-2018	-
6	3201832	PRO1 R 100 H	05-2018	-
Col	Reference	Model type	Begin	End



☉⇒	Description	Manf. Pt. N	Type	<div style="display: flex; justify-content: space-between; align-items: center;"> <div style="transform: rotate(-45deg); font-size: small;"> PRO1 R 80 H PRO1 R 80 H PRO1 R ABS 80 H PRO1 R 80 H 2K BLU R 80 H 2K PRO1 R 100 H </div> <div style="border: 1px solid black; padding: 2px;">31</div> </div>																		From	to
				1	2	3	4	5	6	7	8	9	10	11	12	13	14	15	16	17	18		
0001	НАГРЕВАТЕЛЬНЫЙ ЭЛЕМЕНТ 1200W 220-240V	65112455		●																			
	НАГРЕВАТЕЛЬНЫЙ ЭЛЕМЕНТ 1500W 228V	65111871			●	●				●													
	НАГРЕВАТЕЛЬНЫЙ ЭЛЕМЕНТ 2000W 220-240V	65112766								●	●												
0002	ФЛАНЕЦ НА 5 БОЛТАХ	65111789		●	●	●	●	●	●														
0003	ТЕРМОСТАТ	65117589		●	●	●	●	●	●														
0014	КРЫШКА ПЛАСТИКОВАЯ	65117460		●	●	●	●	●	●														
	КРЫШКА ПЛАСТИКОВАЯ	65180163								●													
0018	РУЧКА РЕГУЛИРОВКИ	65117463		●	●	●	●	●	●														
	РУЧКА РЕГУЛИРОВКИ	65180164								●													
0019	ИНДИКАТОРНАЯ ЛАМПА	993025		●	●	●	●	●	●														
0022	ПРЕДОХРАНИТЕЛЬНЫЙ КЛАПАН (1/2" 8,5 БАР)	571730		●	●	●	●	●	●														
0023	МАГНИЕВЫЙ АНОД D:25,5 L:135,5 M5-M8	919004-01		●																			
	МАГНИЕВЫЙ АНОД D:25,5 L:230 M5-M8	993014-01			●	●	●	●	●														
0030	ВИНТ М6Х12	993000		●	●	●	●	●	●														
0031	ГАЙКА М6	994140		●	●	●	●	●	●														
0033	ПРОКЛАДКА ФЛАНЦА	65111788		●	●	●	●	●	●														
0035	ТЕРМОМЕТР	65117459		●	●	●	●	●	●														
	ТЕРМОМЕТР	65117950								●													
0044	ЗАЖИМ ДЛЯ КАБЕЛЯ	573266								●													
0045	ВИНТ М6Х20	65151225-FA		●	●	●	●	●	●														
0050	КАБЕЛЬ ПИТАНИЯ С УЗО (10А 1,0м)	65150868								●													
0058	РАССЕКATEЛЬ ВОДЫ (1/2" Н=37)	65113699		●	●	●	●	●	●														
0068	КРЫШКА ИНДИКАТОРНОЙ ЛАМПЫ	65117461		●	●		●	●	●														

LIST OF THE ABBREVIATIONS

HW	: Hot water.
CW	: Cold water.
C	: Ceramic resistance (normal heating).
Ca	: Ceramic resistance (accelerated heating)
TP	: Immersion heater.
1F	: With fittings.
2F	: Without fittings.
3F	: With fittings and another outlet connection.
AMI	: With mixing valve.
SMI	: Without mixing valve.
PUISS	: Power of th appliance.
PN	: Appliance with normal pression.
LP	: Appliance with low pression.
PV	: Appliance with variable power.
PF	: Appliance with fixed power.

IDENTIFICATION PLATE

SERIAL NUMBER

6 Characters :
 Year of manufacture 03 09 08 Manufacturing day
 Month of manufacture

9 Characters :
 Year of manufacture M 12 10 0606 Sequential number
 Month of manufacture

14 Characters :

SI-V-0B0 45 07 0001
 Sequential number
 Year of manufacture : → 6 → 2004
 Month of manufacture : → 25 → January 43 → July 7 → 2005
 13 → February 29 → August 8 → 2006
 32 → March 40 → September etc ...
 35 → April 38 → October
 39 → May 51 → November
 45 → June 12 → December

15 Characters :
 Year of manufacture 02 11 00001 007843 Code appareil
 Month of manufacture Sequential number

21 Characters :
3200050 XX 08115 0000001 Sequential number
 Product reference Year (08) / Manufacturing day (115)

22 Characters :
3200050 XX 070115 0000001 Sequential number
 Product reference Year (07) / Month (01) / Manufacturing day (15)