

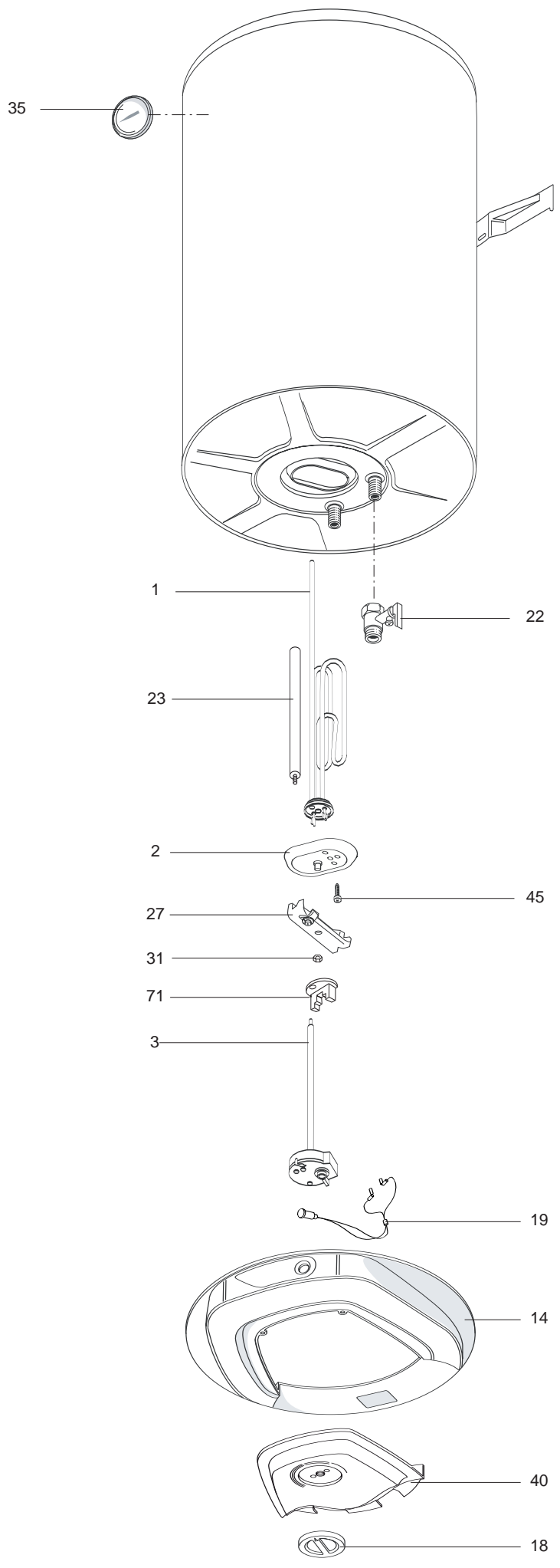
SPARE PARTS EXPLODED VIEW  
STORAGE ELECTRIC WATER HEATERS

Model

**TI TRONIC 2K SLIM**

R8216196-02EN - Edition 02 - 22/01/2009

370 0051		TI TRONIC 30 V 2K SLIM	...	...
370 0052		TI TRONIC 50 V 2K SLIM	...	...
370 0053		TI TRONIC 65 V 2K SLIM	...	...
370 0054		TI TRONIC 80 V 2K SLIM	...	...
Reference	Ind.	Model type	Begin	End





## LIST OF THE ABBREVIATIONS

HW .....	: Hot water.
CW .....	: Cold water.
C .....	: Ceramic resistance (normal heating).
Ca .....	: Ceramic resistance (accelerated heating)
TP .....	: Immersion heater.
1F .....	: With fittings.
2F .....	: Without fittings.
3F .....	: With fittings and another outlet connection.
AMI .....	: With mixing valve.
SMI .....	: Without mixing valve.
PUISS .....	: Power of th appliance.
PN .....	: Appliance with normal pression.
LP .....	: Appliance with low pression.
PV .....	: Appliance with variable power.
PF .....	: Appliance with fixed power..

## IDENTIFICATION PLATE

### SERIAL NUMBER

Ex: 03 09 08 (Until 12/06)

OR

Ex: 02 11 00001 007843

Ex: 3200050 XX 070115 0000001 (From 01/07)

The indications mentioned on the prices, commercial or technical literature and the scheme are written for your guidance and are available at a given time. The CONSTRUCTOR retains the power to modify the presentation, the form, the size, the conception or the material of the products.