



ARISTON

SPARE PARTS EXPLODED VIEW STORAGE ELECTRIC WATER HEATERS

Model

TI TRONIC H

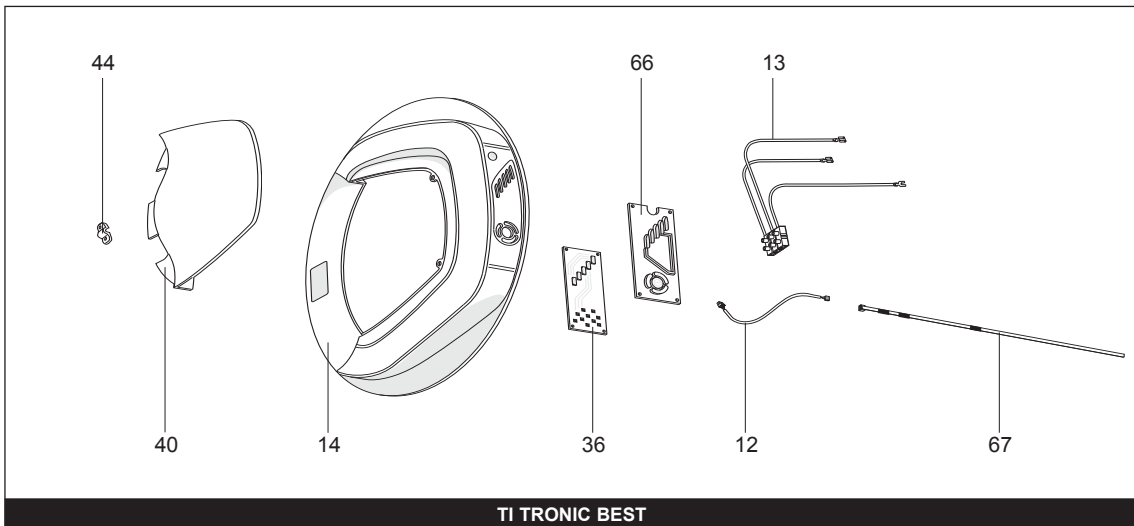
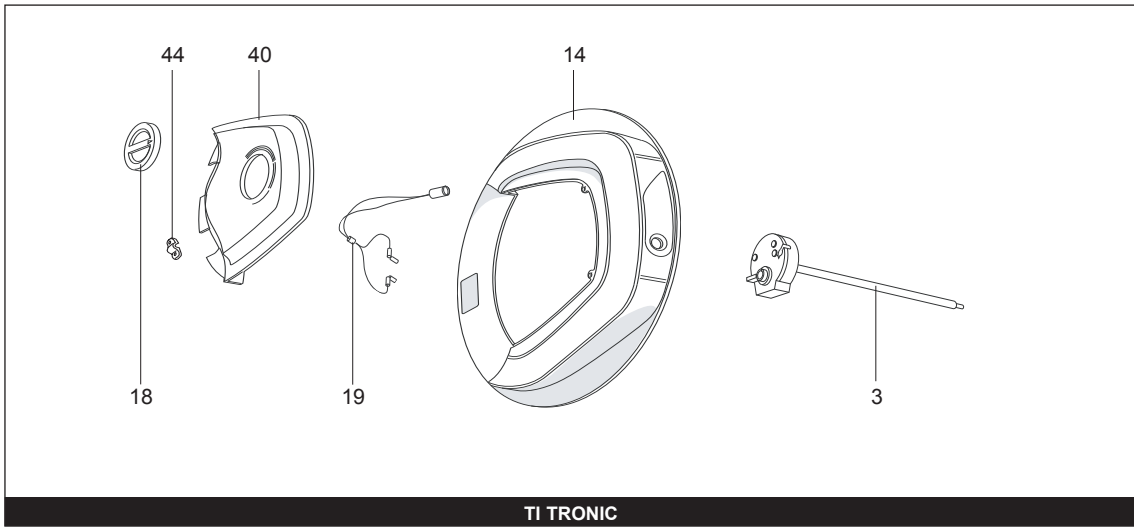
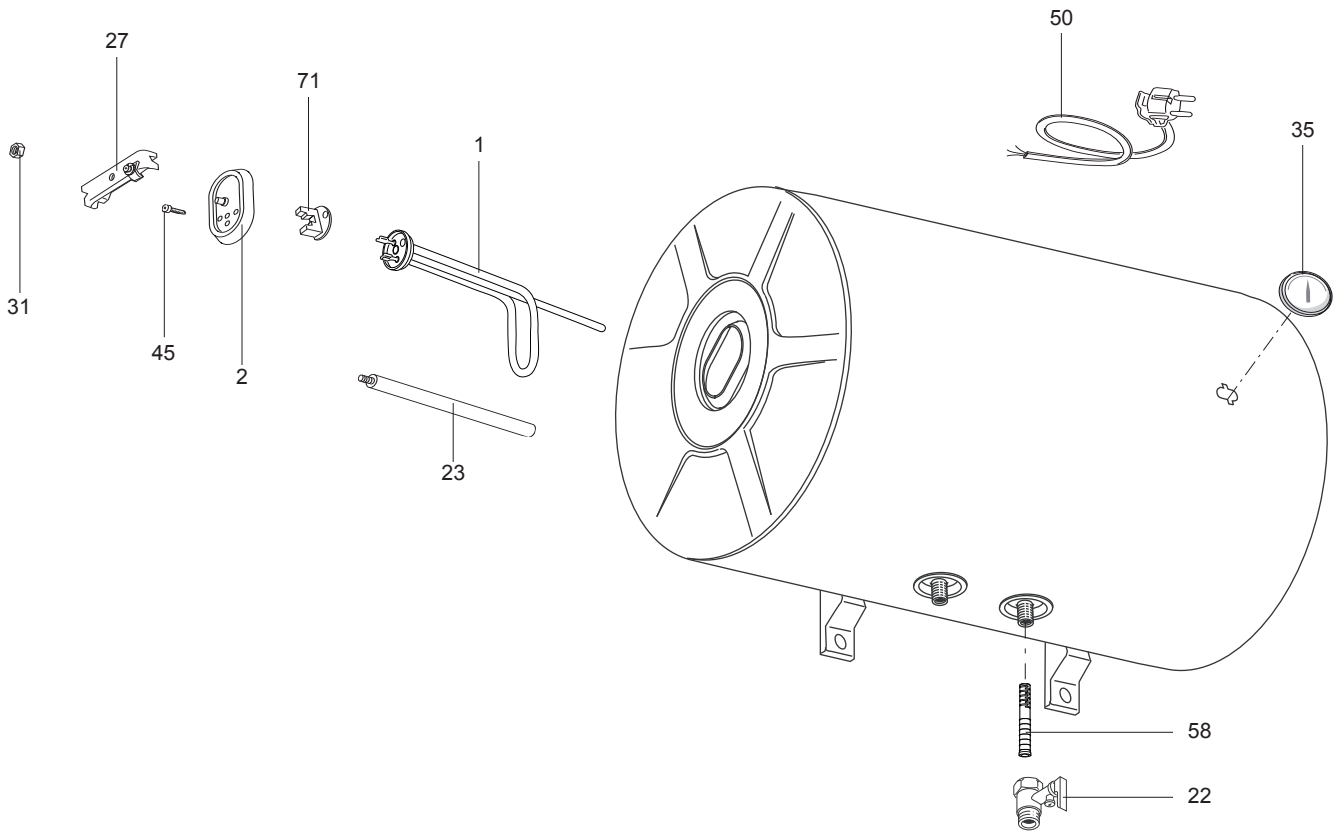
R8215214-07 - 30/01/2014

TI TRONIC H

Storage Electric Water Heaters

1	3700083	TI TRONIC 30 H SLIM	03-2005	01-2008
1	3700069	TI TRONIC 40 H SLIM	03-2005	01-2008
2	3200059	TI TRONIC 50 H	10-2005	03-2010
3	3700070	TI TRONIC 50 H SLIM	03-2005	01-2008
3	3700079	TI TRONIC 65 H SLIM	03-2005	01-2008
4	3200060	TI TRONIC 80 H	11-2004	03-2010
5	3700025	TI TRONIC 80 H	03-2005	01-2008
6	3200293	TI TRONIC 80 HR/5	02-2007	05-2010
7	3200061	TI TRONIC 100 H	11-2004	03-2010
8	3700026	TI TRONIC 100 H	03-2005	01-2008
9	3200072	TI TRONIC 100 H D	12-2004	12-2009
10	3200053	TI TRONIC 80 H BEST	06-2004	11-2009
11	3700033	TI TRONIC 80 H BEST	05-2006	08-2007
12	3200232	TI TRONIC BEST 80 HR/5	01-2006	11-2009
13	3200054	TI TRONIC 100 H BEST	06-2004	11-2009
14	3700034	TI TRONIC 100 H BEST	05-2006	08-2007

Col	Reference	Model type	Begin	End
-----	-----------	------------	-------	-----



	Description	Manf. Pt. N	Type	<table border="1" style="border-collapse: collapse; width: 100%; text-align: center;"> <tr> <td style="width: 10%;"></td> <td style="width: 10%;"></td> <td style="width: 10%;"></td> <td style="width: 10%;"></td> <td style="width: 10%;"></td> <td style="width: 10%;"></td> <td style="width: 10%;"></td> <td style="width: 10%;"></td> <td style="width: 10%;"></td> <td style="width: 10%;"></td> <td style="width: 10%;"></td> <td style="width: 10%;"></td> <td style="width: 10%;"></td> <td style="width: 10%;"></td> <td style="width: 10%;"></td> <td style="width: 10%;"></td> <td style="width: 10%;"></td> <td style="width: 10%;"></td> <td style="width: 10%;"></td> </tr> <tr> <td>30/40 F SLIM</td> <td>50 H</td> <td>50/68 F SLIM</td> <td>80 H (3700080)</td> <td>80 H (3700025)</td> <td>80 HR/5</td> <td>100 H (3200061)</td> <td>100 H (3700026)</td> <td>100 H D</td> <td>80 H BEST (3200053)</td> <td>BEST (3700033)</td> <td>100 H HR/5</td> <td>100 H BEST (3200054)</td> <td>100 H BEST (3700034)</td> <td colspan="6"></td> </tr> </table>																																					30/40 F SLIM	50 H	50/68 F SLIM	80 H (3700080)	80 H (3700025)	80 HR/5	100 H (3200061)	100 H (3700026)	100 H D	80 H BEST (3200053)	BEST (3700033)	100 H HR/5	100 H BEST (3200054)	100 H BEST (3700034)							31	From	to
30/40 F SLIM	50 H	50/68 F SLIM	80 H (3700080)	80 H (3700025)	80 HR/5	100 H (3200061)	100 H (3700026)	100 H D	80 H BEST (3200053)	BEST (3700033)	100 H HR/5	100 H BEST (3200054)	100 H BEST (3700034)																																																		
0001	НАГРЕВАТЕЛЬНЫЙ ЭЛЕМЕНТ 1200W 220-240V	65100737																																																													
	НАГРЕВАТЕЛЬНЫЙ ЭЛЕМЕНТ 1200W 220-240V	65100745																																																													
	НАГРЕВАТЕЛЬНЫЙ ЭЛЕМЕНТ 1200W 230V	816617																																																													
	НАГРЕВАТЕЛЬНЫЙ ЭЛЕМЕНТ 1500W 220-240V	65100746																																																													
	НАГРЕВАТЕЛЬНЫЙ ЭЛЕМЕНТ 1500W 220-240V	65105267																																																													
	НАГРЕВАТЕЛЬНЫЙ ЭЛЕМЕНТ 1500W 220-240V	65105268																																																													
	НАГРЕВАТЕЛЬНЫЙ ЭЛЕМЕНТ 1500W 230V	816631																																																													
0002	ФЛАНЕЦ С ПРОКЛАДКОЙ	65103691																																																													
	ФЛАНЕЦ С ПРОКЛАДКОЙ	65108275																																																													
0003	ТЕРМОСТАТ	65103325																																																													
	ТЕРМОСТАТ	691217																																																													
0012	КАБЕЛЬ ДАТЧИКА ТЕМПЕРАТУРЫ	65102590-RU																																																													
0013	КАБЕЛЬ (НАГР. ЭЛЕМЕНТ/ОСНОВНАЯ ПЛАТА)	65102541																																																													
0014	КРЫШКА ПЛАСТИКОВАЯ БОЛЬШАЯ	65102539																																																													
	КРЫШКА ПЛАСТИКОВАЯ БОЛЬШАЯ	65102596																																																													
	КРЫШКА ПЛАСТИКОВАЯ БОЛЬШАЯ	65180008																																																													
0018	РУЧКА РЕГУЛИРОВАНИЯ	65102598																																																													
0019	ИНДИКАТОРНАЯ ЛАМПА	65102599																																																													
0022	ПРЕДОХРАНИТЕЛЬНЫЙ КЛАПАН (1/2" 7 БАР)	65109003																																																													
	ПРЕДОХРАНИТЕЛЬНЫЙ КЛАПАН (1/2" 8,5 БАР)	571730																																																													
0023	МАГНИЕВЫЙ АНОД D:25,5 L:135,5 M5-M8	919004-01																																																													
	МАГНИЕВЫЙ АНОД D:25,5 L:230 M5-M8	993014-01																																																													
0027	СКОБА ФЛАНЦА	993011																																																													
0031	ГАЙКА M8	570127																																																													
0035	ТЕРМОМЕТР	65104309																																																													
	ТЕРМОМЕТР	65150436																																																													
0036	ОСНОВНАЯ ПЛАТА	65102538																																																													
0040	КРЫШКА ПЛАСТИКОВАЯ	65102540																																																													
	КРЫШКА ПЛАСТИКОВАЯ	65102597																																																													
	КРЫШКА ПЛАСТИКОВАЯ	65180009																																																													
0044	ЗАЖИМ ДЛЯ КАБЕЛЯ	573266																																																													
0045	ВИНТ M6X12	993000																																																													
0050	КАБЕЛЬ ПИТАНИЯ	993199																																																													
0058	РАССЕКАТЕЛЬ ВОДЫ (1/2" H=37)	65110979																																																													
0066	КНОПКИ УПРАВЛЕНИЯ	65102542																																																													
0067	ДАТЧИК ТЕМПЕРАТУРЫ	65102543																																																													
0071	ИЗОЛЯТОР КЛЕММ ТЭНА (BLUE)	993009																																																													
	ИЗОЛЯТОР КЛЕММ ТЭНА (NEUTRAL)	993010																																																													

LIST OF THE ABBREVIATIONS

HW	: Hot water.
CW	: Cold water.
C	: Ceramic resistance (normal heating).
Ca	: Ceramic resistance (accelerated heating)
TP	: Immersion heater.
1F	: With fittings.
2F	: Without fittings.
3F	: With fittings and another outlet connection.
AMI	: With mixing valve.
SMI	: Without mixing valve.
PUISS	: Power of th appliance.
PN	: Appliance with normal pression.
LP	: Appliance with low pression.
PV	: Appliance with variable power.
PF	: Appliance with fixed power.

IDENTIFICATION PLATE

SERIAL NUMBER

6 Characters :	03 09 08	
Year of manufacture	Manufacturing day Month of manufacture	
9 Characters :	M 12 10 0606	
Year of manufacture Month of manufacture	Sequential number	
14 Characters :	SI-V-0B0 45 07 0001	
Product model	Sequential number Year of manufacture :	6 → 2004
	Month of manufacture :	25 → January 43 → July 7 → 2005
		13 → February 29 → August 8 → 2006
		32 → March 40 → September etc ...
		35 → April 38 → October
		39 → May 51 → November
		45 → June 12 → December
15 Characters :	02 11 00001 007843	
Year of manufacture Month of manufacture	Code appareil Sequential number	
21 Characters :	3200050 XX 08115 0000001	
Product reference	Sequential number Year (08) / Manufacturing day (115)	
22 Characters :	3200050 XX 070115 0000001	
Product reference	Sequential number Year (07) / Month (01) / Manufacturing day (15)	

The indications mentioned on the prices, commercial or technical literature and the scheme are written for your guidance and are available at a given time. The CONSTRUCTOR retains the power to modify the presentation, the form, the size, the conception or the material of the products.