

SPARE PARTS EXPLODED VIEW GAS-WALL CONDENSING BOILERS

Model

MIRA ADVANCE

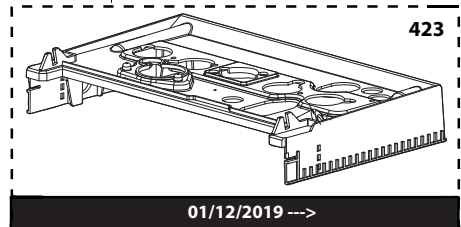
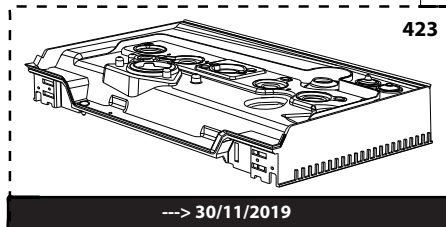
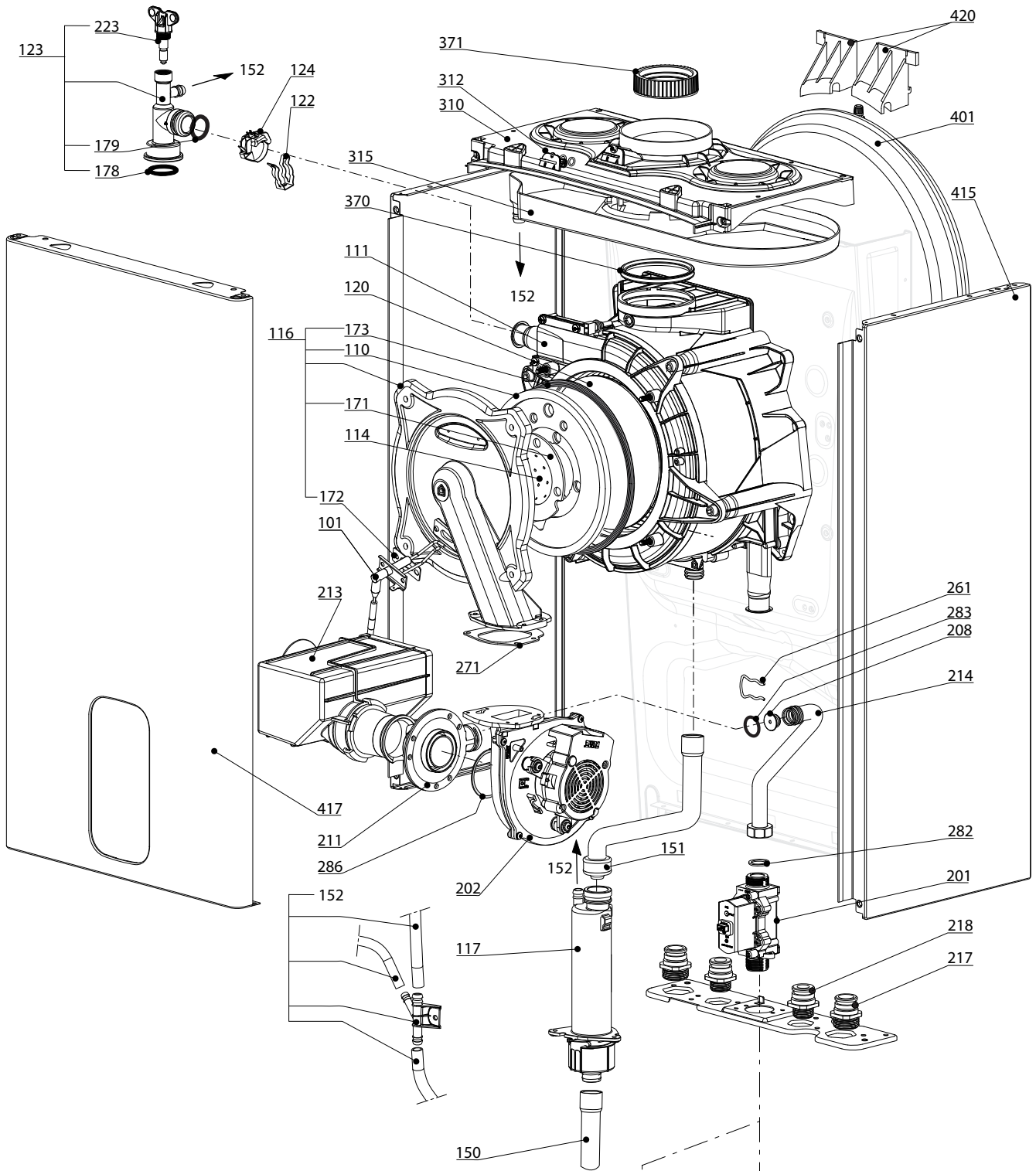
R8203513-06 - 11/12/2019

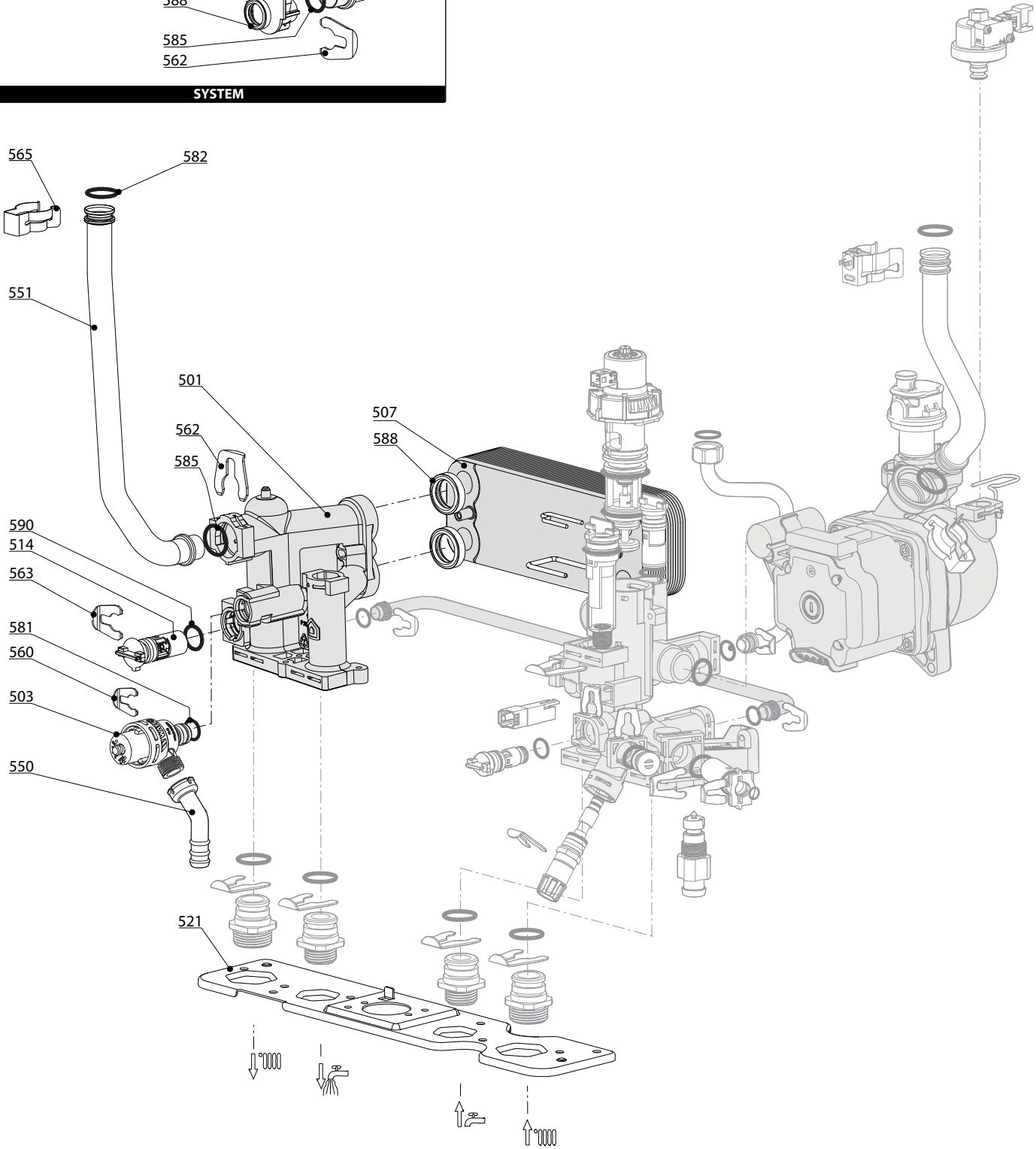
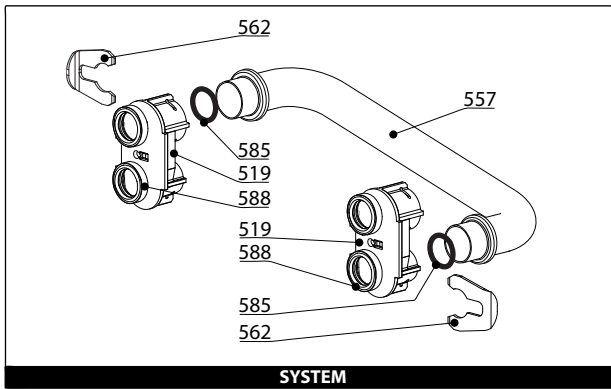
1	3310615	MIRA ADVANCE 25	03-2018	-
2	3310616	MIRA ADVANCE 30	03-2018	-
3	3310617	MIRA ADVANCE 35	03-2018	-
4	3310618	MIRA ADVANCE SYSTEM 12	05-2018	-
5	3310619	MIRA ADVANCE SYSTEM 25	05-2018	-
6	3310620	MIRA ADVANCE SYSTEM 35	05-2018	-
7	3310612	MIRA ADVANCE LINK 25	05-2018	-
8	3310613	MIRA ADVANCE LINK 30	05-2018	-
9	3310614	MIRA ADVANCE LINK 35	05-2018	-
Col	Reference	Model type	Begin	End

100
200
300
400

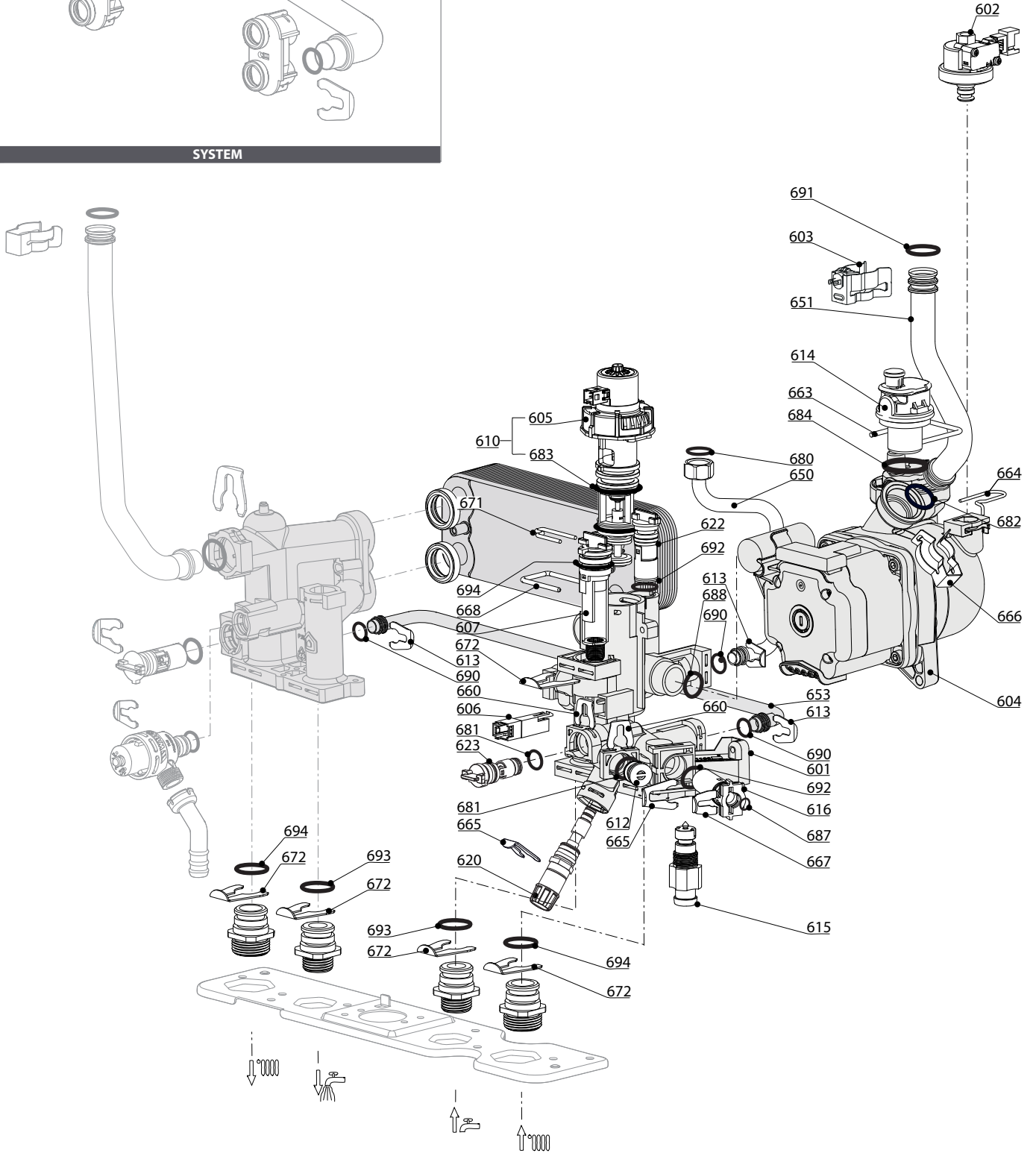
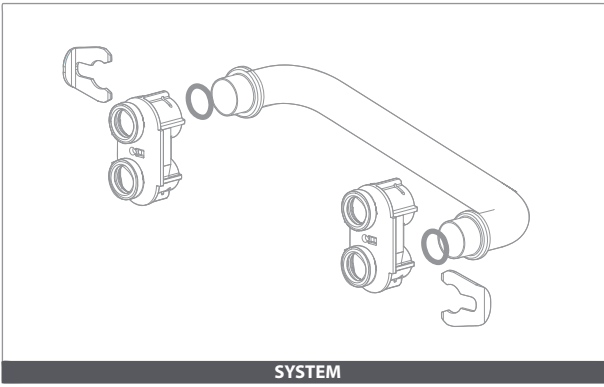
MIRA ADVANCE

Gas-wall condensing boilers

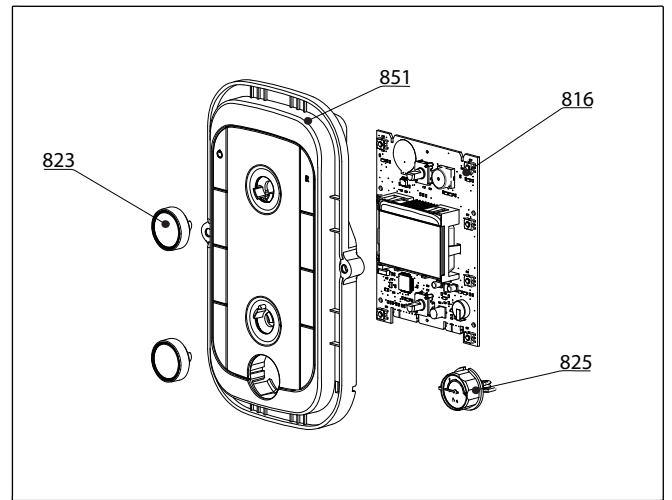
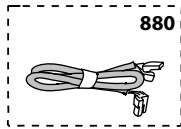
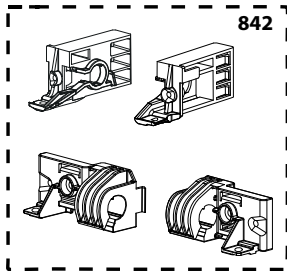
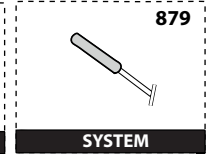
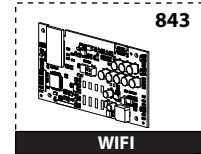
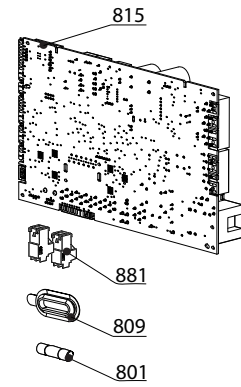
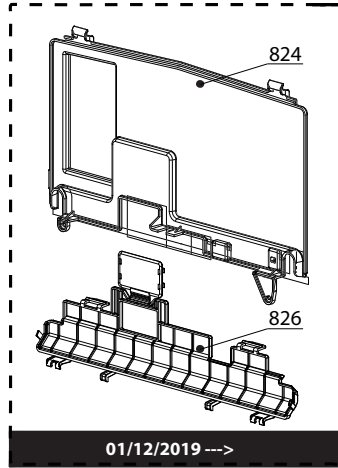
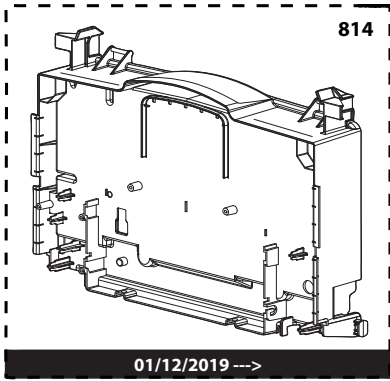
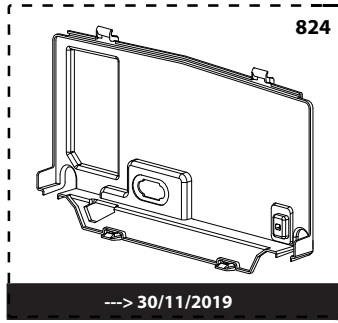
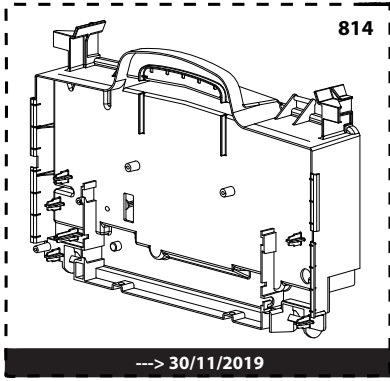




☉⇒	Description	Manf. Pt. N	Type	<div style="display: flex; justify-content: space-between; font-size: small;"> MIRA ADV. 25 MIRA ADV. 30 MIRA ADV. 35 MIRA ADV. SYST. 12 MIRA ADV. SYST. 25 MIRA ADV. SYST. 35 MIRA ADV. LINK 25 MIRA ADV. LINK 30 MIRA ADV. LINK 35 </div>																		From	to
				1	2	3	4	5	6	7	8	9	10	11	12	13	14	15	16	17	18		
0500	FLOW GROUP																						
0501	FLOW GROUP	65115933		●	●	●				●	●	●									06/18		
	FLOW GROUP	65115933					●	●	●														
	FLOW GROUP	65117952		●	●	●				●	●	●								07/18			
0503	PRESSURE RELIEF VALVE (3 BAR)	61312668		●	●	●	●	●	●	●	●	●	●										
0507	SANITARY HEAT EXCHANGER (12 P.)	65116314		●	●					●	●												
	SANITARY HEAT EXCHANGER (16 P.)	65116537				●						●											
0514	BY-PASS	65114917		●	●	●				●	●	●	●	●	●	●	●	●	●				
0519	INTERFACE 'SYSTEM +' OPEN	60001365					●	●	●														
0521	HYDRAULIC GROUP SUPPORT	65119440		●	●	●	●	●	●	●	●	●	●	●	●	●	●	●	●	06/19			
	HYDRAULIC GROUP SUPPORT	65116538		●	●	●	●	●	●	●	●	●	●	●	●	●	●	●	●		05/19		
0550	PIPE (SAFETY VALVE OUTLET)	60001955		●	●	●	●	●	●	●	●	●	●	●	●	●	●	●	●				
0551	PIPE (C.H. FLOW) 24KW	65116539		●			●	●				●											
	PIPE (CH OUTLET)	65116569			●								●										
	PIPE (CH OUTLET)	65116578				●			●					●									
0557	PIPE (D.H.W.RETURN)	65115935					●	●	●														
0560	CLIP D:10	65114933		●	●	●	●	●	●	●	●	●	●	●	●	●	●	●	●				
0562	CLIP D:18	65104259		●	●	●	●	●	●	●	●	●	●	●	●	●	●	●	●				
0563	CLIP D:12	65114932		●	●	●	●	●	●	●	●	●	●	●	●	●	●	●	●				
0565	CLIP	60000309		●	●	●	●	●	●	●	●	●	●	●	●	●	●	●	●				
0581	O-RING 17.96X2.62	65104337		●	●	●	●	●	●	●	●	●	●	●	●	●	●	●	●				
0582	O-RING 17.86X2.62	61308091		●	●	●	●	●	●	●	●	●	●	●	●	●	●	●	●				
0585	O-RING 17.04X3.53	65104262		●	●	●	●	●	●	●	●	●	●	●	●	●	●	●	●				
0588	EXCHANGER GASKET	65114928		●	●	●	●	●	●	●	●	●	●	●	●	●	●	●	●				
0590	O-RING 11.91X2.62	65114940		●	●	●	●	●	●	●	●	●	●	●	●	●	●	●	●				



Description	Manf. Pt. N	Type	MIRA ADVANCE																				
			1	2	3	4	5	6	7	8	9	10	11	12	13	14	15	16	17	18	From	to	
0600 RETURN GROUP																							
0601 RETURN GROUP	65116540		●	●	●					●	●	●											06/18
RETURN GROUP	65116613					●	●	●															11/19
RETURN GROUP	65117953		●	●	●					●	●	●											07/18
RETURN GROUP	65119770		●	●	●					●	●	●											11/19
RETURN GROUP	65119772					●	●	●															12/19
0602 PRESSURE SWITCH (PROPORTIONAL)	65115793		●	●	●	●	●	●	●	●	●	●	●										
0603 TEMPERATURE PROBE + CLIP	990686-01		●	●	●	●	●	●	●	●	●	●	●	●	●	●	●	●	●	●	●	●	
0604 PUMP 5M PWM TACO	65116908-01	TACO	●	●	●	●	●	●	●	●	●	●	●	●	●	●	●	●	●	●	●	●	
0605 MOTOR (3-WAY VALVE)	65114936		●	●	●	●	●	●	●	●	●	●	●	●	●	●	●	●	●	●	●	●	
0606 SENSOR (REED)	65114921-01		●	●	●					●	●	●	●	●	●	●	●	●	●	●	●	●	
0607 FLOW METER CAP	65114919		●	●	●	●	●	●	●	●	●	●	●	●	●	●	●	●	●	●	●	●	
0610 MOTOR + SPRING 3 WAY VALVE KIT	65114924		●	●	●	●	●	●	●	●	●	●	●	●	●	●	●	●	●	●	●	●	
0612 PLUG	65114920		●	●	●	●	●	●	●	●	●	●	●	●	●	●	●	●	●	●	●	●	
0613 CLIP D10	65104260		●	●	●	●	●	●	●	●	●	●	●	●	●	●	●	●	●	●	●	●	
0614 AUTO AIR VENT - TACO ENER+	65112086	TACO	●	●	●	●	●	●	●	●	●	●	●	●	●	●	●	●	●	●	●	●	
0615 DRAIN COCK	65114922		●	●	●	●	●	●	●	●	●	●	●	●	●	●	●	●	●	●	●	●	
0616 WATER FILTER	65114923		●	●	●	●	●	●	●	●	●	●	●	●	●	●	●	●	●	●	●	●	
0620 FILLING TAP KIT	65116541		●	●	●	●	●	●	●	●	●	●	●	●	●	●	●	●	●	●	●	●	
0622 BY-PASS	65114917		●	●	●	●	●	●	●	●	●	●	●	●	●	●	●	●	●	●	●	●	
0623 CHECK VALVE CARTRIDGE	65114918		●	●	●	●	●	●	●	●	●	●	●	●	●	●	●	●	●	●	●	●	
0650 PIPE (EXPANSION VESSEL)	65116542		●	●	●	●	●	●	●	●	●	●	●	●	●	●	●	●	●	●	●	●	
0651 PIPE (C.H. RETURN)	65116543		●	●	●	●	●	●	●	●	●	●	●	●	●	●	●	●	●	●	●	●	
0653 BY-PASS PIPE	65116210		●	●	●					●	●	●	●	●	●	●	●	●	●	●	●	●	06/18
BY-PASS PIPE	65116210					●	●	●															
0660 CLIP D:10	65114933		●	●	●	●	●	●	●	●	●	●	●	●	●	●	●	●	●	●	●	●	
0663 U-CLIP	65104704		●	●	●	●	●	●	●	●	●	●	●	●	●	●	●	●	●	●	●	●	
0664 CLIP	65104322		●	●	●	●	●	●	●	●	●	●	●	●	●	●	●	●	●	●	●	●	
0665 CLIP D:12	65114932		●	●	●	●	●	●	●	●	●	●	●	●	●	●	●	●	●	●	●	●	
0666 CLIP	60000309		●	●	●	●	●	●	●	●	●	●	●	●	●	●	●	●	●	●	●	●	
0667 CLIP D:6	65100680		●	●	●	●	●	●	●	●	●	●	●	●	●	●	●	●	●	●	●	●	
0668 CLIP	65114927		●	●	●	●	●	●	●	●	●	●	●	●	●	●	●	●	●	●	●	●	
0671 CLIP	65114926		●	●	●	●	●	●	●	●	●	●	●	●	●	●	●	●	●	●	●	●	
0672 CLIP	65114931		●	●	●	●	●	●	●	●	●	●	●	●	●	●	●	●	●	●	●	●	
0680 GASKET 3/8 in	573521		●	●	●	●	●	●	●	●	●	●	●	●	●	●	●	●	●	●	●	●	
0681 O-RING 9.9X2.62	65114937		●	●	●	●	●	●	●	●	●	●	●	●	●	●	●	●	●	●	●	●	
0682 O-RING 17.04X3.53	65104262		●	●	●	●	●	●	●	●	●	●	●	●	●	●	●	●	●	●	●	●	
0683 O-RING 23.47X2.62	65114939		●	●	●	●	●	●	●	●	●	●	●	●	●	●	●	●	●	●	●	●	
0684 O-RING 3X35 EPDM 75 SH	65104705		●	●	●	●	●	●	●	●	●	●	●	●	●	●	●	●	●	●	●	●	
0687 O-RING 5.7X1.9	61009834-10		●	●	●	●	●	●	●	●	●	●	●	●	●	●	●	●	●	●	●	●	
0688 O-RING 21.89X2.62	65104320		●	●	●	●	●	●	●	●	●	●	●	●	●	●	●	●	●	●	●	●	
0690 O-RING 8.9X2.7	61009834-14		●	●	●	●	●	●	●	●	●	●	●	●	●	●	●	●	●	●	●	●	
0691 O-RING 17.86X2.62	61308091		●	●	●	●	●	●	●	●	●	●	●	●	●	●	●	●	●	●	●	●	
0692 O-RING 11.91X2.62	65114940		●	●	●	●	●	●	●	●	●	●	●	●	●	●	●	●	●	●	●	●	
0693 O-RING 15.88X2.62	65114941		●	●	●	●	●	●	●	●	●	●	●	●	●	●	●	●	●	●	●	●	
0694 O-RING 17.13X2.62	65114938		●	●	●	●	●	●	●	●	●	●	●	●	●	●	●	●	●	●	●	●	



5000

- 5020
- Accessories
 - Options
 - Opzioni
 - Accessorio
 - Zubehör
 - Opties

MIRA ADV. 25
 MIRA ADV. 30
 MIRA ADV. 35
 MIRA ADV. SYST. 12
 MIRA ADV. SYST. 25
 MIRA ADV. SYST. 35
 MIRA ADV. LINK 25
 MIRA ADV. LINK 30
 MIRA ADV. LINK 35

31

☉⇒	Description	Manf. Pt. N	Type	MIRA ADV. 25 MIRA ADV. 30 MIRA ADV. 35 MIRA ADV. SYST. 12 MIRA ADV. SYST. 25 MIRA ADV. SYST. 35 MIRA ADV. LINK 25 MIRA ADV. LINK 30 MIRA ADV. LINK 35																		From	to
				1	2	3	4	5	6	7	8	9	10	11	12	13	14	15	16	17	18		
0800	ELECTRICAL BOX																						
0801	FUSE 5X20 RIT. 2 A 250V	65112137		●	●	●	●	●	●	●	●	●	●	●	●	●	●	●	●				
0809	GROMMET (PCD TOOL ACCESS)	998382		●	●	●	●	●	●	●	●	●	●	●	●	●	●	●	●		11/19		
0814	CONTROL PANEL COVER (FRONT)	65116544		●	●	●	●	●	●	●	●	●	●	●	●	●	●	●	●		11/19		
	CONTROL PANEL COVER (FRONT)	65119642		●	●	●	●	●	●	●	●	●	●	●	●	●	●	●	●	12/19			
0815	P.C.B. (MAIN)	65116545-02		●	●	●	●	●	●	●	●	●	●	●	●	●	●	●	●				
0816	P.C.B. (DISPLAY)	60003008-01		●	●	●	●	●	●	●	●	●	●	●	●	●	●	●	●				
0823	BLACK KNOB	60002841		●	●	●	●	●	●	●	●	●	●	●	●	●	●	●	●				
0824	CONTROL PANEL COVER (REAR - SUPERIOR)	65119643		●	●	●	●	●	●	●	●	●	●	●	●	●	●	●	●	12/19			
	CONTROL PANEL COVER (REAR)	65116547		●	●	●	●	●	●	●	●	●	●	●	●	●	●	●	●		11/19		
0825	PRESSURE GAUGE	60003009		●	●	●	●	●	●	●	●	●	●	●	●	●	●	●	●				
0826	CONTROL PANEL COVER LOWER PART	65119736		●	●	●	●	●	●	●	●	●	●	●	●	●	●	●	●	12/19			
0842	CONTROL PANEL HINGE	65119641		●	●	●	●	●	●	●	●	●	●	●	●	●	●	●	●				
0843	P.C.B. (WIFI-REM3)	65118649		●	●	●	●	●	●	●	●	●	●	●	●	●	●	●	●				
0851	CONTROL PANEL	65117474		●	●	●	●	●	●	●	●	●	●	●	●	●	●	●	●				
0879	BOILER THERMISTOR TEMP. SENSOR	60000454		●	●	●	●	●	●	●	●	●	●	●	●	●	●	●	●				
0880	3-WAY VALVE CABLE	65116584		●	●	●	●	●	●	●	●	●	●	●	●	●	●	●	●				
	3-WAY VALVE CABLE	65116815		●	●	●	●	●	●	●	●	●	●	●	●	●	●	●	●				
	CABLE (FAN)	65116579		●	●	●	●	●	●	●	●	●	●	●	●	●	●	●	●				
	CABLE (IGNITION ELECTRODE)	65116583		●	●	●	●	●	●	●	●	●	●	●	●	●	●	●	●				
	DISPLAY WIRING - 5 WIRES BLUES	60000746		●	●	●	●	●	●	●	●	●	●	●	●	●	●	●	●				
	EARTH WIRE	65104286		●	●	●	●	●	●	●	●	●	●	●	●	●	●	●	●				
	FEEDER 240V	60001619		●	●	●	●	●	●	●	●	●	●	●	●	●	●	●	●				
	GAS VALVE CABLE	65116580		●	●	●	●	●	●	●	●	●	●	●	●	●	●	●	●				
	NTC CABLE	65116717		●	●	●	●	●	●	●	●	●	●	●	●	●	●	●	●				
	PUMP CABLE TACO	65117069	TACO	●	●	●	●	●	●	●	●	●	●	●	●	●	●	●	●				
	WIRING (WI-FI BOARD)	65115826		●	●	●	●	●	●	●	●	●	●	●	●	●	●	●	●				
	0881	CONNECTOR 2P	65111933		●	●	●	●	●	●	●	●	●	●	●	●	●	●	●	●			
		CONNECTOR 3P (x5)	65111934-01		●	●	●	●	●	●	●	●	●	●	●	●	●	●	●	●			
5000	ACCESSORIES																						
5020	KIT THERMOREGULATION	65117313-01		●	●	●	●	●	●	●	●	●	●	●	●	●	●	●	●				
	RIDUCTORS (KIT)	65116836		●	●	●	●	●	●	●	●	●	●	●	●	●	●	●	●				

MIRA ADVANCE

Gas-wall condensing boilers

LIST OF THE ABBREVIATIONS

HW	: Hot water.
CW	: Cold water.
C	: Ceramic resistance (normal heating).
Ca	: Ceramic resistance (accelerated heating)
TP	: Immersion heater.
1F	: With fittings.
2F	: Without fittings.
3F	: With fittings and another outlet connection.
AMI	: With mixing valve.
SMI	: Without mixing valve.
PUISS	: Power of th appliance.
PN	: Appliance with normal pression.
LP	: Appliance with low pression.
PV	: Appliance with variable power.
PF	: Appliance with fixed power.

IDENTIFICATION PLATE

SERIAL NUMBER

10 Characters :	04 05 125 011		
		Sequential number	
		Manufacturing day	
		Year of manufacture	
11 Characters :	1 95 065004 - 31		
Month of manufacture :		Technical number of the appliance	
from 1 to 9 → Jan. to Sep.,		Sequential number	
O → Oct., N → Nov.,		Year of manufacture	
D → Dec.			
19 Characters :	08 05 0013199 900640031		
Year of manufacture		Product reference	
Month of manufacture		Sequential number	
20 Characters :	3675007 XX 2 07 070 00315		
Product reference		Sequential number	
Millenium of manufacture		Manufacturing day	
		Year of manufacture	
21 Characters :	3675007 XX 07 070 0000315		
Product reference		Sequential number	
Year of manufacture		Manufacturing day	