

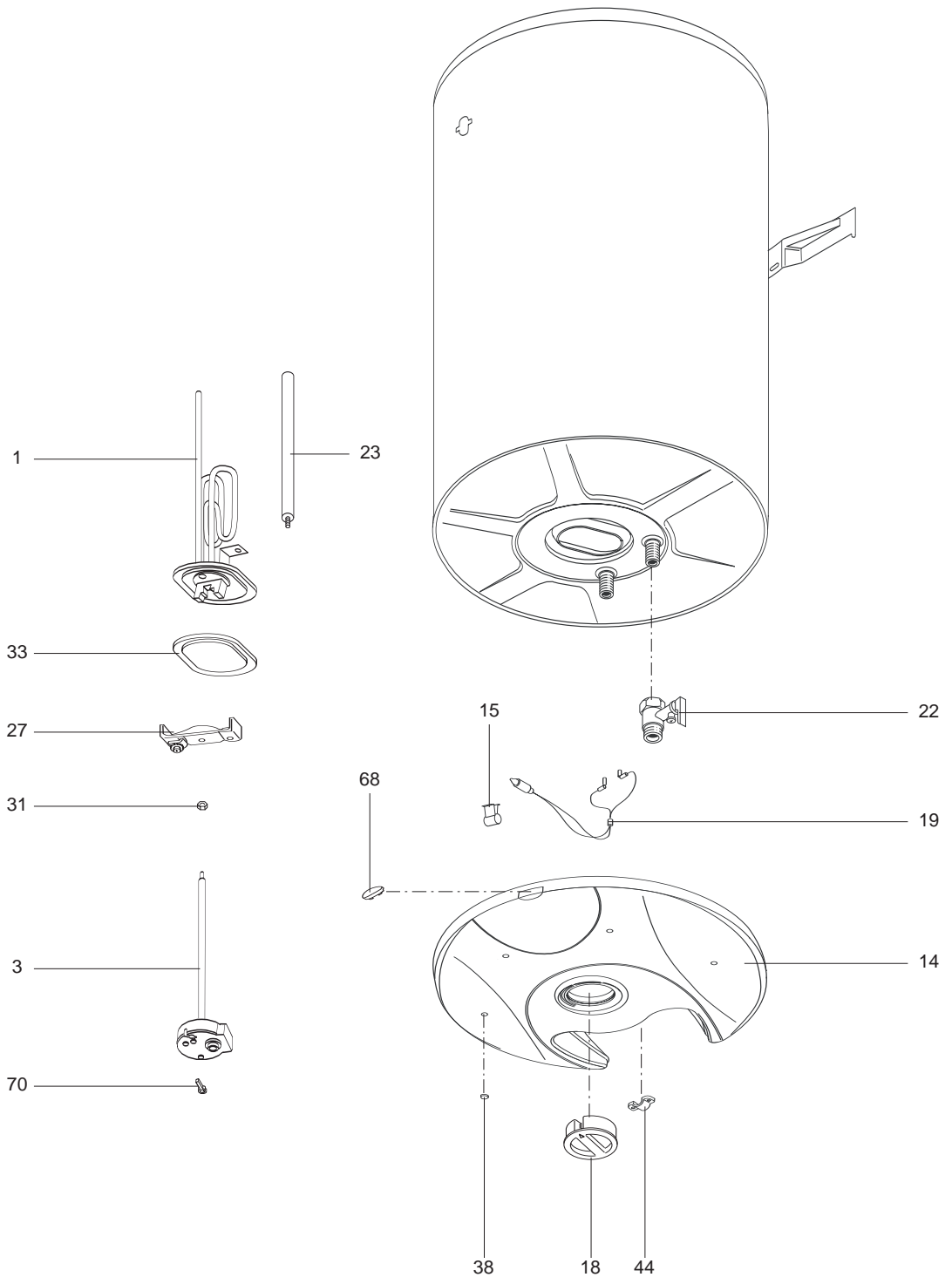
SPARE PARTS EXPLODED VIEW
STORAGE ELECTRIC WATER HEATERS

Model

SGHP VE 1,5 SLIM

R8216067-01EN - Edition 01 - 19/09/2007

370 4000		SGHP 30 VE 1,5 SLIM
370 0000		SGHP 50 VE 1,5 SLIM
370 0001		SGHP 65 VE 1,5 SLIM
Reference	Ind.	Model type	Begin	End



LIST OF THE ABBREVIATIONS

HW	: Hot water.
CW	: Cold water.
C	: Ceramic resistance (normal heating).
Ca	: Ceramic resistance (accelerated heating)
TP	: Immersion heater.
1F	: With fittings.
2F	: Without fittings.
3F	: With fittings and another outlet connection.
AMI	: With mixing valve.
SMI	: Without mixing valve.
PUISS	: Power of th appliance.
PN	: Appliance with normal pression.
LP	: Appliance with low pression.
PV	: Appliance with variable power.
PF	: Appliance with fixed power..

IDENTIFICATION PLATE

SERIAL NUMBER

Ex: 03 09 08 (Until 12/06)
 Manufacturing day
 Month of manufacture : from 1 to 12 → January to December
 Year of manufacture

OR
 Ex: 02 11 00001 007843
 Product reference
 Sequential number
 Month of manufacture
 Year of manufacture

Ex: 3200050 XX 070115 0000001 (From 01/07)
 Sequential number
 Year (07) / Month (01) / Manufacture day (15)
 Product reference

The indications mentionned on the prices, commercial or technical literature and the scheme are written for your guidance and are available at a given time. The CONSTRUCTOR retains the power to modify the presentation, the form, the size, the conception or the material of the products.