

SPARE PARTS EXPLODED VIEW GAS-STANDING CONDENSING BOILER

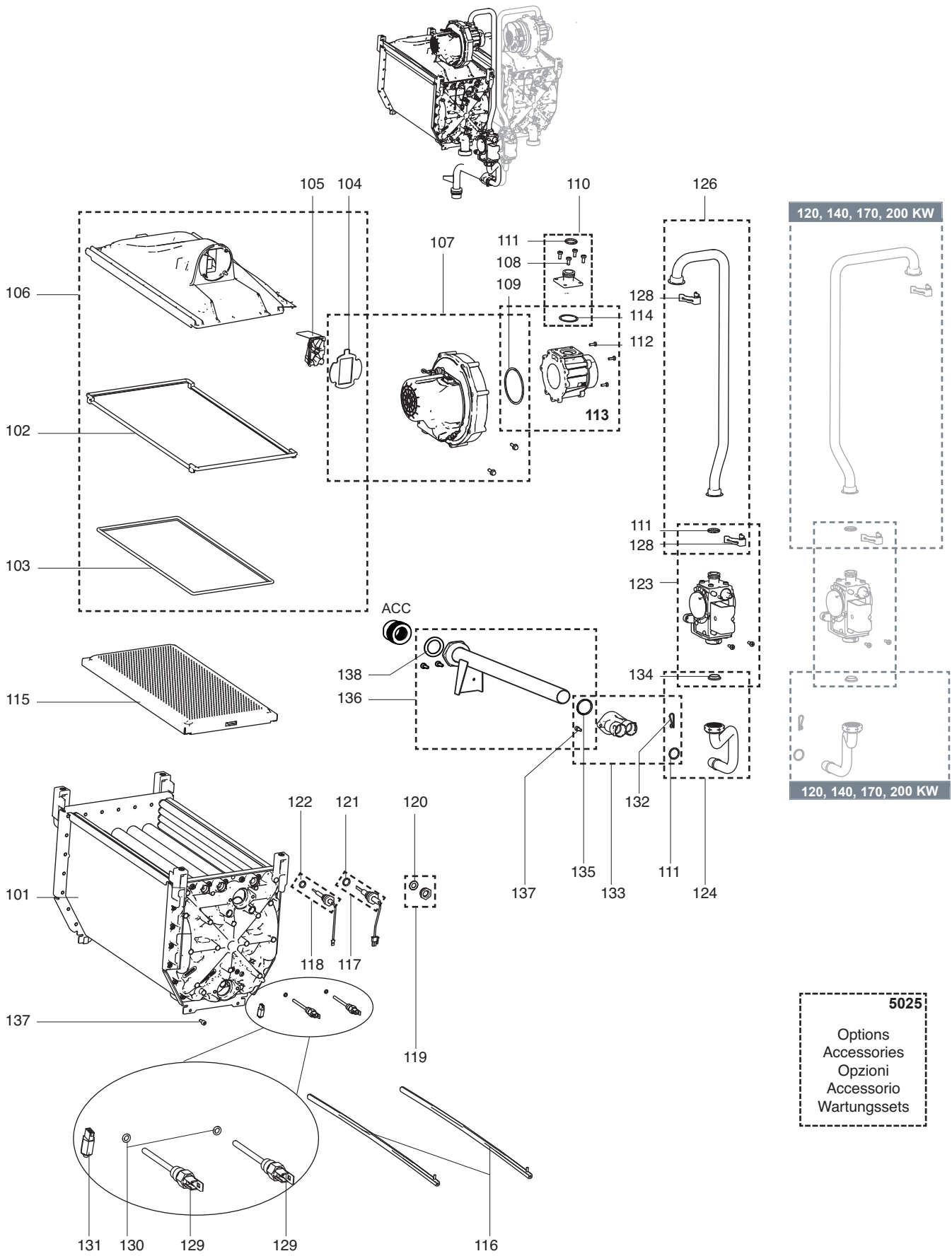
Model

TRIGON L PLUS

R8218523-01 - 29/06/2020

1	3900133	TRIGON L PLUS 60 G25	03-2020
1	3900152	TRIGON L PLUS 60	03-2020
1	3900101	TRIGON L PLUS 60 EE	03-2020
2	3900134	TRIGON L PLUS 70 G25	03-2020
2	3900146	TRIGON L PLUS 70	03-2020
2	3900093	TRIGON L PLUS 70 EE	03-2020
3	3900135	TRIGON L PLUS 100 G25	03-2020
3	3900147	TRIGON L PLUS 100	03-2020
3	3900094	TRIGON L PLUS 100 EE	03-2020
4	3900136	TRIGON L PLUS 120 G25	03-2020
4	3900148	TRIGON L PLUS 120	03-2020
4	3900096	TRIGON L PLUS 120 EE	03-2020
5	3900137	TRIGON L PLUS 140 G25	03-2020
5	3900149	TRIGON L PLUS 140	03-2020
5	3900097	TRIGON L PLUS 140 EE	03-2020
6	3900138	TRIGON L PLUS 170 G25	03-2020
6	3900150	TRIGON L PLUS 170	03-2020
6	3900098	TRIGON L PLUS 170 EE	03-2020
7	3900139	TRIGON L PLUS 200 G25	03-2020
7	3900151	TRIGON L PLUS 200	03-2020
7	3900099	TRIGON L PLUS 200 EE	03-2020

Col	Reference	Model type	Begin	End
-----	-----------	------------	-------	-----

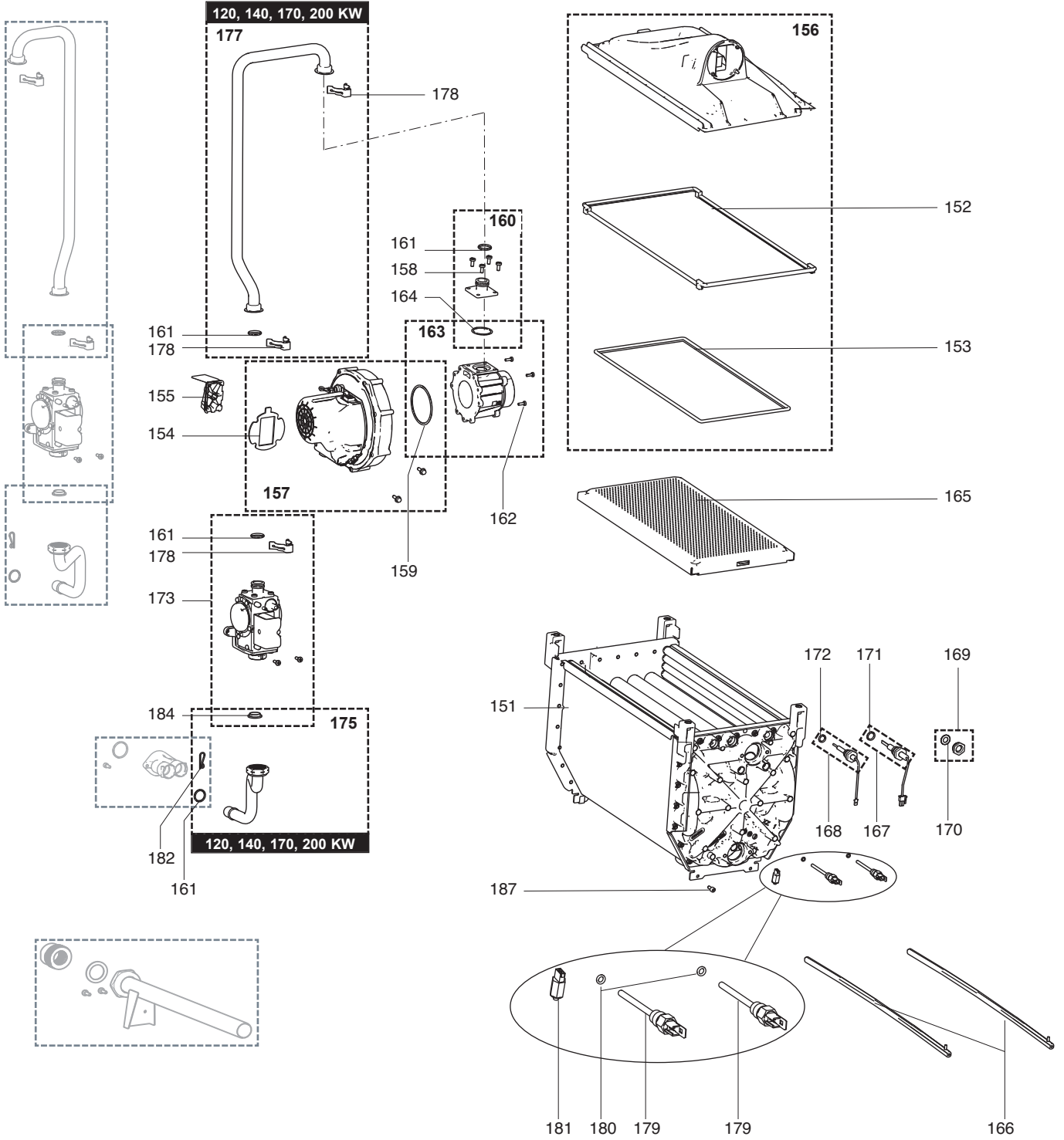
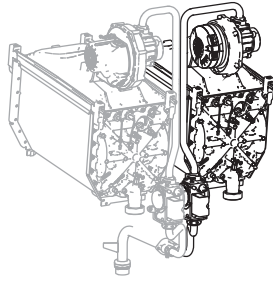


120, 140, 170, 200 KW

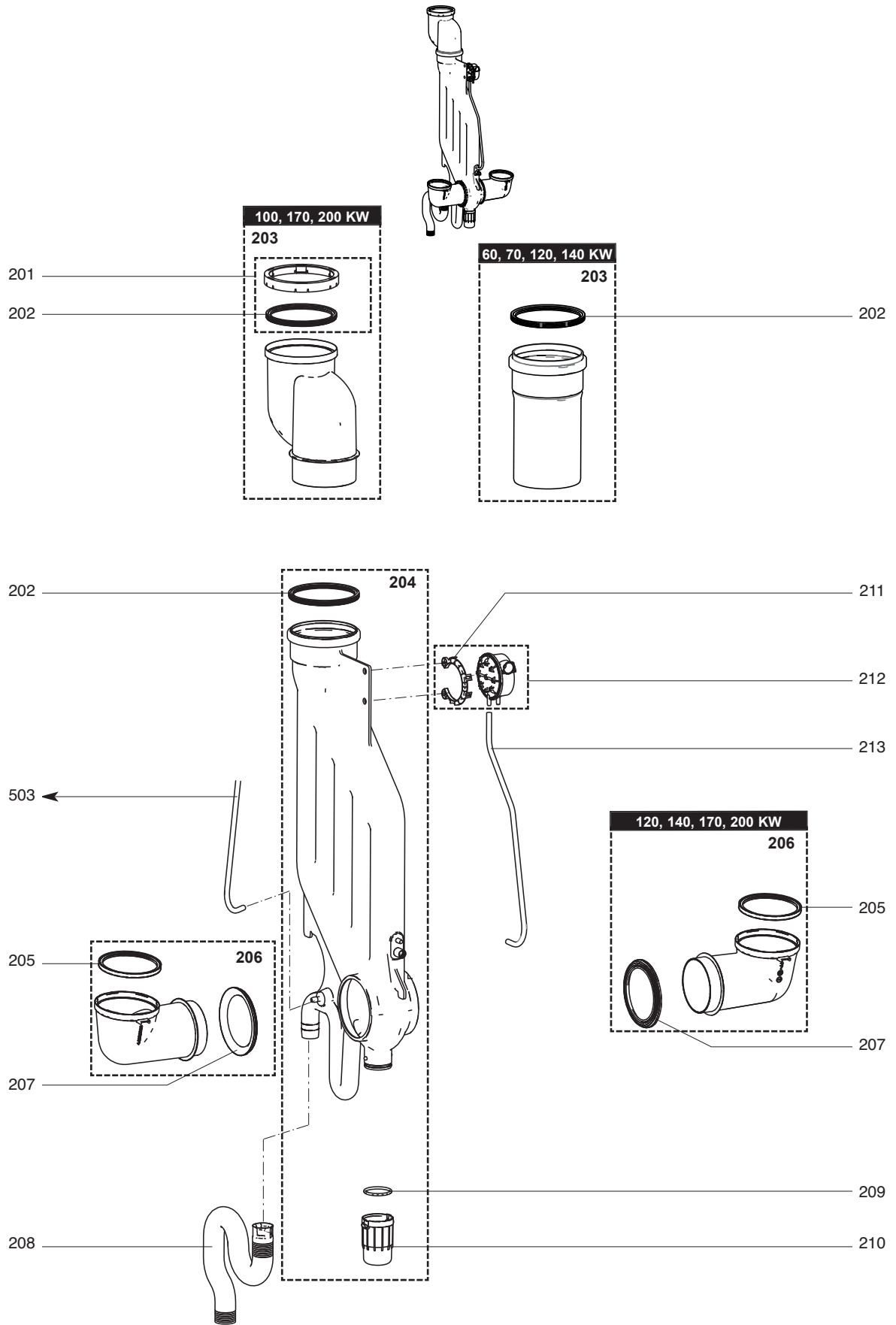
120, 140, 170, 200 KW

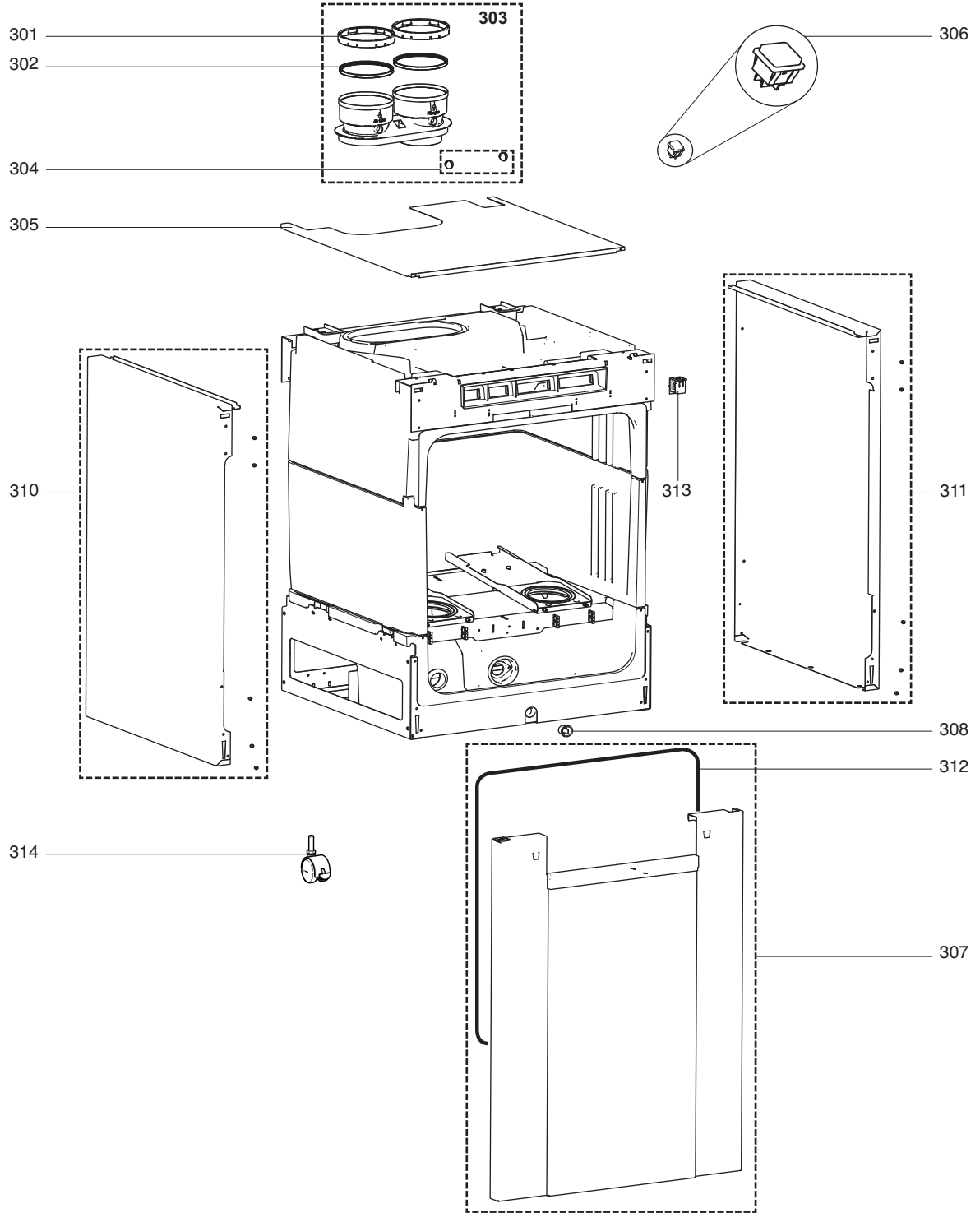
5025
Options
Accessories
Opzioni
Accessorio
Wartungssets

Description	Manf. Pt N	Type	TRIGON L PLUS 60 TRIGON L PLUS 70 TRIGON L PLUS 100 TRIGON L PLUS 120 TRIGON L PLUS 140 TRIGON L PLUS 170 TRIGON L PLUS 200																			
			1	2	3	4	5	6	7	8	9	10	11	12	13	14	15	16	17	18	From	to
0100 EXCHANGER BLOCK																						
0101 HEAT EXCHANGER COMPLETE ICONXL-1	64990570		●	●		●	●															
HEAT EXCHANGER COMPLETE ICONXL-2	64990571				●				●	●												
0102 GASK.HEAT EXCH/TOP PART ICONXL-1	64990572		●	●		●	●															
GASK.HEAT EXCH/TOP PART ICONXL-2	64990573				●				●	●												
0103 GASK. BURN./TOP PART HE ICONXL-1	64990574		●	●		●	●															
GASK. BURN./TOP PART HE ICONXL-2	64990575				●				●	●												
0104 GASKET FAN/TOP PART H.EX. ICONXL	64990576		●	●		●	●		●	●												
0105 FLUE GAS NON RETURN VALVE ICONXL	64990577		●	●	●	●	●	●	●	●												
0106 TOP PART H.EXCH. ICONXL-1	64990578		●	●		●	●															
TOP PART H.EXCH. ICONXL-2	64990579				●				●	●												
0107 FAN ICONXL-1	64990580		●	●		●	●															
FAN ICONXL-2	64990581				●				●	●												
0108 BOLT M5X12GR FASE ZSDIN7985 (5X)	64990006		●	●	●	●	●	●	●	●												
0109 O-RING D63.00X3.00 NBR (2X)	64990583		●	●		●	●															
O-RING D70.00X3.00 NBR (2X)	64990584				●				●	●												
0110 FITTING SET GAS VALVE ICON XL	64990585		●	●	●	●	●	●	●	●												
0111 O-RING D20.30 X2.62 NBR (6X)	64990586		●	●	●	●	●	●	●	●												
0112 BOLT M 4X12 (3X)	64990587		●	●	●	●	●	●	●	●												
0113 VENTURI SET 31,5MM ICONXL-1	64990588		●	●		●	●															
VENTURI SET 35,0MM ICONXL-2	64990589				●				●	●												
0114 O-RING D32.50 X2.00 NBR (2X)	64990590		●	●	●	●	●	●	●	●												
0115 BURNER ICONXL-1	64990591		●	●		●	●															
BURNER ICONXL-2	64990592				●				●	●												
0116 CLAMP BAR TOP PART H.EX. ICONXL-1	64990593		●	●		●	●															
CLAMP BAR TOP PART H.EX. ICONXL-2	64990594				●				●	●												
0117 IGNITION ELECTRODE + GASKET ICON XL	64990595		●	●	●	●	●	●	●	●												
0118 IONISATION ELECTRODE + GASKET ICON XL	64990596		●	●	●	●	●	●	●	●												
0119 SIGHT GLASS + GASKET ICON XL	64990597		●	●	●	●	●	●	●	●												
0120 GASKET SIGHT GLASS ICON XL	64990598		●	●	●	●	●	●	●	●												
0121 O-RING D10.77X2.62 IGN.ICON XL (2X)	64990599		●	●	●	●	●	●	●	●												
0122 O-RING D12.37X2.62 ION.ICON XL (2X)	64990600		●	●	●	●	●	●	●	●												
0123 GASVALVE ICON XL	64990601		●	●	●	●	●	●	●	●												
0124 TUBE GAS PRIMARY LEFT	64990602		●	●		●	●	●	●	●												
0126 TUBE GAS SECONDARY ICONXL 1 LEFT	64990604		●	●		●	●		●	●												
TUBE GAS SECONDARY ICONXL 2 LEFT	64990605				●				●	●												
0128 CLIP QUICK CONNECT GASVALVE WMB	64990538		●	●	●	●	●	●	●	●												
0129 NTC FLOW 10K	64990076		●	●	●	●	●	●	●	●												
0130 O-RING Ø5X2 FLOWSENSOR (5X)	64990017		●	●	●	●	●	●	●	●												
0131 NTC SENSOR T2/T3 10K	64990075		●	●	●	●	●	●	●	●												
0132 CATCH STRING HYDRAULICBLOCK	64990211		●	●		●	●															
0133 GAS COUPLING DE	64990608					●	●	●	●	●												
GAS COUPLING SE	64990609		●	●	●																	
0134 GASKET GASVALVE ICONXL	64990610		●	●	●	●	●	●	●	●												
0135 O-RING D28.25 X2.62 NBR	64990611		●	●	●	●	●	●	●	●												
0136 TUBE GAS MAIN FSBC CPT	64990615		●	●		●	●															
TUBE GAS MAIN FSBC STD	64990614				●				●	●												
0137 BOLT M5 X 12 IMBUS (3X)	64990129		●	●	●	●	●	●	●	●												
0138 PAKKINGRING 1 1/4 IN 38X27X2 GAS	64990616		●	●	●	●	●	●	●	●												
5025 MAINTENANCE SET FS/WHBC 100KW+ELECTR.	64990706				●																	
MAINTENANCE SET FS/WHBC 120-140KW+ELE.	64990707							●	●													
MAINTENANCE SET FS/WHBC 170KW+ELECTR.	64990708									●												
MAINTENANCE SET FS/WHBC 200KW+ELECTR.	64990709										●											
MAINTENANCE SET FS/WHBC 60-70KW+ELECT.	64990705		●	●																		

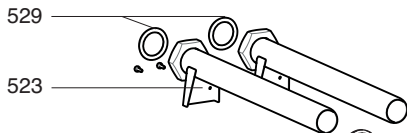
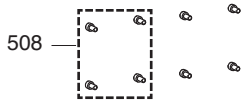
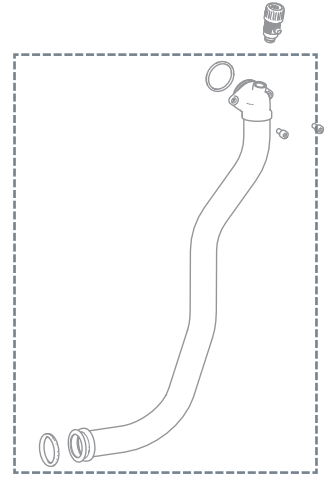
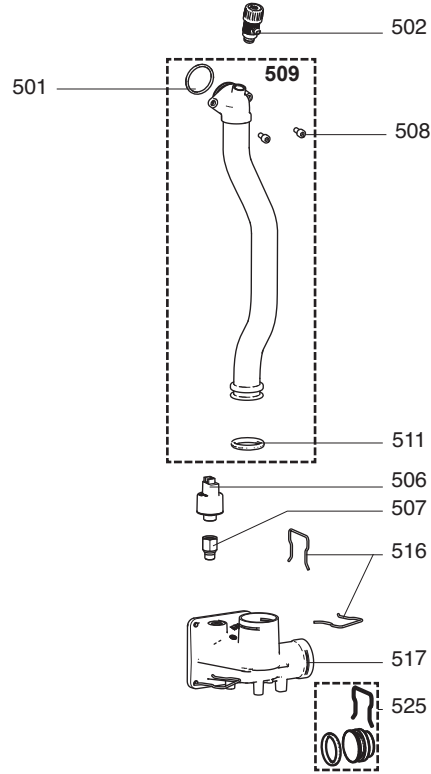
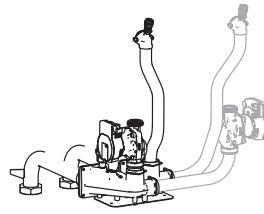


☉⇒	Description	Manf. Pt. N	Type																		
				1	2	3	4	5	6	7	8	9	10	11	12	13	14	15	16	17	18
0150	EXCHANGER BLOCK																				
0151	HEAT EXCHANGER COMPLETE ICONXL-1	64990570						●	●	●											
	HEAT EXCHANGER COMPLETE ICONXL-2	64990571									●										
0152	GASK.HEAT EXCH/TOP PART ICONXL-1	64990572						●	●	●											
	GASK.HEAT EXCH/TOP PART ICONXL-2	64990573																	●		
0153	GASK. BURN./TOP PART HE ICONXL-1	64990574						●	●	●											
	GASK. BURN./TOP PART HE ICONXL-2	64990575																	●		
0154	GASKET FAN/TOP PART H.EX. ICONXL	64990576						●	●	●	●										
0155	FLUE GAS NON RETURN VALVE ICONXL	64990577						●	●	●	●										
0156	TOP PART H.EXCH. ICONXL-1	64990578						●	●	●											
	TOP PART H.EXCH. ICONXL-2	64990579																	●		
0157	FAN ICONXL-1	64990580						●	●	●											
	FAN ICONXL-2	64990581																	●		
0158	BOLT M5X12GR FASE ZSDIN7985 (5X)	64990006						●	●	●	●										
0159	O-RING D63.00X3.00 NBR (2X)	64990583						●	●	●											
	O-RING D70.00X3.00 NBR (2X)	64990584																	●		
0160	FITTING SET GAS VALVE ICON XL	64990585						●	●	●	●										
0161	O-RING D20.30 X2.62 NBR (6X)	64990586						●	●	●	●										
0162	BOLT M 4X12 (3X)	64990587						●	●	●	●										
0163	VENTURI SET 31,5MM ICONXL-1	64990588						●	●	●											
	VENTURI SET 35,0MM ICONXL-2	64990589																	●		
0164	O-RING D32.50 X2.00 NBR (2X)	64990590						●	●		●										
0165	BURNER ICONXL-1	64990591						●	●	●											
	BURNER ICONXL-2	64990592																	●		
0166	CLAMP BAR TOP PART H.EX. ICONXL-1	64990593						●	●	●											
	CLAMP BAR TOP PART H.EX. ICONXL-2	64990594																	●		
0167	IGNITION ELECTRODE + GASKET ICON XL	64990595						●	●	●	●										
0168	IONISATION ELECTRODE + GASKET ICON XL	64990596						●	●	●	●										
0169	SIGHT GLASS + GASKET ICON XL	64990597						●	●	●	●										
0170	GASKET SIGHT GLASS ICON XL	64990598						●	●	●	●										
0171	O-RING D10.77X2.62 IGN.ICON XL (2X)	64990599						●	●	●	●										
0172	O-RING D12.37X2.62 ION.ICON XL (2X)	64990600						●	●	●	●										
0173	GASVALVE ICON XL	64990601						●	●	●	●										
0175	TUBE GAS PRIMARY RIGHT	64990603						●	●	●	●										
0177	TUBE GAS SECONDARY ICONXL 1 RIGHT	64990606						●	●	●											
	TUBE GAS SECONDARY ICONXL 2 RIGHT	64990607																	●		
0178	CLIP QUICK CONNECT GASVALVE WMB	64990538						●	●	●	●										
0179	NTC FLOW 10K	64990076						●	●	●	●										
0180	O-RING Ø5X2 FLOWSSENSOR (5X)	64990017						●	●	●	●										
0181	NTC SENSOR T2/T3 10K	64990075						●	●	●	●										
0182	CATCH STRING HYDRAULICBLOCK	64990211						●	●	●	●										
0184	GASKET GASVALVE ICONXL	64990610						●	●	●	●										
0187	BOLT M5 X 12 IMBUS (3X)	64990129						●	●	●	●										

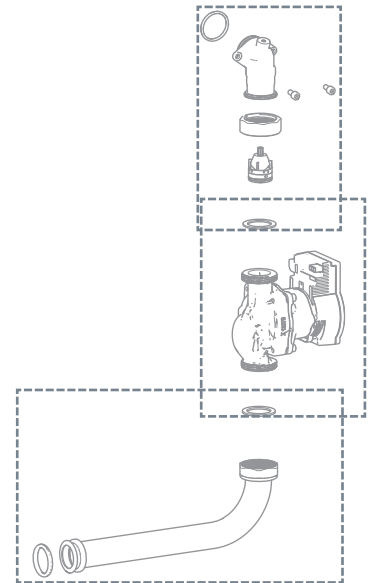
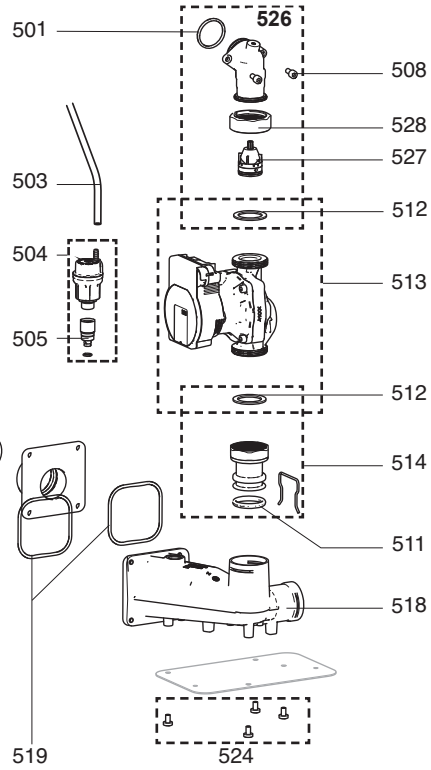




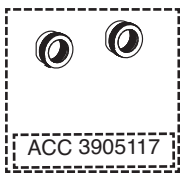
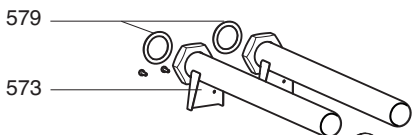
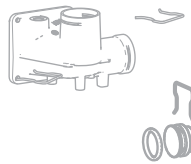
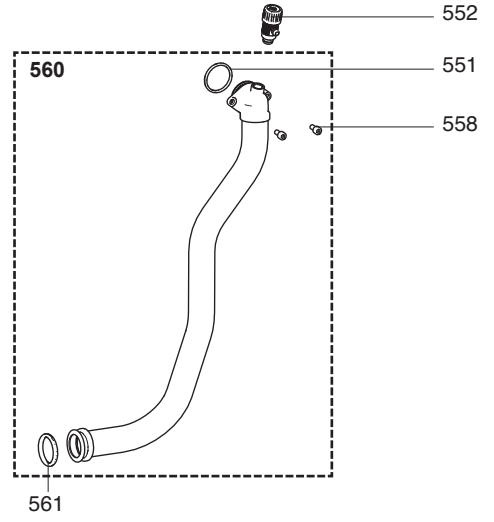
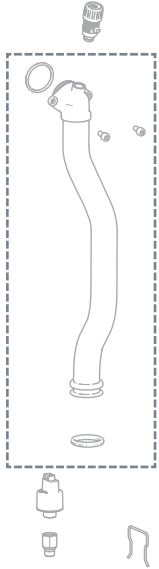
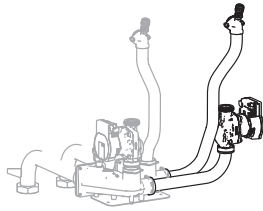
☉⇒	Description	Manf. Pt. N	Type	<div style="text-align: right; border: 1px solid black; padding: 2px;"> <i>TRIGON L PLUS 60</i> <i>TRIGON L PLUS 70</i> <i>TRIGON L PLUS 100</i> <i>TRIGON L PLUS 120</i> <i>TRIGON L PLUS 140</i> <i>TRIGON L PLUS 170</i> <i>TRIGON L PLUS 200</i> </div>																		From	to
				1	2	3	4	5	6	7	8	9	10	11	12	13	14	15	16	17	18		
0300	CHASSIS-FRONT CASE																						
0301	CLAMP RING IN/OUTLET D100	64990628		•	•	•	•	•															
	CLAMP RING IN/OUTLET D130	64990629												•	•								
0302	GASKET FLUEGAS D:100 (3X)	64990239		•	•	•	•	•															
	LIPRING 130 RED	64990631													•	•							
0303	ADAPTER D100/D100	64990632		•	•	•	•	•															
	ADAPTER D130/D130	64990633													•	•							
0304	PLUG MEASUREMENT POINT (2X)	64990166		•	•	•	•	•	•	•													
0305	TOP PANEL DE COMPACT	64990636																					
	TOP PANEL DE STANDARD	64990634														•	•						
	TOP PANEL SE COMPACT	64990637		•	•																		
	TOP PANEL SE STANDARD	64990635														•	•						
0306	MAIN SWITCH 230V	64990638		•	•	•	•	•	•	•													
0307	FRONT PANEL DE	64990640												•	•	•	•						
	FRONT PANEL SE ELCO	64990639		•	•	•																	
0308	PLUG RED D24	64990643		•	•	•	•	•	•	•													
0310	PANEL LEFT SIDE COMPACT	64990647		•	•				•	•													
	PANEL LEFT SIDE STANDARD	64990646														•	•						
0311	PANEL RIGHT SIDE COMPACT	64990649		•	•					•	•												
	PANEL RIGHT SIDE STANDARD	64990648															•	•					
0312	SEALING AIR BOX	64990650		•	•	•	•	•	•	•													
0313	LOCK FRONT PANEL	64990651		•	•	•	•	•	•	•													
0314	WHEEL FSBC (4X)	64990704		•	•	•	•	•	•	•													



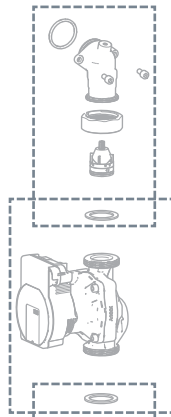
521 520 519



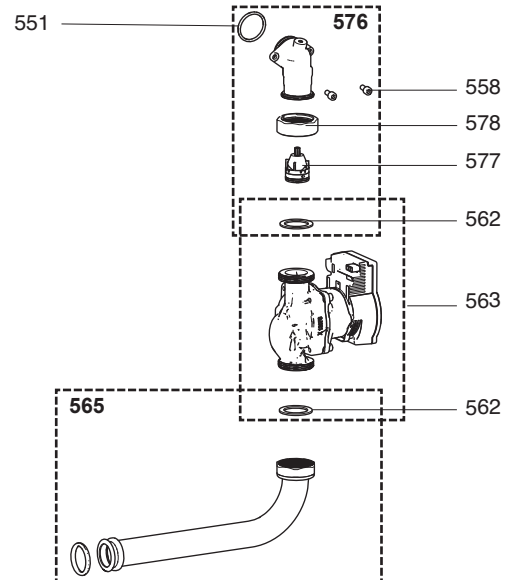
	Description	Manf. Pt. N	Type	<div style="display: flex; justify-content: space-around;"> TRIGON L PLUS 60 TRIGON L PLUS 70 TRIGON L PLUS 100 TRIGON L PLUS 120 TRIGON L PLUS 140 TRIGON L PLUS 170 TRIGON L PLUS 200 </div>																		From	to
				1	2	3	4	5	6	7	8	9	10	11	12	13	14	15	16	17	18		
0500	WATER SECTION ASSY																						
0501	O-RING D36.09X3.53 EPDM (4X)	64990652		•	•	•	•	•	•	•	•	•	•	•	•	•	•	•	•				
0502	MANUAL AIR VENT G1/4IN+GASKET	64990653		•	•	•	•	•	•	•	•	•	•	•	•	•	•	•	•				
0503	TUBE SILICON L=850 MM	64990161		•	•	•	•	•	•	•	•	•	•	•	•	•	•	•	•				
0504	DE-AERATOR ICON XL	64990654		•	•	•	•	•	•	•	•	•	•	•	•	•	•	•	•				
0505	WATER LOCK 3/8 IN FOR BREATHER	64990655		•	•	•	•	•	•	•	•	•	•	•	•	•	•	•	•				
0506	WATERPRESS SENSOR 5V RATIO	64990481		•	•	•	•	•	•	•	•	•	•	•	•	•	•	•	•				
0507	WATERLOCK PRESS.SENSOR	87325900		•	•	•	•	•	•	•	•	•	•	•	•	•	•	•	•				
0508	SCREW M6X12 STAINL.STEEL (3X)	64990510		•	•	•	•	•	•	•	•	•	•	•	•	•	•	•	•				
0509	FLOW PIPE HEX LEFT	64990656		•	•	•	•	•	•	•	•	•	•	•	•	•	•	•	•				
0511	O-RING D34.29X5.33 EPDM (5X)	64990658		•	•	•	•	•	•	•	•	•	•	•	•	•	•	•	•				
0512	PUMP GASKET 2X	64990109		•	•	•	•	•	•	•	•	•	•	•	•	•	•	•	•				
0513	PUMP WILO PARA 25-130/8-75/IPWM1-12	64990659		•	•	•	•	•	•	•	•	•	•	•	•	•	•	•	•				
	PUMP WILO PARA 25-130/9-87/IPWM	64990713				•					•								•				
0514	RETURN PIPE HEX LEFT	64990660		•	•	•	•	•	•	•	•	•	•	•	•	•	•	•	•				
0516	HYDRO TUBE CLIP (4X)	64990662		•	•	•	•	•	•	•	•	•	•	•	•	•	•	•	•				
0517	HYDROBLOC FLOW	64990663		•	•	•	•	•	•	•	•	•	•	•	•	•	•	•	•				
0518	HYDROBLOC RETURN	64990664		•	•	•	•	•	•	•	•	•	•	•	•	•	•	•	•				
0519	O-RING D85.32X3.53 EPDM (2X)	64990665		•	•	•	•	•	•	•	•	•	•	•	•	•	•	•	•				
0520	HYDROBLOC FLANGE	64990666		•	•	•	•	•	•	•	•	•	•	•	•	•	•	•	•				
0521	O-RING D43.82X5.33 EPDM (2X)	64990667		•	•	•	•	•	•	•	•	•	•	•	•	•	•	•	•				
0523	PIPE FLOW/RETURN FSBC CPT	64990671		•	•		•	•															
	PIPE FLOW/RETURN FSBC STD	64990670						•											•				
0524	BOLT M 6X10 CK-PZ (4X)	64990672		•	•	•	•	•	•	•	•	•	•	•	•	•	•	•	•				
0525	BLIND PLUG HYDROBLOC	64990673		•	•	•	•	•	•	•	•	•	•	•	•	•	•	•	•				
0526	CONNECTION PUMP-HEX	64990674		•	•	•	•	•	•	•	•	•	•	•	•	•	•	•	•				
0527	NON-RETURN VALVE OV32HT	64990675		•	•	•	•	•	•	•	•	•	•	•	•	•	•	•	•				
0528	COUPLING NUT 1 1/2 IN BRASS	64990676		•	•	•	•	•	•	•	•	•	•	•	•	•	•	•	•				
0529	GASKET 2IN (2X)	64990677		•	•	•	•	•	•	•	•	•	•	•	•	•	•	•	•				

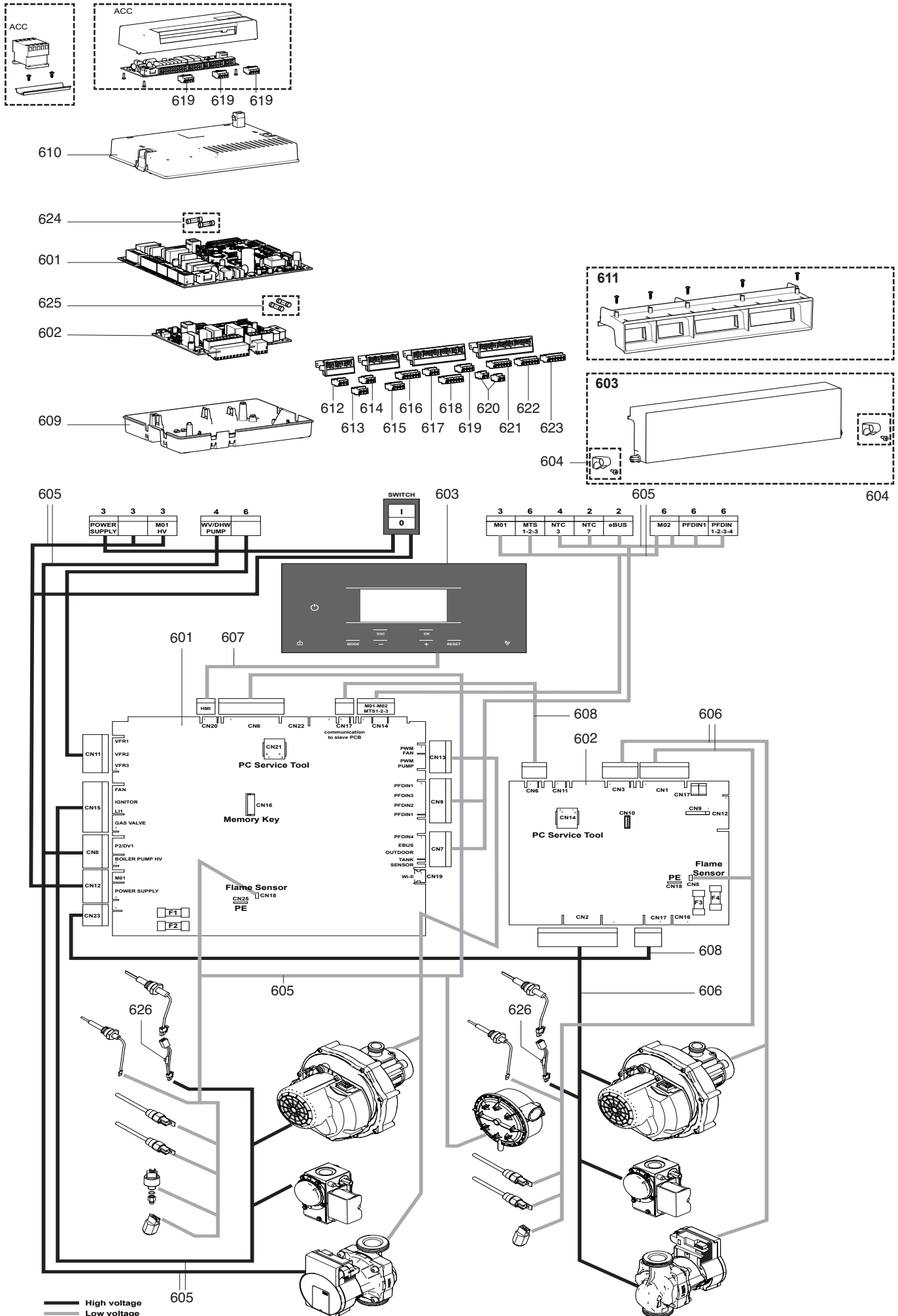


571 570 569



574





LIST OF THE ABBREVIATIONS

HW	: Hot water.
CW	: Cold water.
C	: Ceramic resistance (normal heating).
Ca	: Ceramic resistance (accelerated heating)
TP	: Immersion heater.
1F	: With fittings.
2F	: Without fittings.
3F	: With fittings and another outlet connection.
AMI	: With mixing valve.
SMI	: Without mixing valve.
PUISS	: Power of th appliance.
PN	: Appliance with normal pression.
LP	: Appliance with low pression.
PV	: Appliance with variable power.
PF	: Appliance with fixed power.

IDENTIFICATION PLATE

SERIAL NUMBER

