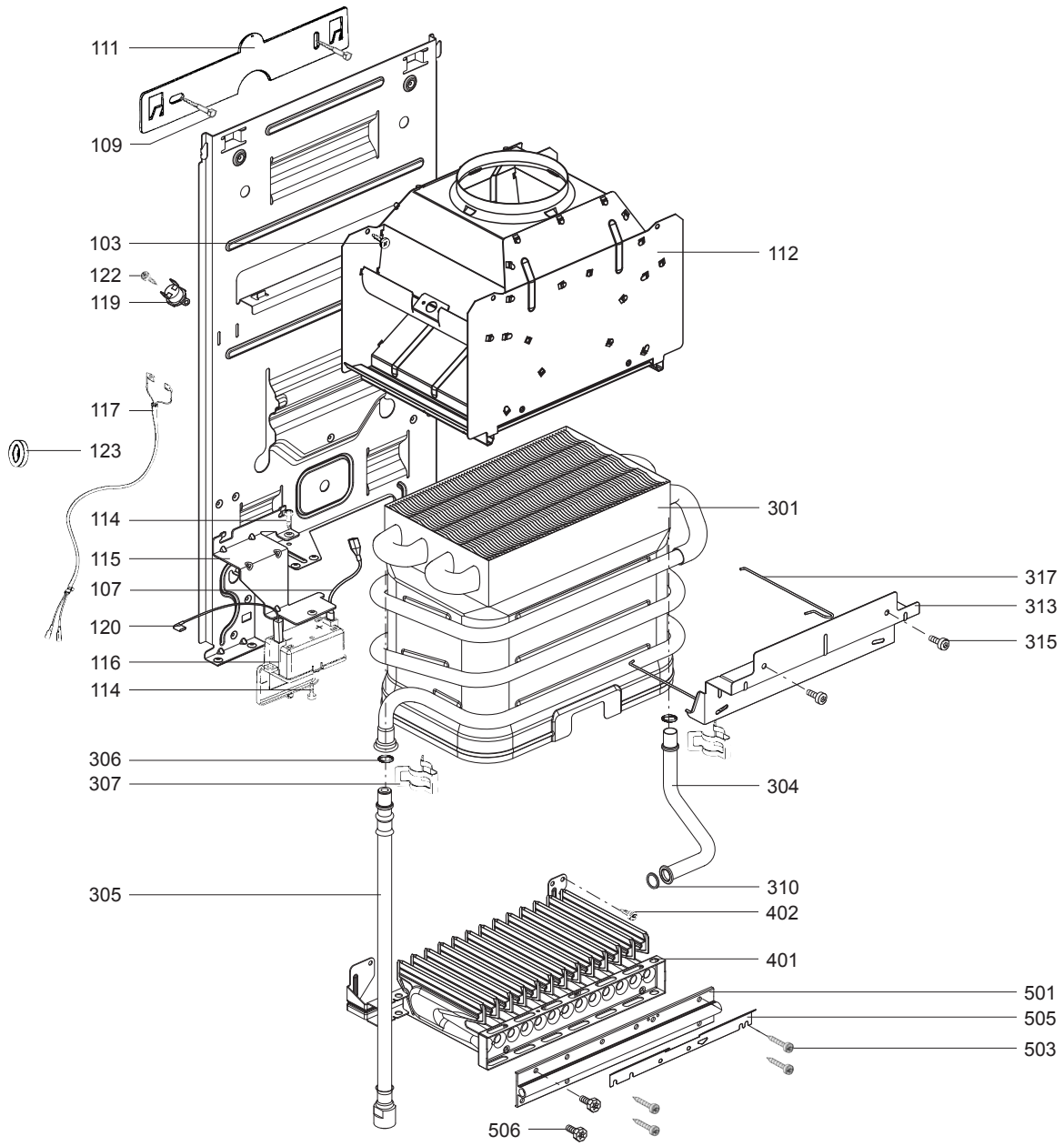



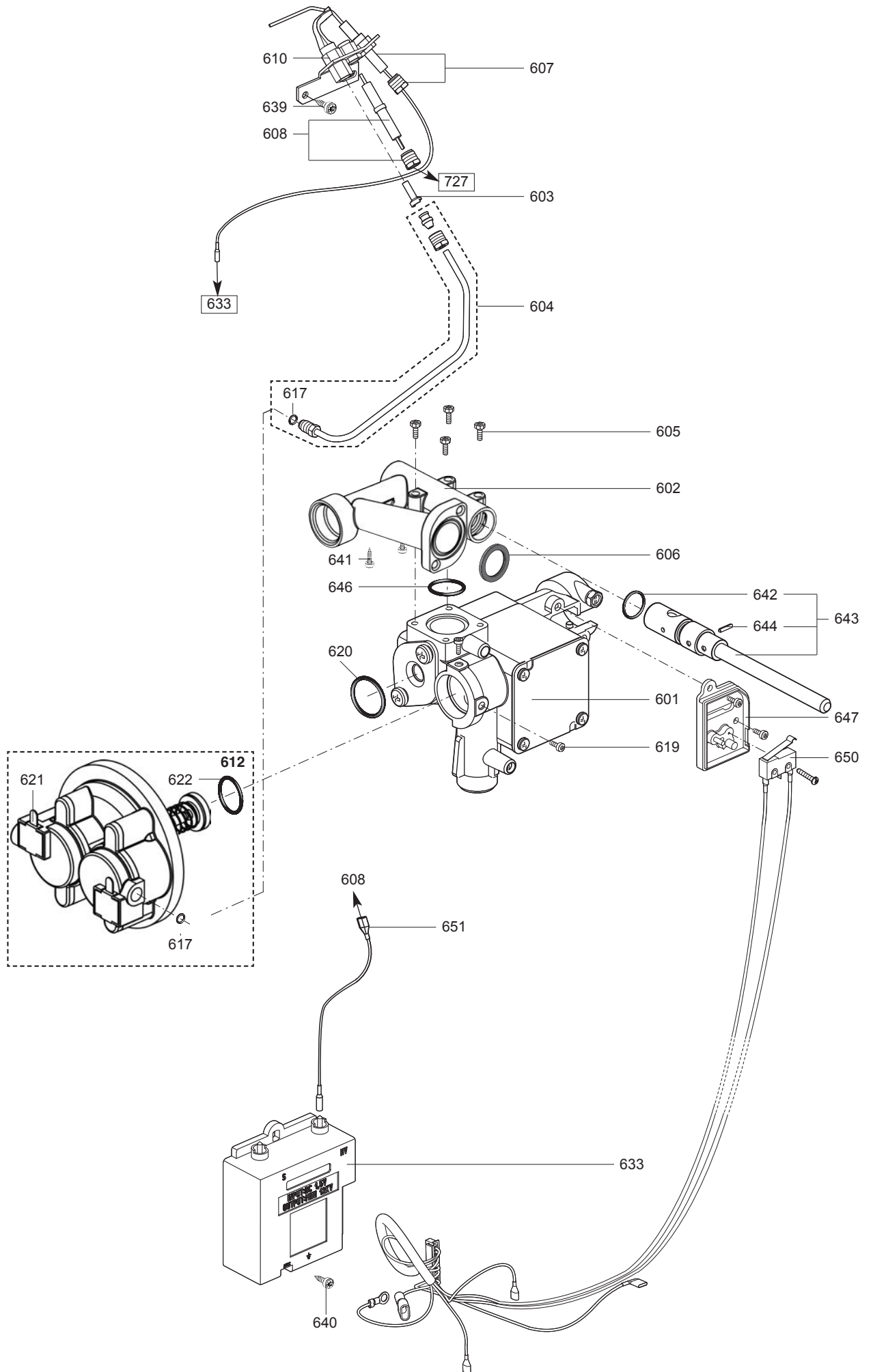
SPARE PARTS EXPLODED VIEW
INSTANTANEOUS GAS WATER HEATERS
Model
FLUENDO E

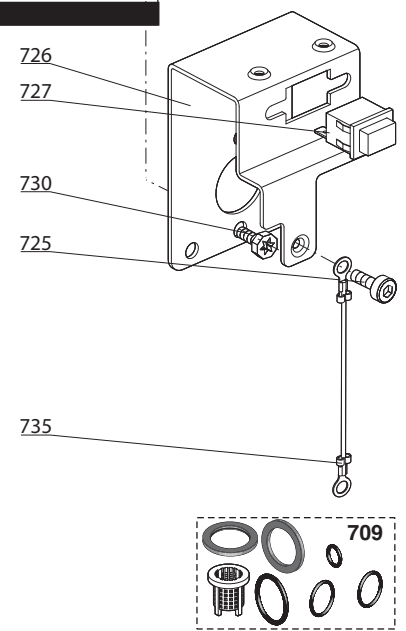
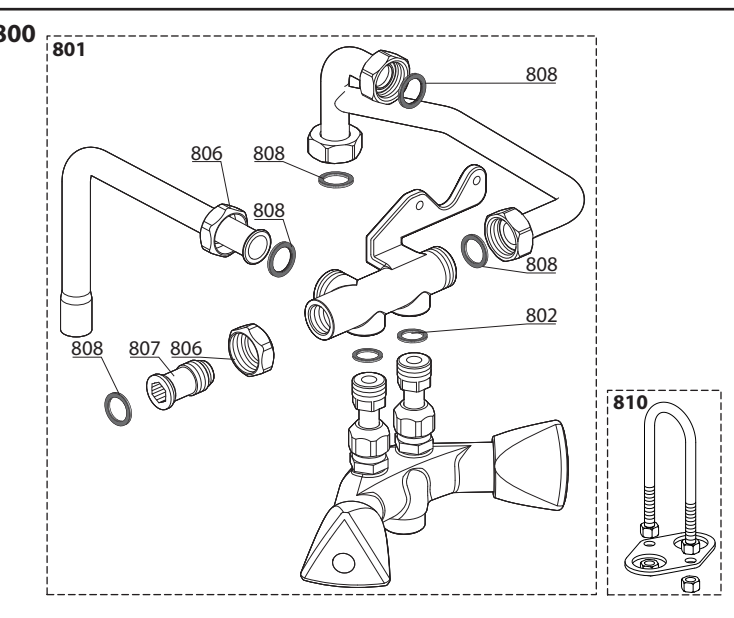
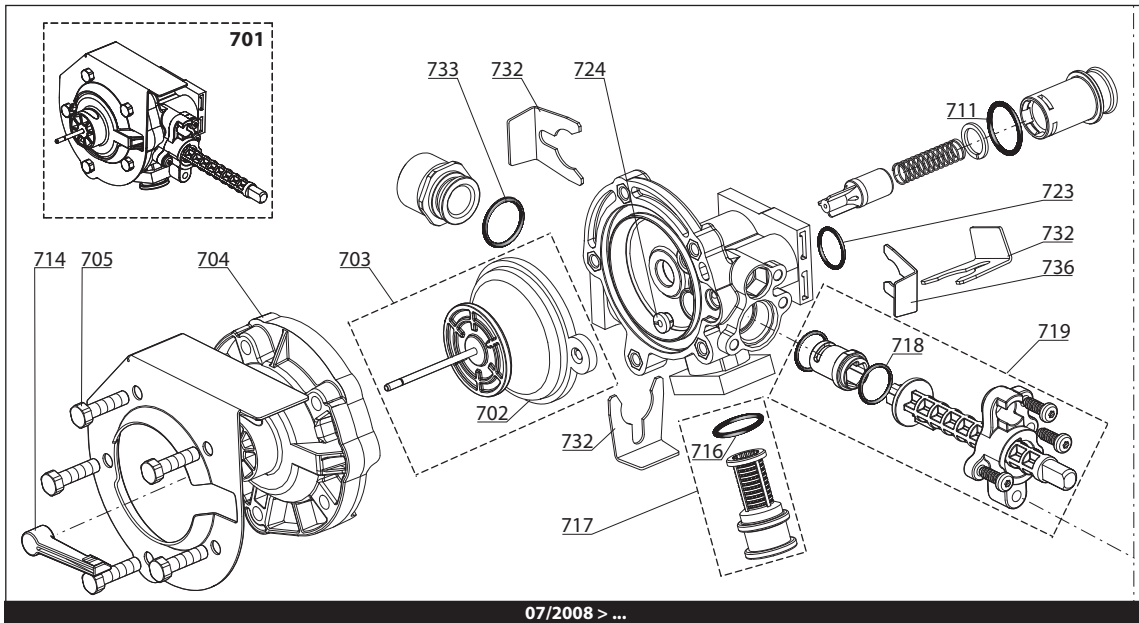
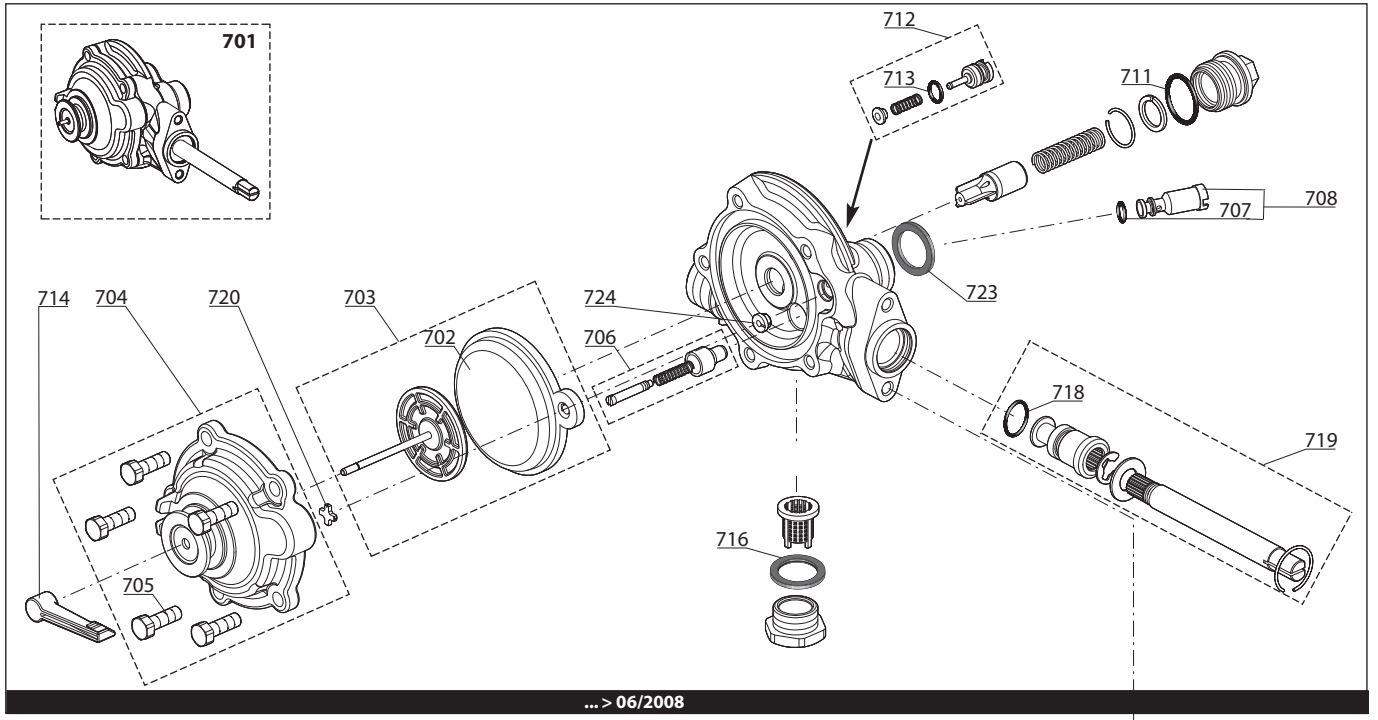
R8203112-06 - 23/05/2016

1	3675055	FLUENDO 11 CF E	04-2007	05-2014
2	3675056	FLUENDO 14 CF E	03-2007	05-2014
Col	Reference	Model type	Begin	End



		Description	Manf. Pt. N	Type	<div style="float: right; border: 1px solid black; padding: 2px;">  31 </div> 1 2 3 4 5 6 7 8 9 10 11 12 13 14 15 16 17 18 From to																	
					1	2	3	4	5	6	7	8	9	10	11	12	13	14	15	16	17	18
0100	CHASSIS																					
0103	TAPPING SCREW CBLX D: 4.2-9.5	61010125			•	•																
0107	CABLE	61304304			•	•																
0109	WOOD SCREW	60025617-03			•	•																
0111	HOOKING BRACKET	61007192			•	•																
0112	DRAUGHT DIVERTER	61312867				•																
	DRAUGHT DIVERTER	61313037				•																
0114	TAPPING SCREW D: 3.5-9.5	61015329			•	•																
0115	FIXING BRACKET	61313896			•	•																
0116	BATTERY BOX	61012714			•	•																
0117	SAFETY CABLE	60000254			•	•																
0119	OVERHEAT THERMOSTAT 135°C	60000256			•	•																
0120	CABLE	61314208			•	•																
0122	TAPPING SCREW CBLZ D: 3.5-6.5	60031521-03			•	•																
0123	FERRITE	61014390			•	•																
0300	HEATING BODY																					
0301	HEATING BODY	61313878-01			•																	
	HEATING BODY	61313901-01				•																
0304	COLD WATER TUBE	60000909				•													06/08			
	COLD WATER TUBE	60001168			•														07/08			
	COLD WATER TUBE	60001169				•													07/08			
	COLD WATER TUBE	61313435			•														06/08			
0305	HOT WATER FLEXIBLE PIPE	61313860			•	•																
0306	O-RING 12.3X2.4	60024164-47			•	•																
0307	CLIP	61001674			•	•																
0310	O-RING 12.3X2.4	60024164-47			•	•													07/08			
	WASHER D: 18.4-12.2-1.5	60061855-14			•	•													06/08			
0313	BEARING PLATE	61312592				•																
	BEARING PLATE	61312812				•																
0315	TAPPING SCREW CBLX D: 4.2-9.5	61010125			•	•																
0317	FASTENER	61315211			•	•																
0400	BURNER HEAD																					
0401	BURNER HEAD	60000268				•																
	BURNER HEAD	61313219				•																
0402	TAPPING SCREW CBLX D: 4.2-9.5	61010125			•	•																
0500	MANIFOLD																					
0501	MANIFOLD 13 INJ. G20	60000345		NAT	•																	
	MANIFOLD 16 INJ. G20	60000347		NAT		•																
0503	TAPPING SCREW CBLX D: 4.2-25	61010128			•	•																
0505	DEFLECTOR	61314788			•	•																
0506	SCREW HX M 5-12	61010131			•	•																





FLUENDO 11 CFE
FLUENDO 14 CFE

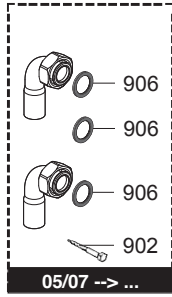
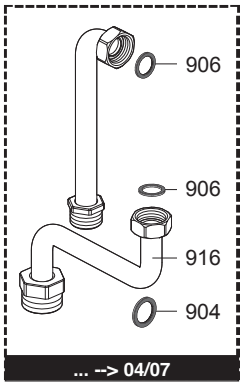
31

☉⇒	Description	Manf. Pt. N	Type	FLUENDO 11 CFE / FLUENDO 14 CFE																		From	to
				1	2	3	4	5	6	7	8	9	10	11	12	13	14	15	16	17	18		
0700	WATER SECTION ASSY																						
0701	WATER SECTION	60001039		•																07/08			
	WATER SECTION	60001040			•															07/08			
	WATER SECTION	61313094		•																	06/08		
	WATER SECTION	61313095			•																06/08		
0702	DIAPHRAGM	61316184		•	•																		
0703	WATER SECTION REPAIR KIT	61400383		•	•																		
0704	COVER	61400386		•	•																06/08		
0705	SCREW H M 5-16	61316211		•	•																06/08		
	SCREW M 5-19	60001041		•	•															07/08			
0706	WATER THROTTLE ASSY	61400382		•	•															11/05	06/08		
0707	O-RING 3.4X1.8	61316255		•	•																		
0708	VENTURI	61400387		•	•																06/08		
0709	WATER SECTION GASKETS KIT	61400390		•	•																		
0711	O-RING 13.94X2.62	61316176		•	•																06/08		
	O-RING 15.54X2.62	60001166		•	•															07/08			
0712	BY-PASS VALVE KIT	61316253		•	•																06/08		
0713	O-RING 5.5X1.8	61316224		•	•																		
0714	OPERATING LEVER	61316247		•	•																		
0716	O-RING 13.94X2.62	61316176		•	•																07/08		
	SHEET GASKET D: 21-16-1.5	61316207		•	•																06/08		
0717	PLUG KIT	60001159		•	•															07/08			
0718	O-RING 12X2	60001162		•	•															07/08			
	O-RING 9.5X1.5	61316254		•	•																06/08		
0719	TEMPERATURE SELECTOR ASSY	60001160		•	•															07/08			
	TEMPERATURE SELECTOR ASSY	61400388		•																	06/08		
	TEMPERATURE SELECTOR ASSY	61400389			•																06/08		
0720	VALVE	61316182		•	•																		
0723	O-RING 12.3X2.4	60024164-47		•	•															07/08			
	WASHER D: 18.4-12.2-1.5	60061855-14		•	•																06/08		
0724	SLOW IGNITION DEVICE	61316206		•	•																		
0725	TAPPING SCREW CBLX D: 4.2-25	61010128		•	•																		
0726	SUPPORT BRACKET	61313507		•	•																		
0727	BUTTON	61314081		•	•																		
0730	SCREW CBLXS M 5-12	61301928		•	•															07/08			
	SCREW HSX M 5-8	61302631		•	•																06/08		
0732	CLIP	60001163		•	•																		
0733	O-RING 13.94X2.62	61316176		•	•																		
0735	EARTH WIRE	60001171		•	•																		
0736	CLIP	60001170		•	•																		
0800	MIXING BATTERY																						
0801	MIXING BATTERY	60000030		•	•																		
0802	SHEET GASKET D: 14.8-10.3-1.5	60061854-11		•	•																		
0806	NUT 1/2» H=10	60020747-38		•	•																		
0807	COLD WATER CONNECTION	60037186		•	•																		
0808	WASHER D: 18.4-12.2-1.5	60061855-14		•	•																		
0810	KIT BEARING MIXING BATTERY	60001311		•	•																		

FLUENDO E

Instantaneous Gas Water Heaters

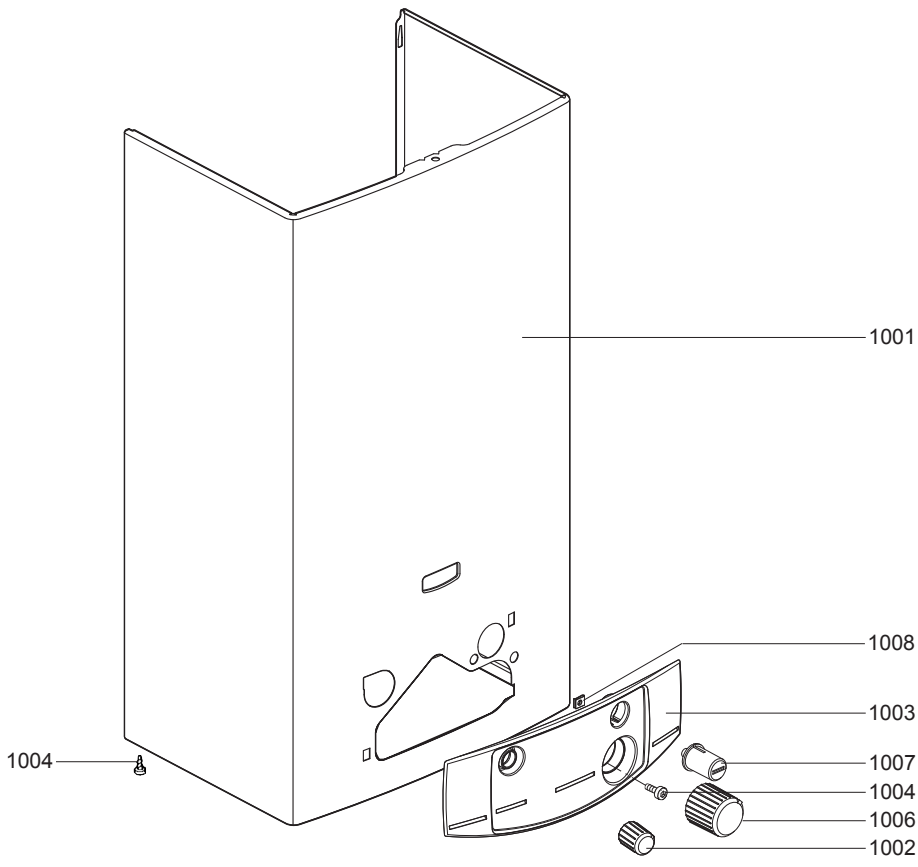
900



1000

FLUENDO E

Instantaneous Gas Water Heaters



FLUENDO 11 CFE
FLUENDO 14 CFE



☉→	Description	Manf. Pt. N	Type	FLUENDO 11 CFE / FLUENDO 14 CFE																		From	to	
				1	2	3	4	5	6	7	8	9	10	11	12	13	14	15	16	17	18			
0900	JIG PLATE & PIPE FITTING																							
0902	WOOD SCREW	60025617-03		●	●																			
0904	SHEET GASKET D: 23.8-14.4-1.5	60061855-18		●	●																			
0906	WASHER D: 18.4-12.2-1.5	60061855-14		●	●																			
0916	GAS TUBE	60000048		●	●																			
1000	FRONT CASE																							
1001	FRONT CASE	61313208			●																			
	FRONT CASE	61313207		●																				
1002	GAS CONTROL KNOB	61313891		●	●																			
1003	FACIA	61313888		●	●																			
1004	TAPPING SCREW CBLX D: 4.2-9.5	61010125		●	●																			
1006	TEMPERATURE SELECTOR KNOB	61313782		●	●																			
1007	IGNITOR CONTROL KNOB	61313892		●	●																			
1008	CLIP	60074999		●	●																			

LIST OF THE ABBREVIATIONS

HW	: Hot water.
CW	: Cold water.
C	: Ceramic resistance (normal heating).
Ca	: Ceramic resistance (accelerated heating)
TP	: Immersion heater.
1F	: With fittings.
2F	: Without fittings.
3F	: With fittings and another outlet connection.
AMI	: With mixing valve.
SMI	: Without mixing valve.
PUISS	: Power of th appliance.
PN	: Appliance with normal pression.
LP	: Appliance with low pression.
PV	: Appliance with variable power.
PF	: Appliance with fixed power.

IDENTIFICATION PLATE

SERIAL NUMBER

10 Characters :	04 05 125 011	Sequential number
		Manufacturing day
		Year of manufacture
11 Characters :	1 95 065004 - 31	Technical number of the appliance
Month of manufacture : from 1 to 9 → Jan. to Sep., O → Oct., N → Nov., D → Dec.		Sequential number
		Year of manufacture
19 Characters :	08 05 0013199 900640031	Product reference
Year of manufacture		Sequential number
Month of manufacture		
20 Characters :	3675007 XX 2 07 070 00315	Sequential number
Product reference		Manufacturing day
Millenium of manufacture		Year of manufacture
21 Characters :	3675007 XX 07 070 0000315	Sequential number
Product reference		Manufacturing day
Year of manufacture		