



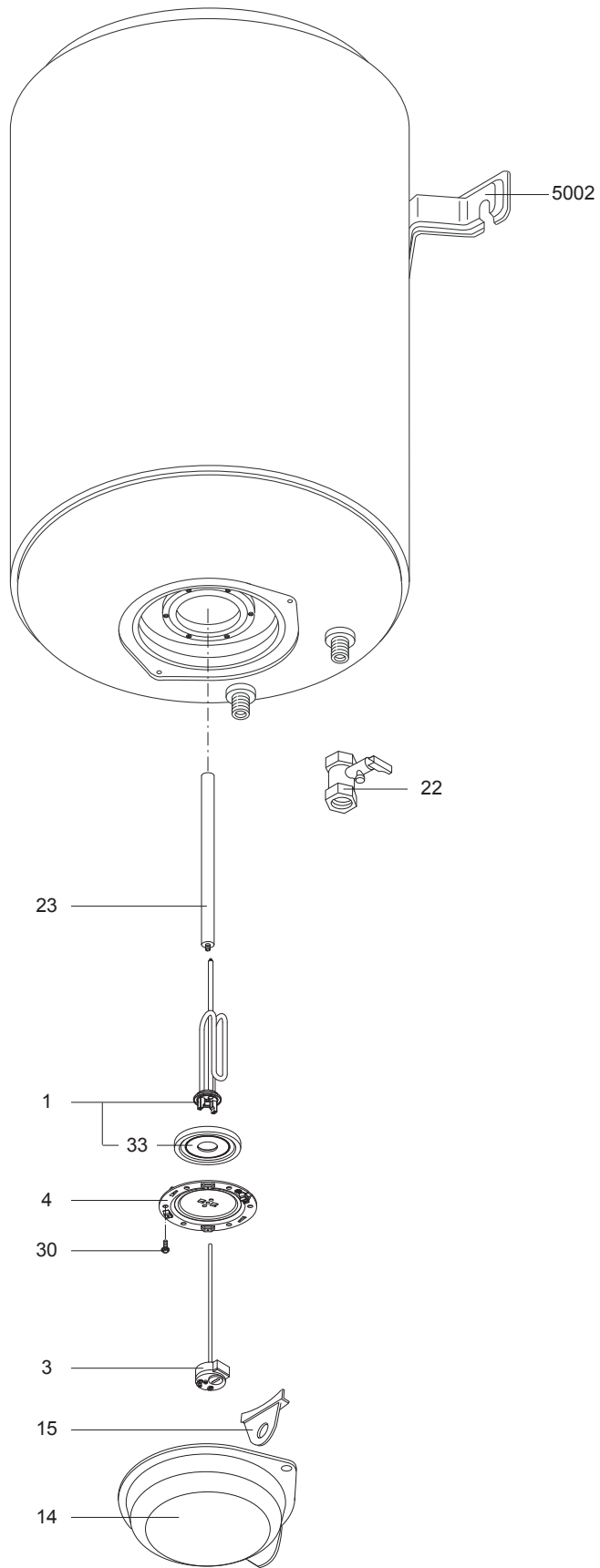
SPARE PARTS EXPLODED VIEW  
STORAGE ELECTRIC WATER HEATERS  
Model  
**VERTICAL**

R8203400-01 - 02/09/2013

VERTICAL

Storage Electric Water Heaters

1	3000291	ARI 200 VERT 505 THER MO SF	09-2013	-
Col	Reference	Model type	Begin	End





## LIST OF THE ABBREVIATIONS

HW .....	: Hot water.
CW .....	: Cold water.
C .....	: Ceramic resistance (normal heating).
Ca .....	: Ceramic resistance (accelerated heating)
TP .....	: Immersion heater.
1F .....	: With fittings.
2F .....	: Without fittings.
3F .....	: With fittings and another outlet connection.
AMI .....	: With mixing valve.
SMI .....	: Without mixing valve.
PUISS .....	: Power of th appliance.
PN .....	: Appliance with normal pression.
LP .....	: Appliance with low pression.
PV .....	: Appliance with variable power.
PF .....	: Appliance with fixed power.

## IDENTIFICATION PLATE

### SERIAL NUMBER

**9 Characters :** 07 91 00301 (from 01/77 to 12/92)

Month of manufacture \_\_\_\_\_ Sequential number  
Year of manufacture \_\_\_\_\_

**10 Characters :** 95 01 065004 (from 01/93 to 06/95)

Year of manufacture \_\_\_\_\_ Sequential number  
Month of manufacture \_\_\_\_\_

**OU**

**10 Characters :** 01 95 065004 (from 07/95)

Month of manufacture \_\_\_\_\_ Sequential number  
Year of manufacture \_\_\_\_\_

**12 Characters :** 924 2 3 134 0115

Product reference \_\_\_\_\_ Sequential number  
Year of manufacture \_\_\_\_\_ Manufacturing day

**15 ou 16 Characters :** (0)03 070 0001 893077 (from 01/97 to 01/05)

Year of manufacture \_\_\_\_\_ Product reference  
Day of manufacture \_\_\_\_\_ Sequential number

**OU**

**16 Characters :** 05 070 0001 0000000 (from 02/05)

Year of manufacture \_\_\_\_\_ Product reference  
Day of manufacture \_\_\_\_\_ Sequential number

**17 Characters :** 07 070 00315 3070107

Year of manufacture \_\_\_\_\_ Product reference  
Sequential number  
Manufacturing day (70)

**21 Characters :** 3000115 XX 08115 0000001

Product reference \_\_\_\_\_ Sequential number  
Year (08) / Manufacturing day (115)

**22 Characters :** 3000115 XX 070416 0000001

Product reference \_\_\_\_\_ Sequential number  
Year (07) / Month (04) / Manufacturing day (16)