

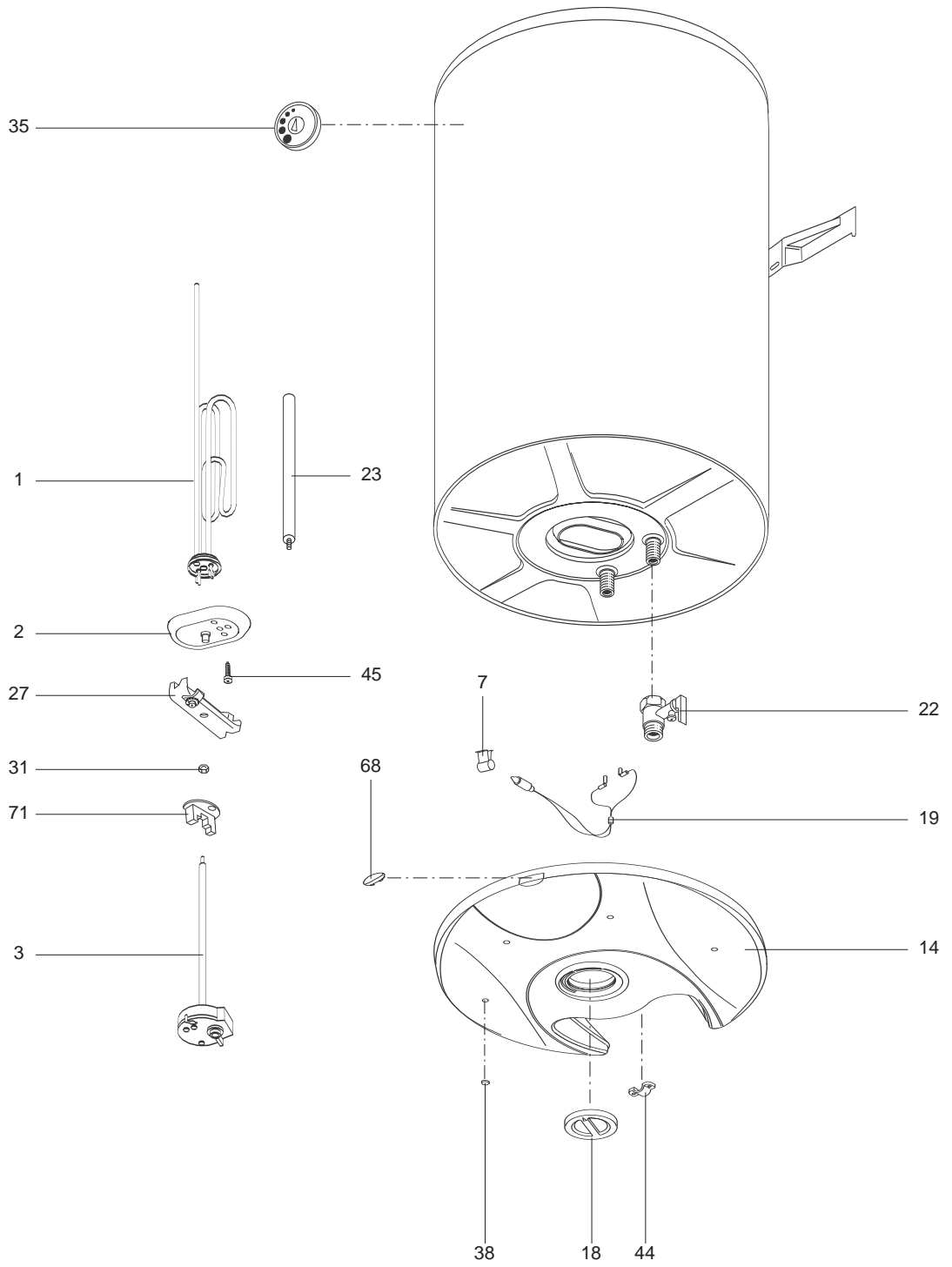
SPARE PARTS EXPLODED VIEW STORAGE ELECTRIC WATER HEATERS

Model

SGHP V

R8215206-06EN - Edition 06 - 20/01/2009

| 370 4006 | | SGHP 30 V SLIM | ... | ... |
|-----------|------|-----------------|-------|-----|
| 370 0076 | | SGHP 40 V SLIM | ... | ... |
| 370 0007 | | SGHP 50 V (SP) | ... | ... |
| 370 0005 | | SGHP 50 V SLIM | ... | ... |
| 370 0006 | | SGHP 65 V SLIM | ... | ... |
| 370 0008 | | SGHP 80 V (SP) | ... | ... |
| 370 0035 | | SGHP 80 V SLIM | ... | ... |
| 370 0009 | | SGHP 100 V (SP) | ... | ... |
| 370 0071 | | SGHP 120 V | ... | ... |
| 370 0072 | | SGHP 150 V | ... | ... |
| Reference | Ind. | Model type | Begin | End |



| Key N | Description | Manf. Pt. N | Type | | | | | | | | | | | Manf. date | | | | | |
|-------|---|-------------|------|-----|-----|-----|-----|-----|-----|-----|-----|-----|-----|------------|-----|-------|-------|------|----|
| | | | | 30 | | 40 | | 50 | | 65 | | 80 | | 100 | | 120 | | 150 | |
| | | | | Sim | Sim | Sim | Sim | Sim | Sim | Sim | Sim | Sim | Sim | Sim | Sim | Sim | Sim | from | to |
| 0001 | НАГРЕВАТЕЛЬНЫЙ ЭЛЕМЕНТ 1800W 230V | 65103481 | | | | | | | | | | | | | | | | | |
| | НАГРЕВАТЕЛЬНЫЙ ЭЛЕМЕНТ 1500W 230V | 816616 | | • | • | • | • | • | • | • | • | • | • | • | | | | | |
| 0002 | ФЛАНЕЦ С ПРОКЛАДКОЙ | 65103691 | | • | • | • | • | • | • | • | • | • | • | • | | | 12/08 | | |
| | ФЛАНЕЦ С ПРОКЛАДКОЙ | 65108275 | | • | • | • | • | • | • | • | • | • | • | • | | 01/09 | | | |
| 0003 | ТЕРМОСТАТ | 65104527 | | • | • | | • | • | | • | | | | | | | | | |
| | ТЕРМОСТАТ | 691217 | | | | | • | | | • | | • | • | • | | | | | |
| 0007 | КРОНШТЕЙН ИНДИКАТОРНОЙ ЛАМПЫ | 570179 | | | | | • | | | • | | • | • | • | | | | | |
| 0014 | КРЫШКА ПЛАСТИКОВАЯ | 65102780 | | | | | • | | | • | | • | • | • | | | | | |
| | КРЫШКА ПЛАСТИКОВАЯ | 976704 | | • | • | | • | • | | • | | | | | | | | | |
| 0018 | РУЧКА РЕГУЛИРОВАНИЯ | 992135 | | • | • | • | • | • | • | • | • | • | • | • | | | | | |
| 0019 | ИНДИКАТОРНАЯ ЛАМПА | 993025 | | • | • | • | • | • | • | • | • | • | • | • | | | | | |
| 0022 | ПРЕДОХРАНИТЕЛЬНЫЙ КЛАПАН (1/2" 8,5 БАР) | 571730 | | • | • | • | • | • | • | • | • | • | • | • | | | | | |
| 0023 | МАГНИЕВЫЙ АНОД D:25,5 L:135,5 M5 | 919004 | | • | • | | • | • | | • | | | | | | | | | |
| | МАГНИЕВЫЙ АНОД D:25,5 L:230 M5 | 993014 | | | | | • | | | • | | • | • | • | | | | | |
| 0027 | СКОБА ФЛАНЦА | 993011 | | • | • | • | • | • | • | • | • | • | • | • | | | | | |
| 0031 | ГАЙКА M8 | 570127 | | • | • | • | • | • | • | • | • | • | • | • | | | | | |
| 0035 | ТЕРМОМЕТР | 65104309 | | | | | • | | | • | | • | • | • | | | | | |
| | ТЕРМОМЕТР | 65150436 | | • | • | | • | • | | • | | | | | | | | | |
| 0038 | ЗАГЛУШКА | 992133 | | • | • | • | • | • | • | • | • | • | • | • | | | | | |
| 0044 | ЗАЖИМ ДЛЯ КАБЕЛЯ | 573266 | | • | • | • | • | • | • | • | • | • | • | • | | | | | |
| 0045 | ВИНТ M6X12 | 993000 | | • | • | • | • | • | • | • | • | • | • | • | | | | | |
| 0068 | КРЫШКА ИНДИКАТОРНОЙ ЛАМПЫ | 65103799 | | | | | • | | | • | | • | • | • | | | | | |
| | КРЫШКА ИНДИКАТОРНОЙ ЛАМПЫ | 976701 | | • | • | | • | • | | • | | | | | | | | | |
| 0071 | ИЗОЛЯТОР КЛЕММ ТЭНА (YELLOW) | 65103482 | | | | | | | | | | | • | • | | | | | |
| | ИЗОЛЯТОР КЛЕММ ТЭНА (NEUTRAL) | 993010 | | • | • | • | • | • | • | • | • | • | | | | | | | |

LIST OF THE ABBREVIATIONS

| | |
|-------------|--|
| HW | : Hot water. |
| CW | : Cold water. |
| C | : Ceramic resistance (normal heating). |
| Ca | : Ceramic resistance (accelerated heating) |
| TP | : Immersion heater. |
| 1F | : With fittings. |
| 2F | : Without fittings. |
| 3F | : With fittings and another outlet connection. |
| AMI | : With mixing valve. |
| SMI | : Without mixing valve. |
| PUISS | : Power of th appliance. |
| PN | : Appliance with normal pression. |
| LP | : Appliance with low pression. |
| PV | : Appliance with variable power. |
| PF | : Appliance with fixed power.. |

IDENTIFICATION PLATE

SERIAL NUMBER

Ex: 03 09 08 (Until 12/06)
 Manufacturing day
 Month of manufacture : from 1 to 12 → January to December
 Year of manufacture

OR
 Ex: 02 11 00001 007843
 Product reference
 Sequential number
 Month of manufacture
 Year of manufacture

Ex: 3200050 XX 070115 0000001 (From 01/07)
 Sequential number
 Year (07) / Month (01) / Manufacture day (15)
 Product reference

The indications mentioned on the prices, commercial or technical literature and the scheme are written for your guidance and are available at a given time. The CONSTRUCTOR retains the power to modify the presentation, the form, the size, the conception or the material of the products.