



SPARE PARTS EXPLODED VIEW STORAGE ELECTRIC WATER HEATERS

Model

SI 150/200/300 T 3KW

R8216863-03 - 05/12/2014

EN- This exploded view refers to the last version of the products.

Spare parts for holder versions are no more available.

FR- Cette vue éclatée fait référence à la dernière version des produits.

Les pièces de rechange pour les versions précédentes ne sont pas disponibles

IT- Questo esploso fa riferimento all'ultima versione dei prodotti.

I ricambi per le precedenti versioni non sono disponibili.

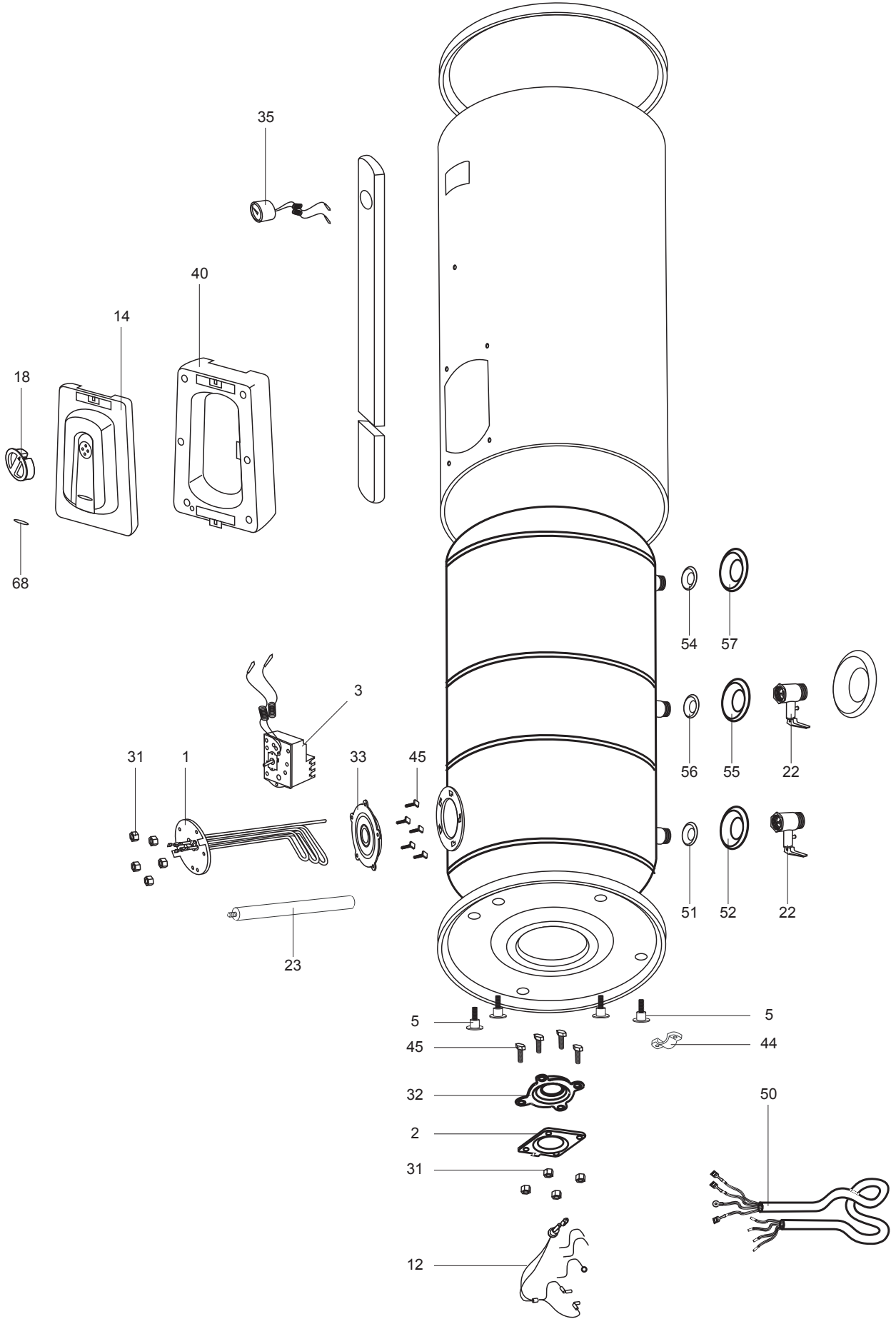
ES- Este explosionado se refiere a la última versión de los productos.

Los recambios de las versiones anteriores no están disponibles.

DE- Diese technische Zeichnung bezieht sich auf die letzte Version des Produktes.

Die Ersatzteile der alten Versionen sind nicht mehr erhältlich.

1	506456	SI 150 T 3KW	12-2003	07-2011
1	0506456	SI 150 T 3KW	12-2003	07-2011
1	3810074	SI 150 T 3KW	01-2007	08-2011
1	3801823	SI 150 T 3KW	09-2011	-
2	506457	SI 200 T 3KW	12-2003	12-2006
2	3810075	SI 200 T 3KW	01-2007	08-2011
2	3801825	SI 200 T 3KW	09-2011	-
3	506458	SI 300 T 3KW	12-2003	02-2008
3	3810076	SI 300 T 3KW	01-2007	08-2011
3	3801827	SI 300 T 3KW	09-2011	-
Col	Reference	Model type	Begin	End



☺⇒	Description	Manf. Pt. N	Type																			From	to														
				1	2	3	4	5	6	7	8	9	10	11	12	13	14	15	16	17	18																
0001	НАГРЕВАТЕЛЬНЫЙ ЭЛЕМЕНТ 3X1000W 230V	816092		●	●	●																															
0002	ФЛАНЕЦ НА 4 БОЛТАХ	65160119		●	●	●																															
0003	ТЕРМОСТАТ	65100360		●	●	●																															
0005	НОЖКИ-ОПОРЫ	65160117		●	●	●																															
0012	ИНДИКАТОРНАЯ ЛАМПА + КАБЕЛИ	065160122		●	●	●																															
0014	КРЫШКА ПЛАСТИКОВАЯ	065160474		●	●	●																															
0018	РУЧКА РЕГУЛИРОВАНИЯ	65160112		●	●	●																															
0022	ПРЕДОХРАНИТЕЛЬНЫЙ КЛАПАН (3/4" 6,5 БАР)	60001310		●	●	●																															
0023	МАГНИЕВЫЙ АНОД D:25,5 L:230 M5-M8	993014-01		●	●	●																															
0031	ГАЙКА M6	994140		●	●	●																															
0032	ПРОКЛАДКА ФЛАНЦА НА 4 БОЛТАХ	065160118		●	●	●																															
0033	ПРОКЛАДКА ФЛАНЦА D.75	571312		●	●	●																															
0035	ТЕРМОМЕТР	260111		●	●	●																															
0040	ГОРЛОВИНА	065160487		●	●	●																															
0044	ЗАЖИМ ДЛЯ КАБЕЛЯ	0508035		●	●	●																															
0045	ВИНТ M6X22	0868335		●	●	●																															
0050	КАБЕЛЬ ПИТАНИЯ БЕЗ ВИЛКИ	065160163		●	●	●																															
0051	КОЛЬЦО ПЛАСТИКОВОЕ СИНЕЕ 3/4"	065160476		●	●	●																															
0052	КОЛЬЦО ПЛАСТИКОВОЕ СИНЕЕ	065160479		●	●	●																															
0054	КОЛЬЦО ПЛАСТИКОВОЕ КРАСНОЕ 3/4"	065160477		●	●	●																															
0055	КОЛЬЦО ПЛАСТИКОВОЕ ЧЕРНОЕ	065160481		●																																	
0056	КОЛЬЦО ПЛАСТИКОВОЕ ЧЕРНОЕ 3/4"	065160478		●																																	
0057	КОЛЬЦО ПЛАСТИКОВОЕ КРАСНОЕ	065160480		●	●	●																															
0068	КРЫШКА ИНДИКАТОРНОЙ ЛАМПЫ	065160486		●	●	●																															

SI 150/200/300 T 3KW

Storage Electric Water Heaters

LIST OF THE ABBREVIATIONS

HW	: Hot water.
CW	: Cold water.
C	: Ceramic resistance (normal heating).
Ca	: Ceramic resistance (accelerated heating)
TP	: Immersion heater.
1F	: With fittings.
2F	: Without fittings.
3F	: With fittings and another outlet connection.
AMI	: With mixing valve.
SMI	: Without mixing valve.
PUISS	: Power of th appliance.
PN	: Appliance with normal pression.
LP	: Appliance with low pression.
PV	: Appliance with variable power.
PF	: Appliance with fixed power.

IDENTIFICATION PLATE

SERIAL NUMBER

6 Characters :
 Year of manufacture 03 09 08
 Manufacturing day
 Month of manufacture

9 Characters :
 Year of manufacture M 12 10 0606
 Month of manufacture
 Sequential number

14 Characters :
 SI-V-0B0 45 07 0001
 Sequential number
 Year of manufacture : → 6 → 2004
 Month of manufacture : → 25 → January 43 → July 7 → 2005
 13 → February 29 → August 8 → 2006
 32 → March 40 → September etc ...
 35 → April 38 → October
 39 → May 51 → November
 45 → June 12 → December

15 Characters :
 Year of manufacture 02 11 00001 007843
 Month of manufacture
 Code appareil
 Sequential number

21 Characters :
 Product reference 3200050 XX 08115 0000001
 Sequential number
 Year (08) / Manufacturing day (115)

22 Characters :
 Product reference 3200050 XX 070115 0000001
 Sequential number
 Year (07) / Month (01) / Manufacturing day (15)

The indications mentioned on the prices, commercial or technical literature and the scheme are written for your guidance and are available at a given time. The CONSTRUCTOR retains the power to modify the presentation, the form, the size, the conception or the material of the products.