



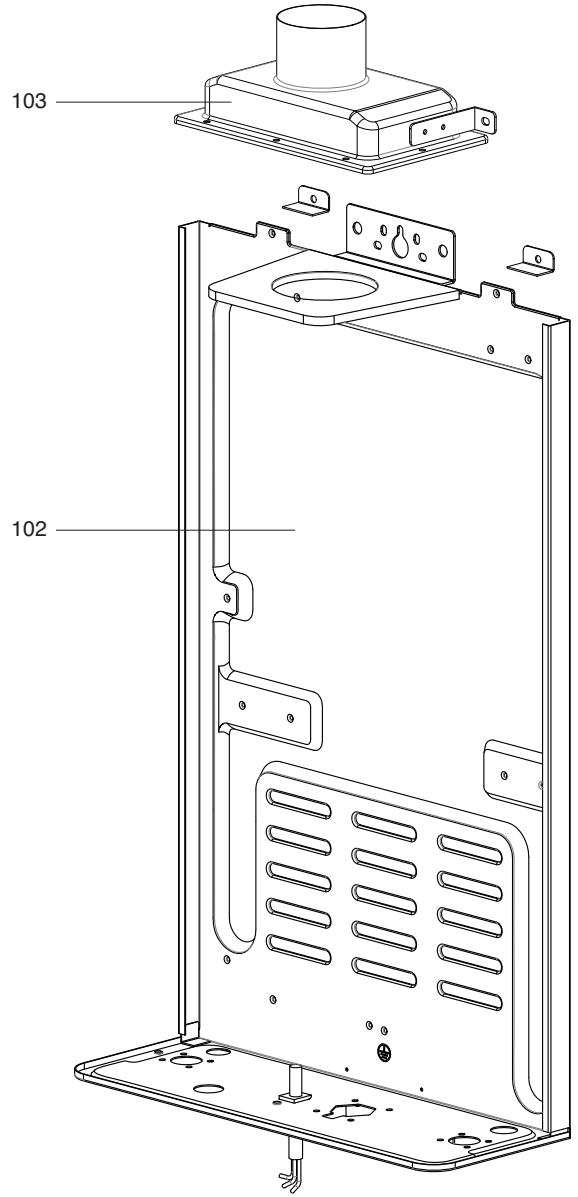
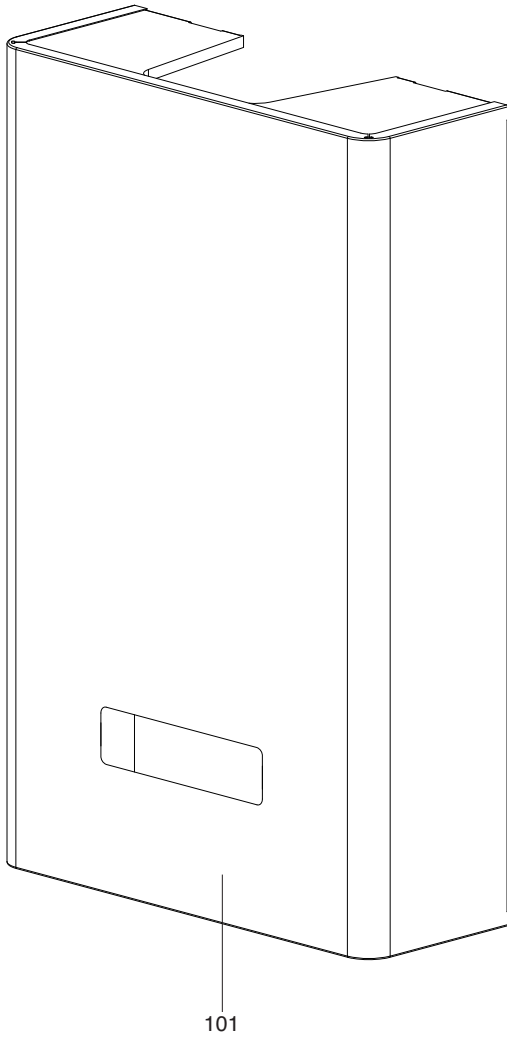
SPARE PARTS EXPLODED VIEW
INSTANTANEOUS GAS WATER HEATERS
Model
MARCO POLO GI7S FFI

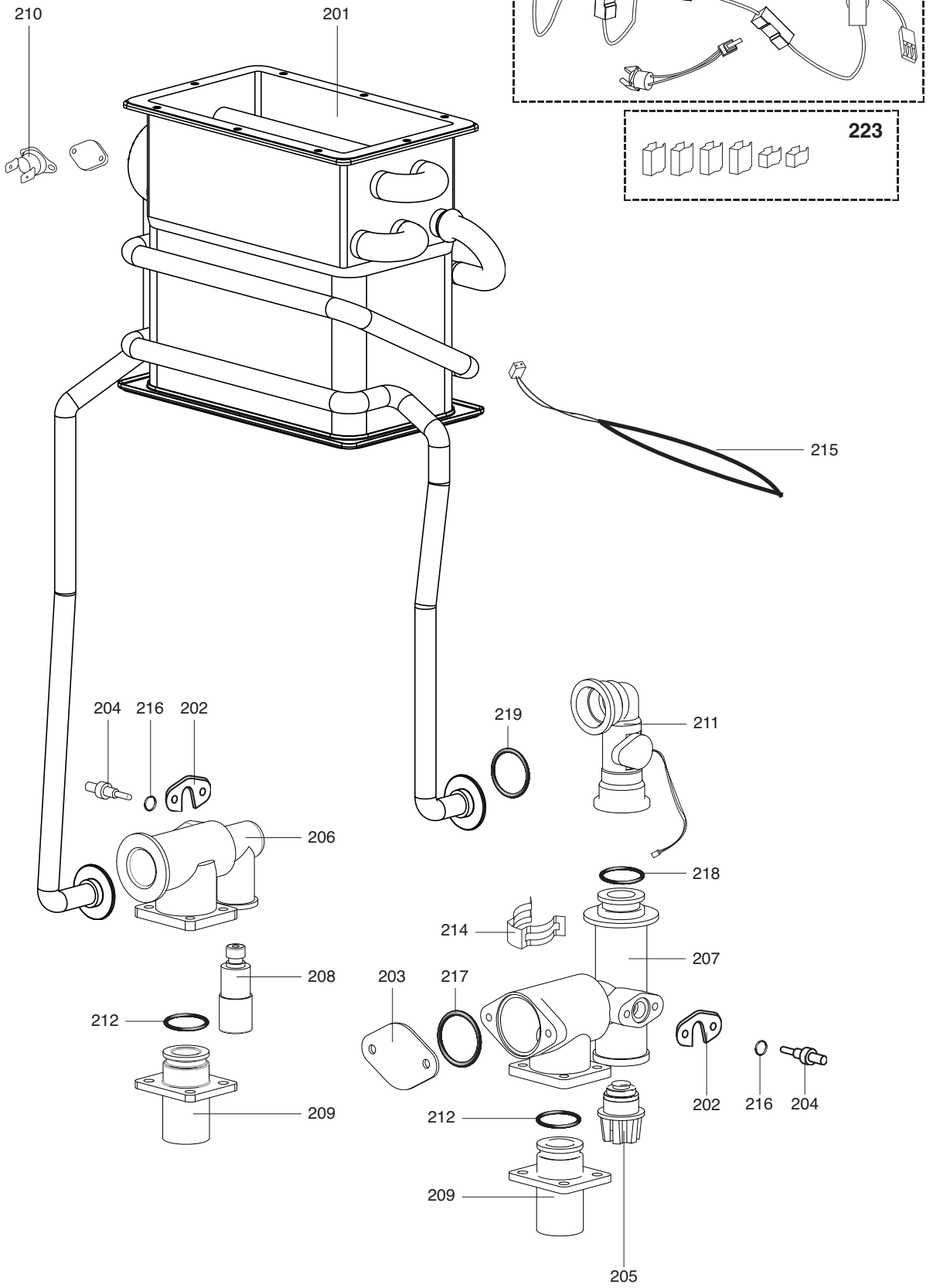
R8216790-02 - 04/09/2012

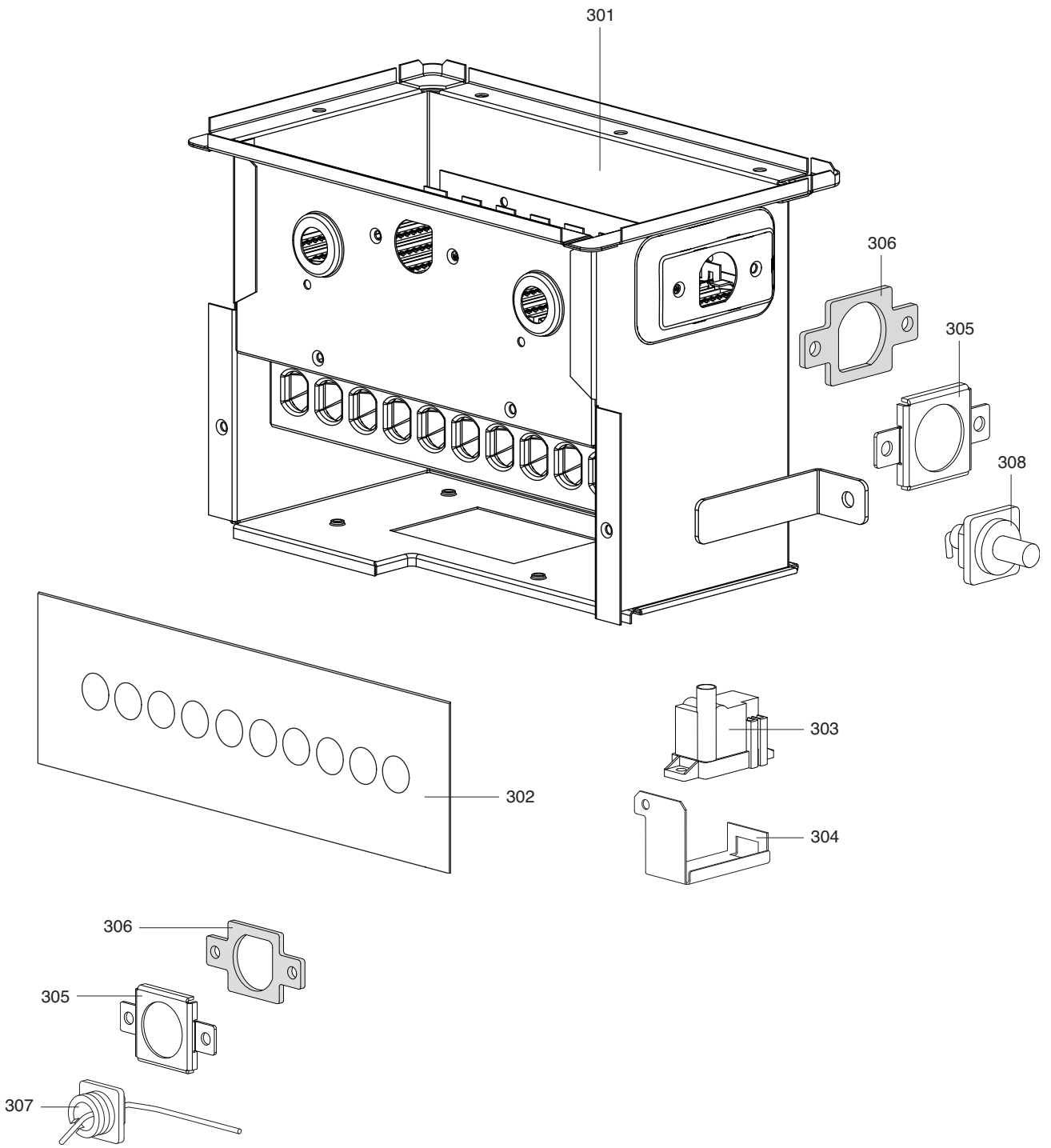
MARCO POLO GI7S FFI

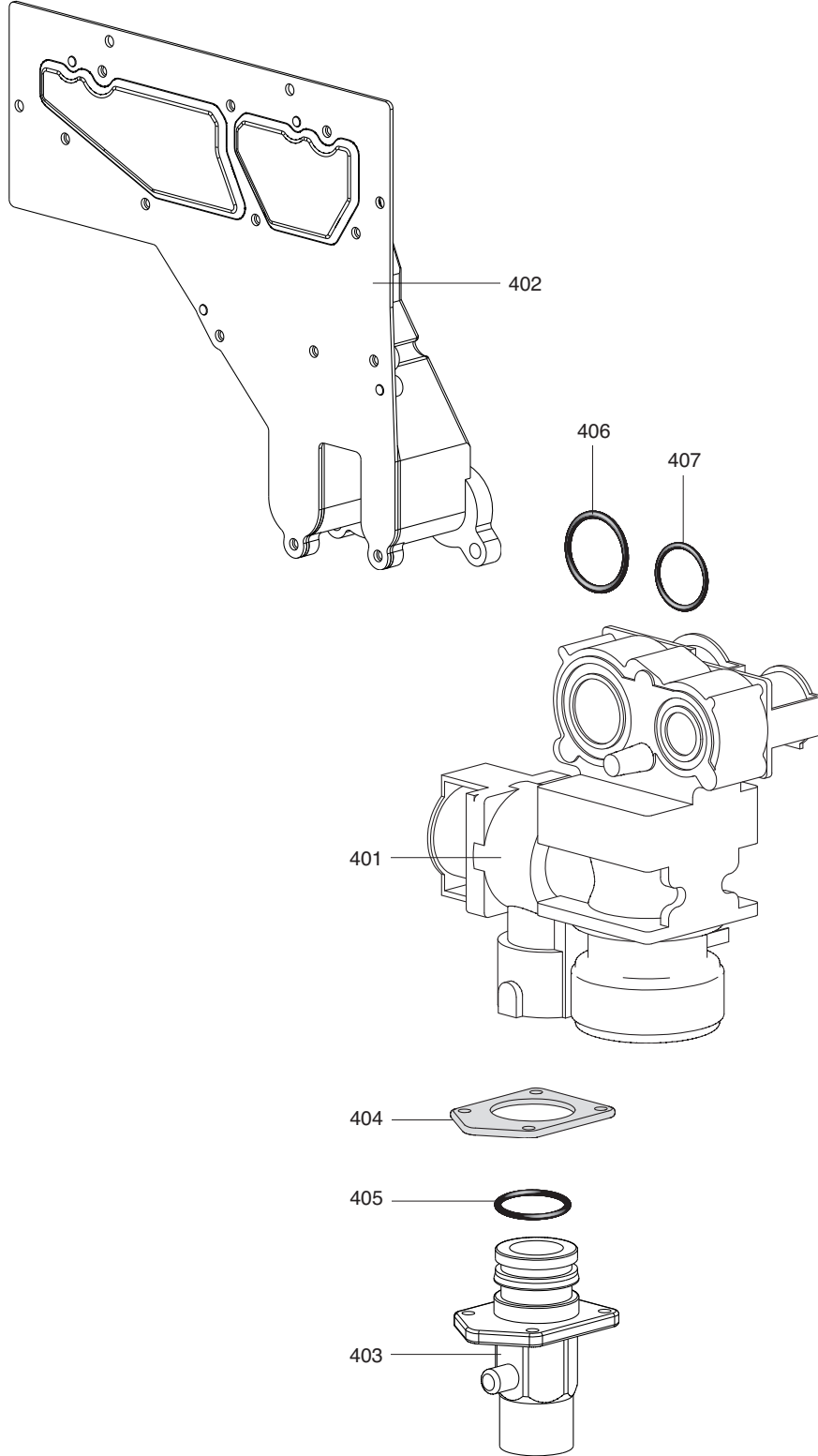
Instantaneous Gas Water Heaters

1	3612020	MARCO POLO GI7S 11L FFI NG		
Col	Reference	Model type	Begin	End



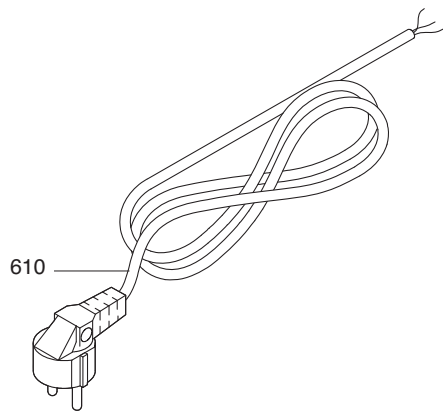
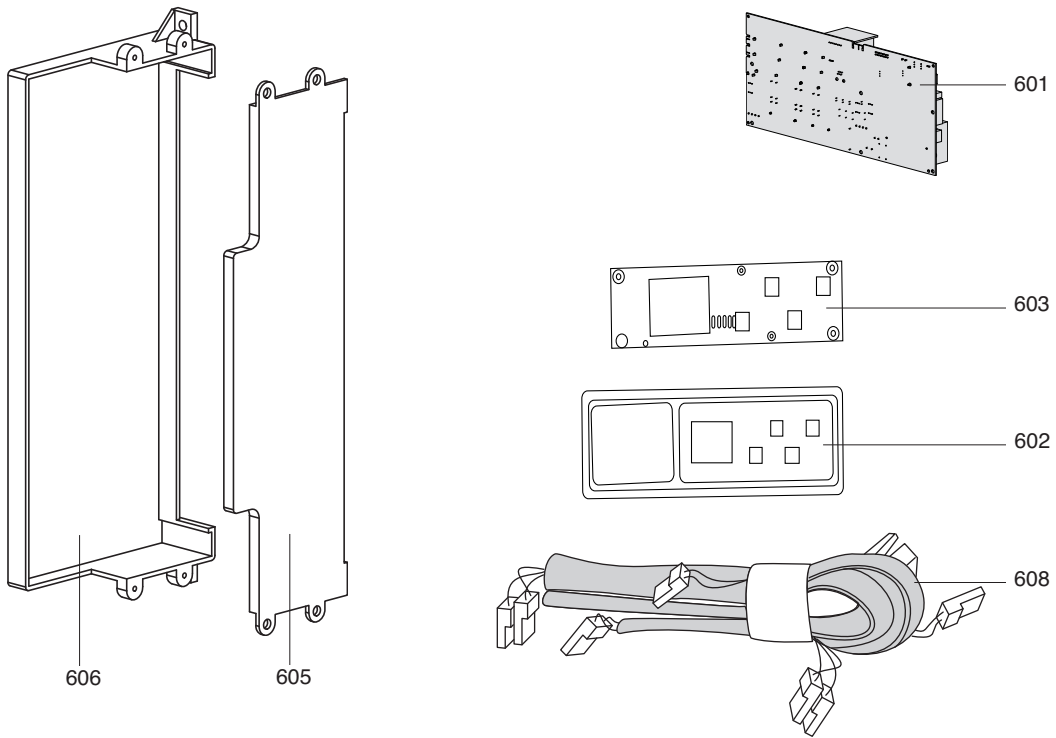
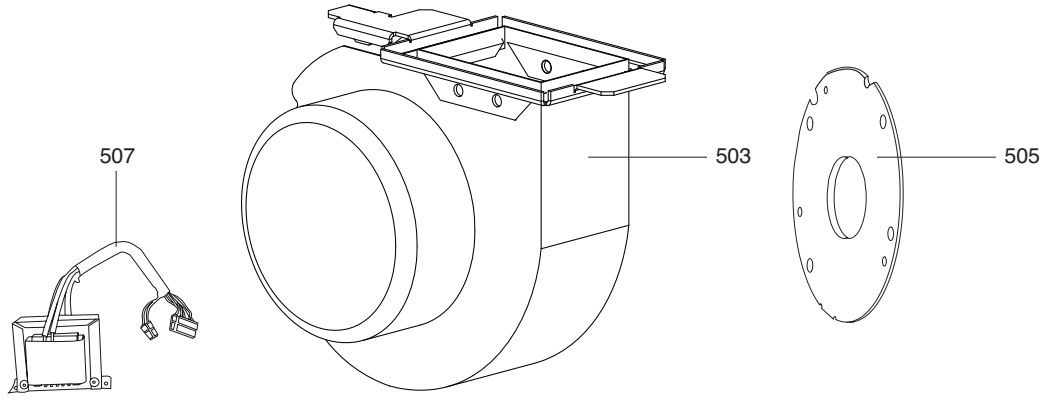






31

Description	Manf. Pt. N	Type	1	2	3	4	5	6	7	8	9	10	11	12	13	14	15	16	17	18	
0400 ГАЗОВАЯ ЧАСТЬ																					
0401 ГАЗОВЫЙ КЛАПАН	65158231		•																		
0402 ГАЗОВЫЙ КОЛЛЕКТОР	65158365		•																		
0403 ПАТРУБОК ПОДАЧИ ГАЗА 3/4"	65158234		•																		
0404 ПРОКЛАДКА	65158236		•																		
0405 О-КОЛЬЦО ПАТРУБКА ПОДАЧИ ГАЗА (10 ШТ.)	65158241		•																		
0406 ПРОКЛАДКА (КОМПЛЕКТ 10 ШТ.)	65158254		•																		
0407 ПРОКЛАДКА (КОМПЛЕКТ 10 ШТ.)	65158255		•																		



	Description	Manf. Pt. N	Type	31																	
				1	2	3	4	5	6	7	8	9	10	11	12	13	14	15	16	17	18
0500	ДЫМОУДАЛЕНИЕ И ВОЗДУХОПОДАЧА																				
0503	ВЕНТИЛЯТОР	65158416		•																	
0505	ФЛАНЕЦ ВЕНТИЛЯТОРА	65158385		•																	
0507	ТРАНСФОРМАТОР	65158389		•																	
0600	ЭЛЕКТРИЧЕСКАЯ ЧАСТЬ																				
0601	ОСНОВНАЯ ПЛАТА	65158393		•																	
0602	ПАНЕЛЬ УПРАВЛЕНИЯ	65158887		•																	
0603	ПЛАТА ДИСПЛЕЯ	65158194		•																	
0605	КРЫШКА РАСПРЕДЕЛИТЕЛЬНОЙ КОРОБКИ	65158246		•																	
0606	РАСПРЕДЕЛИТЕЛЬНАЯ КОРОБКА	65158247		•																	
0608	КОМПЛЕКТ ПРОВОДОВ	65158395		•																	
0610	КАБЕЛЬ ПИТАНИЯ	65158888		•																	

LIST OF THE ABBREVIATIONS

HW	: Hot water.
CW	: Cold water.
C	: Ceramic resistance (normal heating).
Ca	: Ceramic resistance (accelerated heating)
TP	: Immersion heater.
1F	: With fittings.
2F	: Without fittings.
3F	: With fittings and another outlet connection.
AMI	: With mixing valve.
SMI	: Without mixing valve.
PUISS	: Power of th appliance.
PN	: Appliance with normal pression.
LP	: Appliance with low pression.
PV	: Appliance with variable power.
PF	: Appliance with fixed power.

IDENTIFICATION PLATE

SERIAL NUMBER

6 Characters :
 Year of manufacture 03 09 08 Manufacturing day
 Month of manufacture

9 Characters :
 Year of manufacture 5 9 12 06 06 Sequential number
 Month of manufacture

14 Characters :
SI-V-0B0 45 07 0001
 Sequential number
 Year of manufacture : 6 → 2004
 Month of manufacture : → 25 → January 43 → July 7 → 2005
13 → February 29 → August 8 → 2006
32 → March 40 → September etc ...
35 → April 38 → October
39 → May 51 → November
45 → June 12 → December

15 Characters :
02 11 00001 007843
 Year of manufacture
 Month of manufacture Code appareil
 Sequential number

21 Characters :
3200050 XX 08115 0000001
 Product reference Sequential number
 Year (08) / Manufacturing day (115)

22 Characters :
3200050 XX 070115 0000001
 Product reference Sequential number
 Year (07) / Month (01) / Manufacturing day (15)