



SPARE PARTS EXPLODED VIEW  
GAS-STAND. BOILER ATM. BURNER

Model

**TRIGON XXL SE ECO**

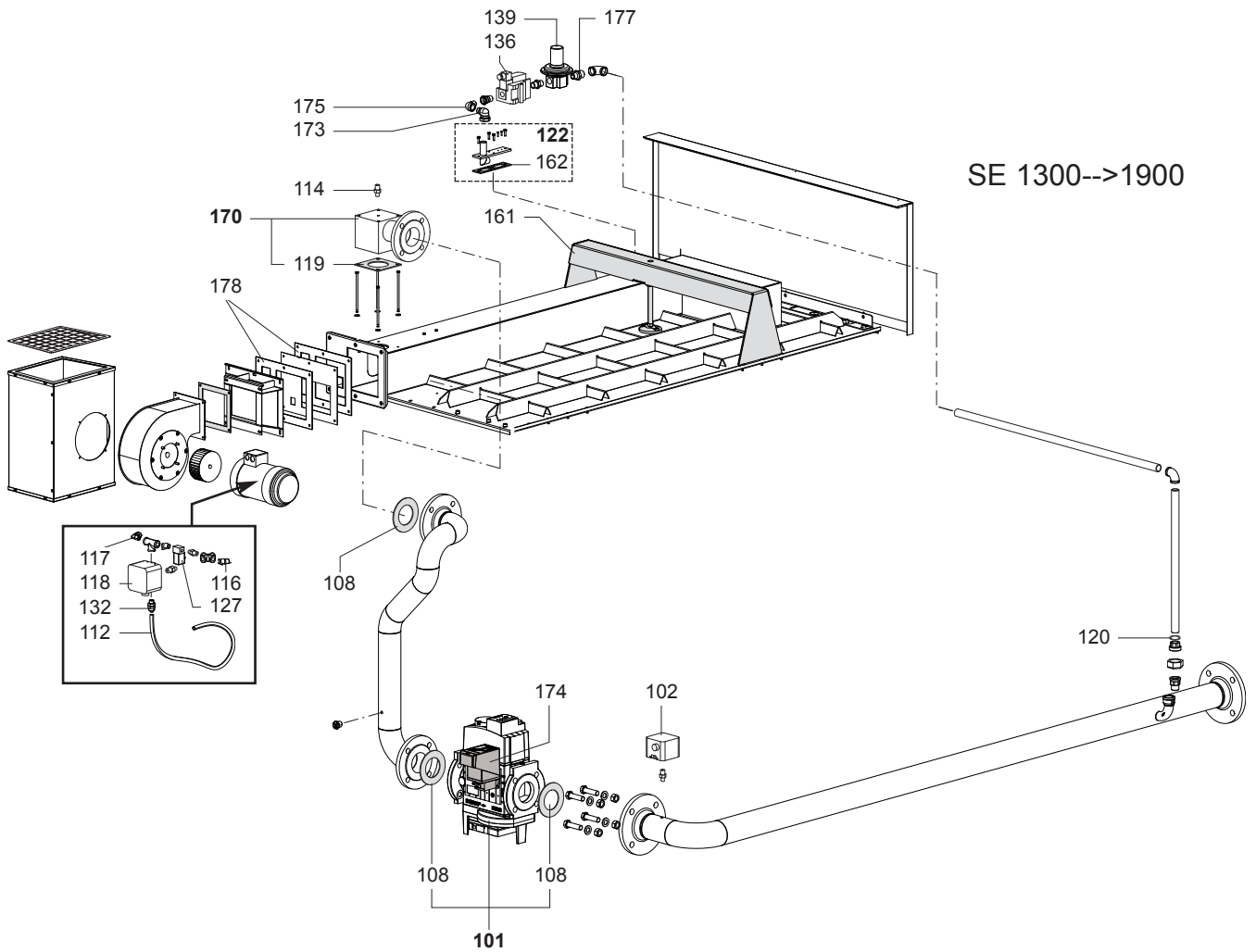
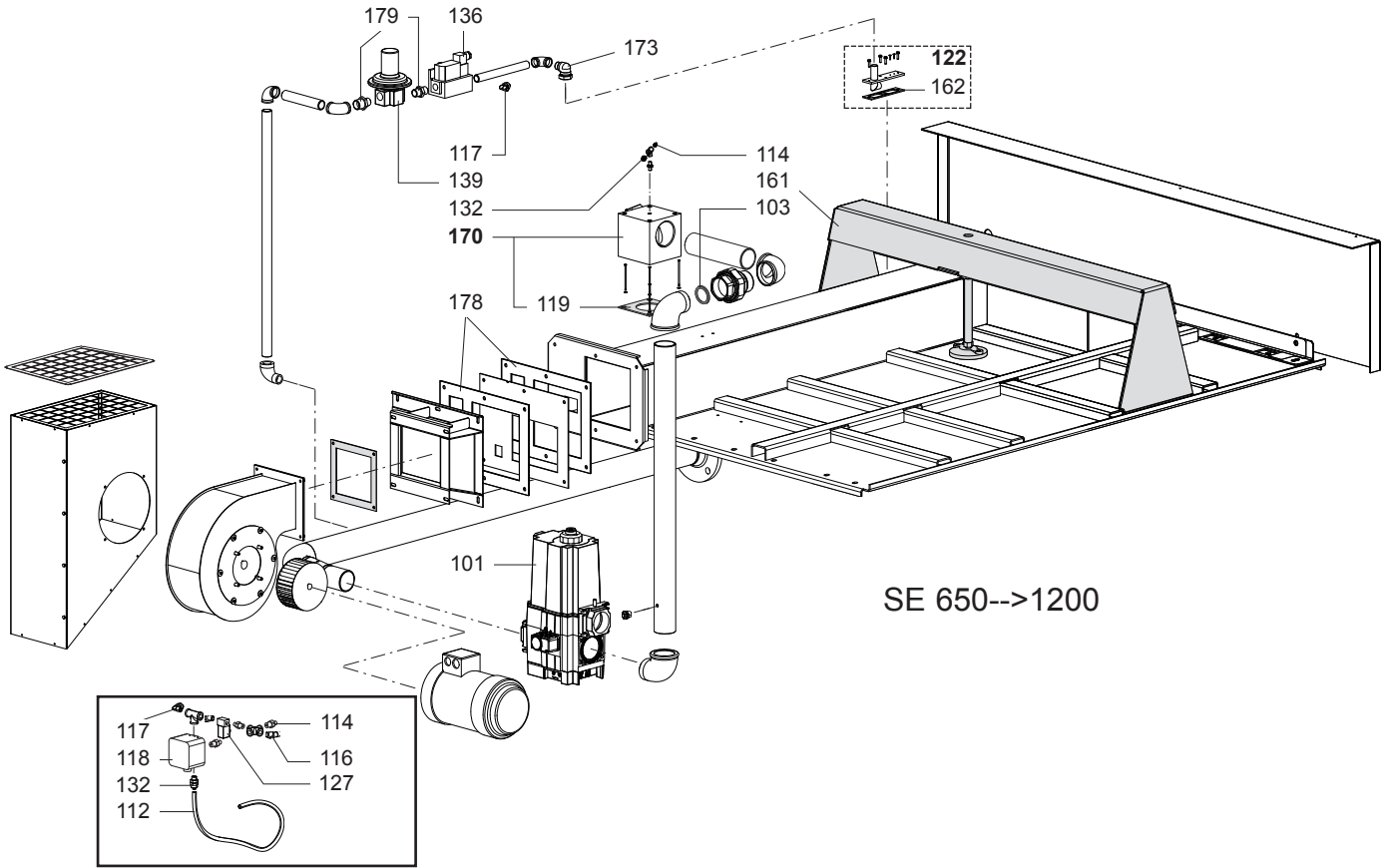
R8218097-01 - 02/10/2018

TRIGO XXL SE ECO

Gas-stand. boiler atm. burner

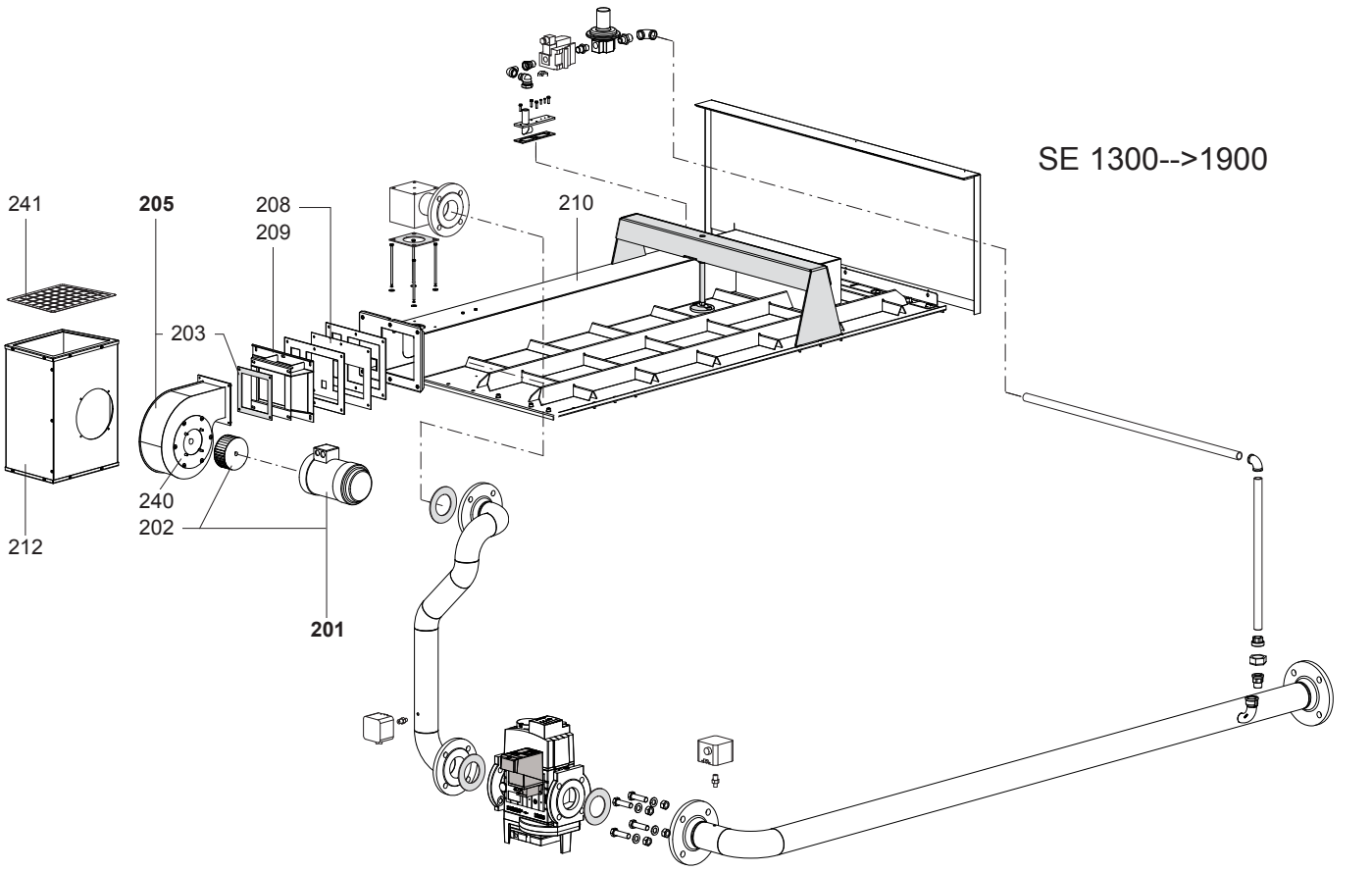
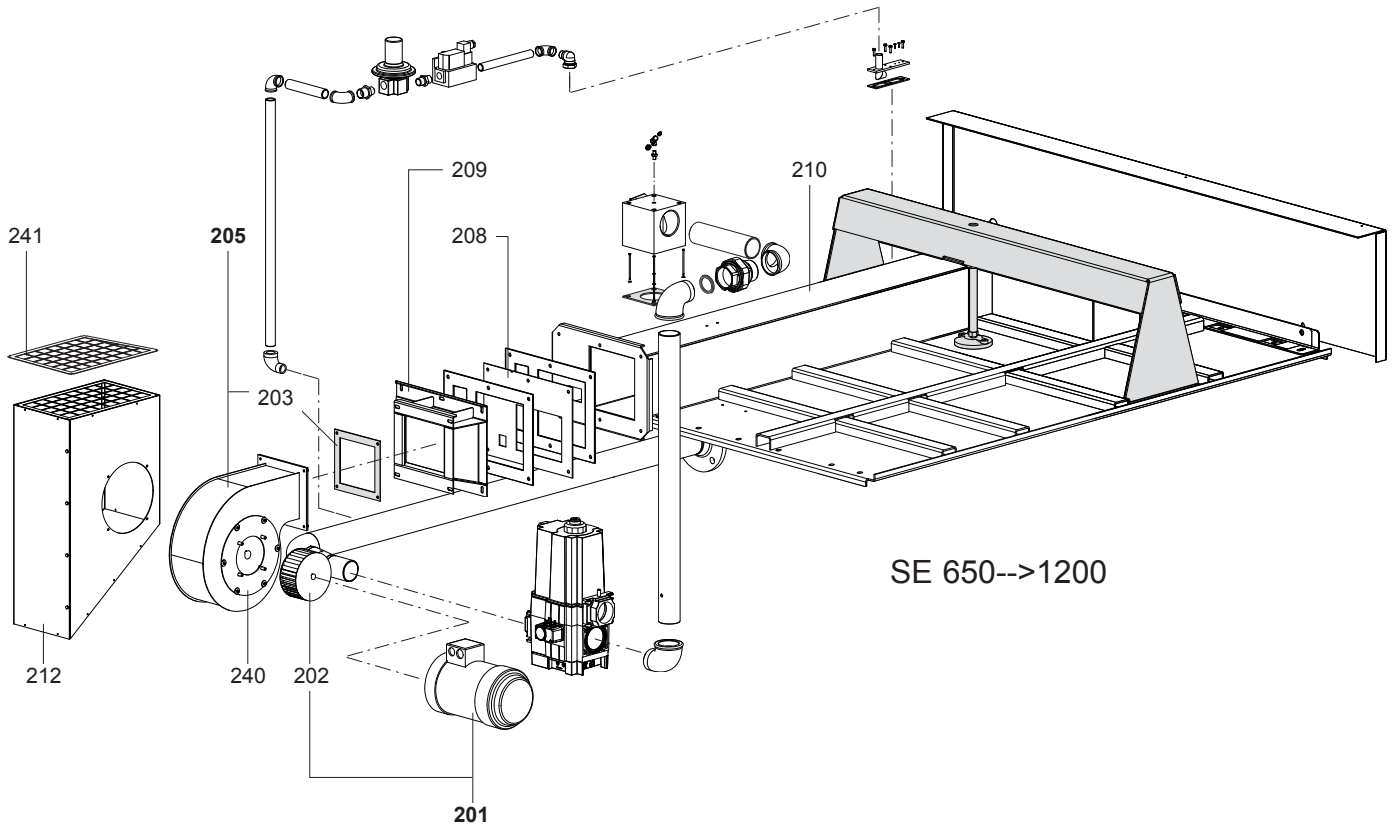
1	3581747	TRIGON XXL SE 650	04-2018	-
2	3581748	TRIGON XXL SE 750	04-2018	-
2	3581757	TRIGON XXL ECO 650	04-2018	-
3	3581749	TRIGON XXL SE 850	04-2018	-
3	3581758	TRIGON XXL ECO 750	04-2018	-
4	3581750	TRIGON XXL SE 1000	04-2018	-
4	3581759	TRIGON XXL ECO 850	04-2018	-
5	3581751	TRIGON XXL SE 1100	04-2018	-
5	3581760	TRIGON XXL ECO 950	04-2018	-
6	3581752	TRIGON XXL SE 1200	04-2018	-
6	3581761	TRIGON XXL ECO 1050	04-2018	-
7	3581753	TRIGON XXL SE 1300	04-2018	-
7	3581762	TRIGON XXL ECO 1150	04-2018	-
8	3581754	TRIGON XXL SE 1500	04-2018	-
8	3581763	TRIGON XXL ECO 1300	04-2018	-
9	3581755	TRIGON XXL SE 1700	04-2018	-
9	3581764	TRIGON XXL ECO 1450	04-2018	-
10	3581756	TRIGON XXL SE 1900	04-2018	-
10	3581765	TRIGON XXL ECO 1600	04-2018	-

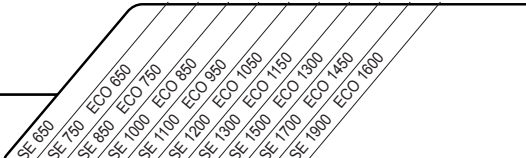
Col Reference Model type Begin End

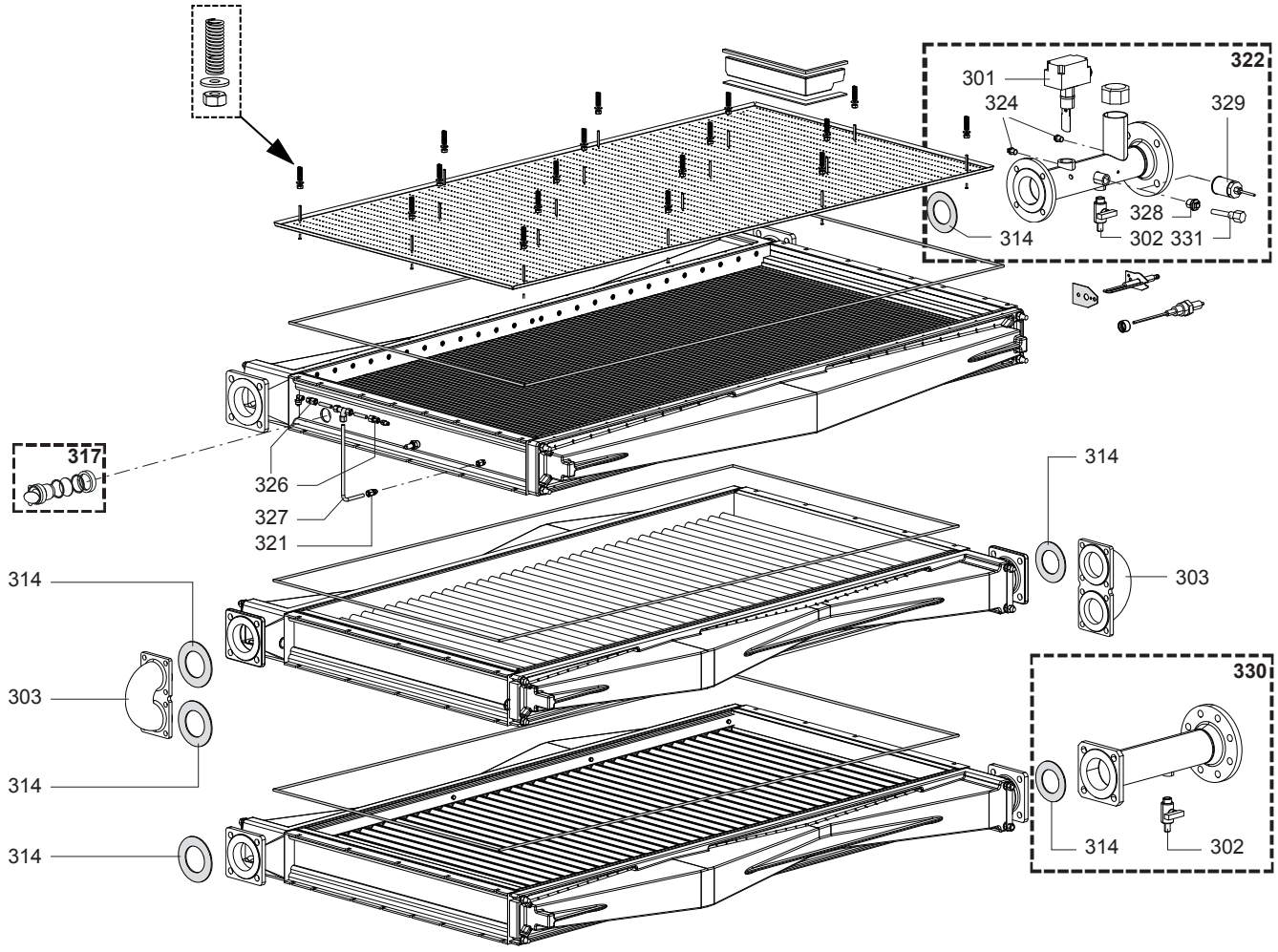


☉⇒	Description	Manf. Pt. N	Type	<div style="display: flex; flex-direction: column; align-items: center; gap: 5px;"> <div style="display: flex; gap: 5px;"> <span>SE 650</span><span>SE 750</span><span>SE 850</span><span>SE 1000</span><span>SE 1100</span><span>SE 1200</span><span>SE 1300</span><span>SE 1500</span><span>SE 1700</span><span>SE 1900</span> </div> <div style="display: flex; gap: 5px;"> <span>ECO 850</span><span>ECO 730</span><span>ECO 850</span><span>ECO 950</span><span>ECO 1050</span><span>ECO 1150</span><span>ECO 1300</span><span>ECO 1450</span><span>ECO 1600</span> </div> </div>																		From	to
				1	2	3	4	5	6	7	8	9	10	11	12	13	14	15	16	17	18		
0101	GAS VALVE GAS VALVE DUNGS MBC-1200-VEF R3456 1-6	65000500 65000257								•	•	•											
0102	GAS PRESSURE SWITCH 0-->150mb	64201433								•	•	•											
0103	GASKET FOR FKS105 NOVAPRESS	64200568		•	•	•	•	•	•														
0108	GASKET 120X70X3 NEOPR.	64201425								•	•	•											
0112	FLEXIBLE TUBE (TEFLON) D:6/8 L: 3M	64280527		•	•	•	•	•	•	•	•	•	•	•	•	•	•	•	•	•			
0114	TEST POINT 1/8	64211101		•	•	•	•	•	•	•	•	•	•	•	•	•	•	•	•	•			
0116	CONNECTION HAAKS 1/4 8mm	64200854		•	•	•	•	•	•	•	•	•	•	•	•	•	•	•	•	•			
0117	CONNECTION 1/8 8mm	64200855		•	•	•	•	•	•	•	•	•	•	•	•	•	•	•	•	•			
0118	AIR PRESS. SWITCH LGW 3 A4 0,4-3MB	64280407		•	•	•	•	•	•	•	•	•	•	•	•	•	•	•	•	•			
0119	GASKET GASKET	64200989 64202283		•	•	•	•	•	•														
0120	GASKET D=38mm d=26mm	12038584		•	•	•	•	•	•														
0122	BURNER JET PILOT	65107922		•	•	•	•	•	•	•	•	•	•	•	•	•	•	•	•	•			
0127	GAS VALVE ASSO ASCO APS E262K022S1N	64203552		•	•	•	•	•	•	•	•	•	•	•	•	•	•	•	•	•			
0132	CONNECTION (1/8 M - STRAIGHT)	64200853		•	•	•	•	•	•	•	•	•	•	•	•	•	•	•	•	•			
0136	SOLENOID VALVES	64350002		•	•	•	•	•	•	•	•	•	•	•	•	•	•	•	•	•			
0139	GAS GOVERNOR 1/2 in	64201438		•	•	•	•	•	•	•	•	•	•	•	•	•	•	•	•	•			
0161	ANTI RESONANCE BAR 1080 ANTI RESONANCE BAR 1180 ANTI RESONANCE BAR 780 ANTI RESONANCE BAR 880 ANTI RESONANCE BAR 980	64203283 64203299 64203339 64203360 64203324			•					•									•				
0162	GASKET (PILOT BURNER)	64202680		•	•	•	•	•	•	•	•	•	•	•	•	•	•	•	•	•			
0170	GAS VALVE BUTTERFLY GAS VALVE BUTTERFLY R3456	65117880 64203281		•	•	•	•	•	•														
0173	CONNECTION 1/2 x 22MM	17016486		•	•	•	•	•	•	•	•	•	•	•	•	•	•	•	•	•			
0174	LEAKAGE TEST CONTROLLER VPS504/1 EK 02/0	64201535								•	•	•	•	•	•	•	•	•	•	•			
0175	KNEE BI-BU 1/2	64203019								•	•	•	•	•	•	•	•	•	•	•			
0177	REDUCING NIPPLE 3/4X1/2 in	64203212								•	•	•	•	•	•	•	•	•	•	•			
0178	GASKET GASKET	65000504 65000505								•	•												
	SEALANT, ADHESIVE 25X3X20,000 MM NEOPR.	64202276		•	•	•	•	•	•														
0179	DOUBLE NIPPLE 1/2 in	64202728		•	•	•	•	•	•	•	•	•	•	•	•	•	•	•	•	•			

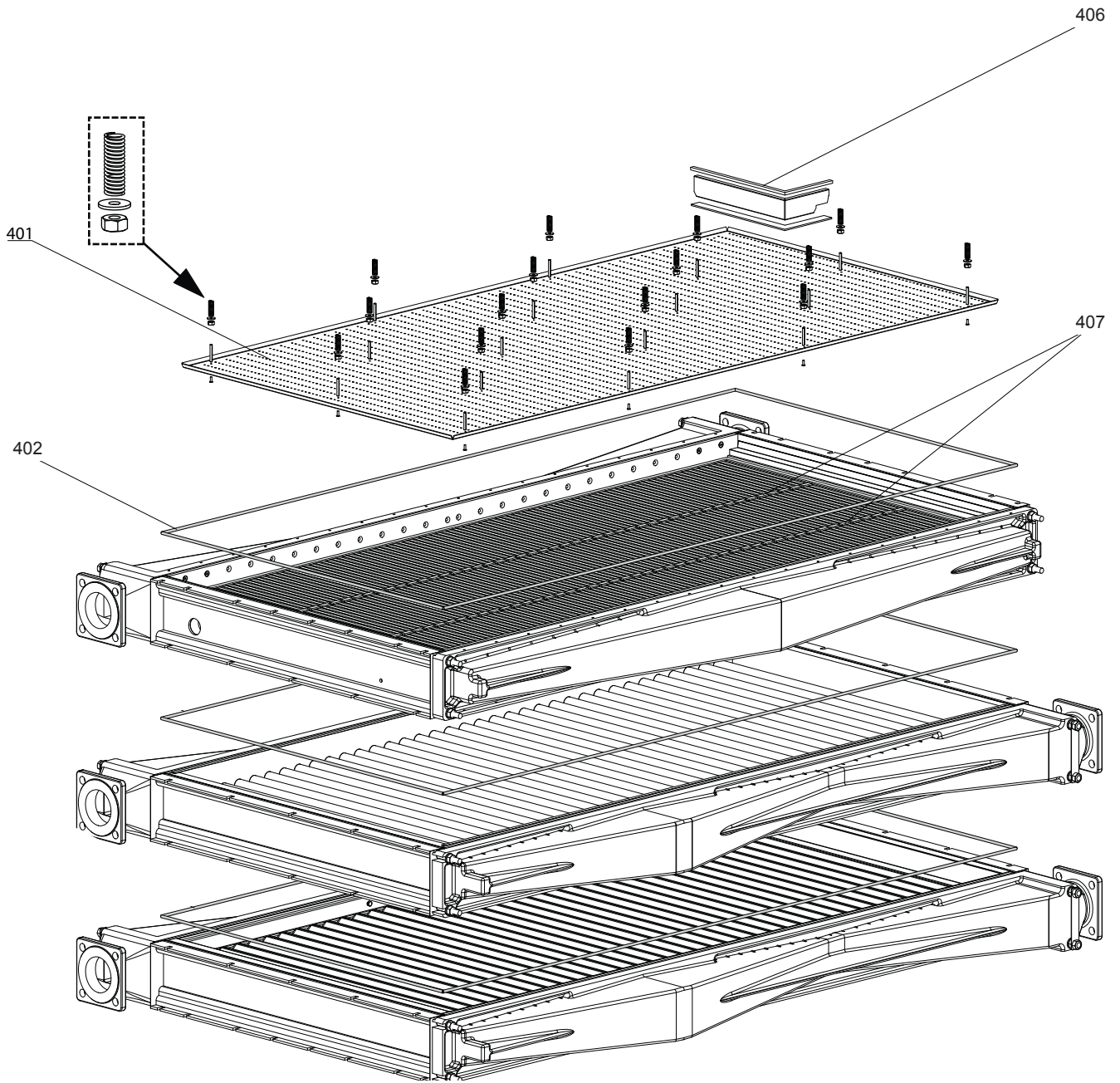
TRIGO XXL SE ECO  
Gas-stand. boiler atm. burner




☉⇒	Description	Manf. Pt. N	Type																			From	to
				1	2	3	4	5	6	7	8	9	10	11	12	13	14	15	16	17	18		
0201	MOTOR (FAN)+HALL SENSOR	64203284	ECO		•	•																	
	MOTOR (FAN)+HALL SENSOR	64203284	SE	•	•																		
	MOTOR FAN+HALL SENSOR	64203403									•	•											
	MOTOR FAN+HALL SENSOR	65117881								•	•												
	MOTOR FAN+HALL SENSOR	64203340	ECO				•	•	•														
	MOTOR FAN+HALL SENSOR	64203340	SE				•	•	•														
0202	FAN MOTOR	64200316		•	•	•																	
	FAN MOTOR	64200317					•	•															
	FAN MOTOR 200X92	64202277								•	•	•	•										
0203	FAN GASKET	65000506								•	•	•	•										
	SEALANT, ADHESIVE 25X3X20,000 MM NEOPR.	64202276		•	•	•	•	•	•														
0205	FAN ASSY	64202284		•	•	•	•																
	FAN ASSY	64202285						•	•														
	FAN ASSY	64202286								•	•	•	•										
0208	RESTRICTION PLATE	65000501								•	•												
	RESTRICTION PLATE	65000502										•											
	RESTRICTION PLATE	65000503											•										
	RESTRICTION PLATE	17017133	ECO		•																		
	RESTRICTION PLATE	17017141	ECO						•														
	RESTRICTION PLATE R3401	17017128		•																			
	RESTRICTION PLATE R3402	17017129	SE		•																		
	RESTRICTION PLATE R3403	17017130				•																	
	RESTRICTION PLATE R3404	17017131	SE				•		•														
	RESTRICTION PLATE R3405	17017132	SE					•	•														
	RESTRICTION PLATE R3503	17017137	ECO				•																
	RESTRICTION PLATE R3504	17017139	ECO					•															
0209	RIDUCTOR	64202298		•	•	•	•	•	•														
	RIDUCTOR	64202299								•	•												
	RIDUCTOR	64202300									•	•	•										
0210	TOP PANEL R3407 (KIT)	65000511								•													
	TOP PANEL R3408 (KIT)	65000512									•												
	TOP PANEL R3409 (KIT)	65000513										•											
	TOP PANEL R3410 (KIT)	65000514											•										
	UPPER COVER PLATE	65107912		•																			
	UPPER COVER PLATE	65107916				•																	
	UPPER COVER PLATE	65107926			•																		
	UPPER COVER PLATE	65107952					•																
	UPPER COVER PLATE	65107957						•															
	UPPER COVER PLATE	65107967								•													
0212	AIR INLET BOX	65000527								•	•	•	•										
	BODY AIR INTAKE BOX ASS 34-3500 XXL	64203285		•	•	•	•	•	•														
0240	MOUNTING FRAME FAN MOTOR	17016706		•	•	•	•	•	•	•	•	•	•										
0241	AIR INLET GRID	64203286		•	•	•	•	•	•														
	AIR INLET GRID TRXXL	65117882								•	•	•	•										

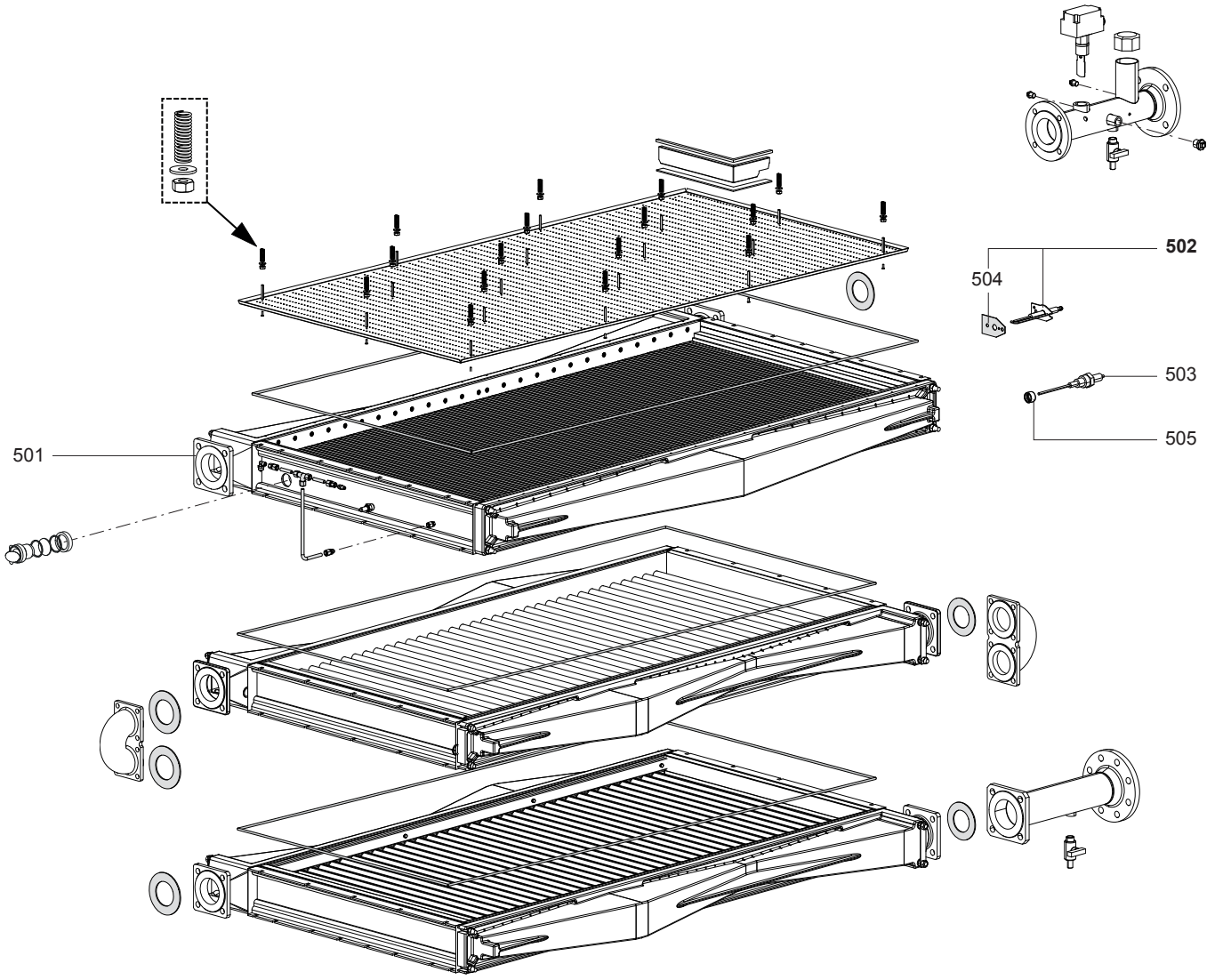


☺➡	Description	Manf. Pt. N	Type																			From	to
				1	2	3	4	5	6	7	8	9	10	11	12	13	14	15	16	17	18		
0301	FLOW SWITCH F61SB-9100	64210206		●	●					●	●	●	●	●	●								
0302	TAP (1/2 )	64211228		●	●	●	●	●	●	●	●	●	●	●	●								
0303	ELBOW (PRIMARY HEAT EXC. SUPPLY RETURN)	64203314		●	●																		
	ELBOW (PRIMARY HEAT EXC. SUPPLY RETURN)	64203336				●	●	●	●	●	●	●	●	●	●								
0314	GASKET 131X84X3 NEOPR. 2 INLAYS	64200995		●	●	●	●	●	●	●	●	●	●	●	●								
0317	SIGHT GLASS ASSY (WITH MIRROR)	12083849		●	●	●	●	●	●	●	●	●	●	●	●								
0321	CONNECTION 1/8 D.8	64280467		●	●	●	●	●	●	●	●	●	●	●	●								
0322	PIPE (WATER SUPPLY)	64203337				●	●	●	●	●	●	●	●	●	●								
	PIPE (WATER SUPPLY-COMLETE)	64203280		●	●																		
0324	PLUG 1/4 in	64202105		●	●	●	●	●	●	●	●	●	●	●	●								
0326	CONNECTION 1/8 D.8	65108209		●	●	●	●	●	●	●	●	●	●	●	●								
0327	COPPER PIPE 6X8 mm L:2m	65108213		●	●	●	●	●	●	●	●	●	●	●	●								
0328	PLUG 1/2 in	64202106		●	●	●	●	●	●	●	●	●	●	●	●								
0329	PRESSURE SENSOR	64201865		●	●	●	●	●	●	●	●	●	●	●	●								
0330	PIPE (WATER RETURN)	64203326		●	●																		
	PIPE (WATER RETURN)	64203338				●	●	●	●														
	PIPE (WATER RETURN)	64203391									●	●	●	●									
	PIPE (WATER RETURN)	65117879									●	●	●	●									
0331	SENSOR (FLOW-RETURN)	65000315		●	●	●	●	●	●	●	●	●	●	●	●								

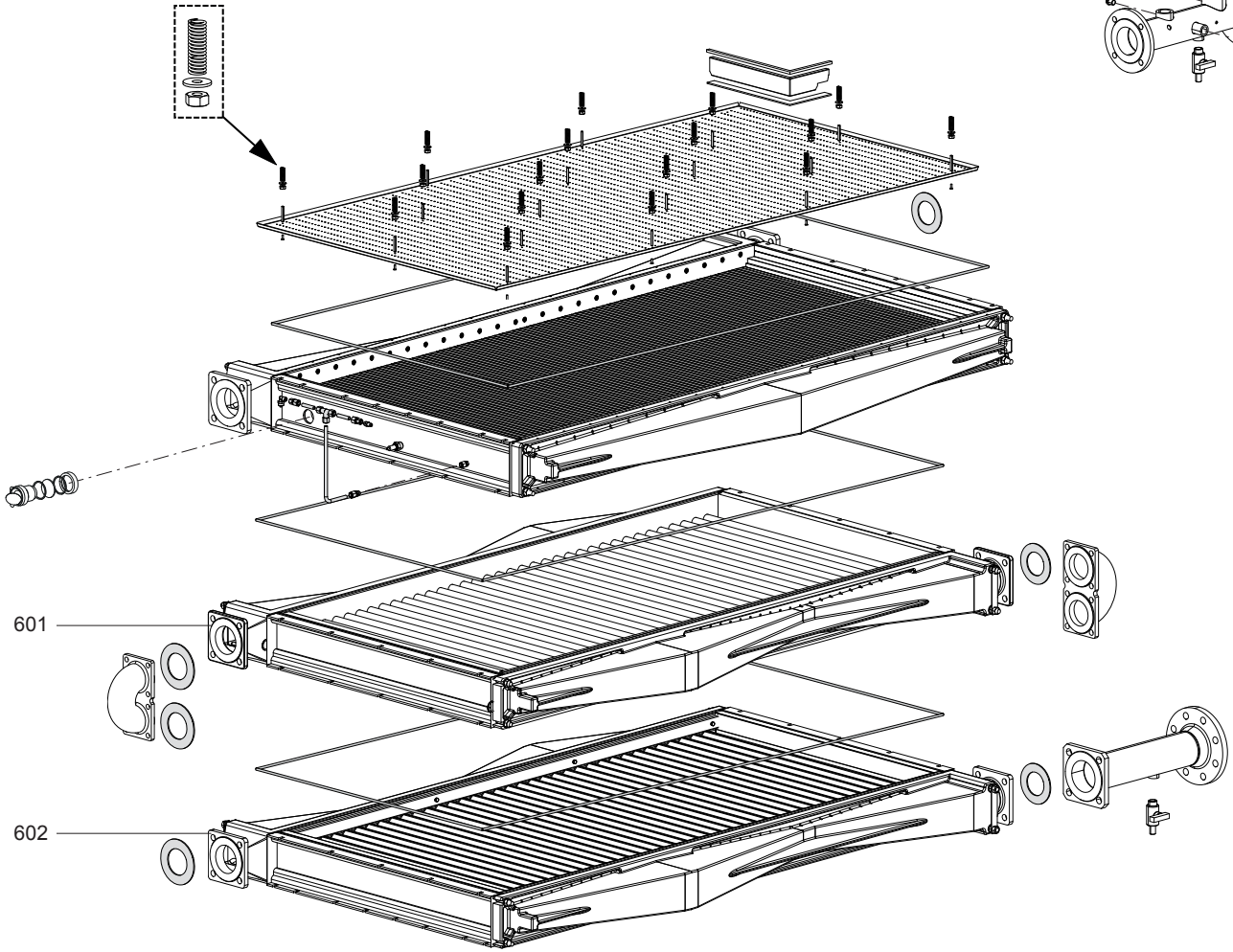
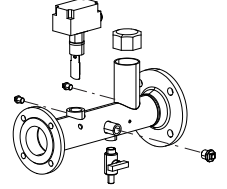
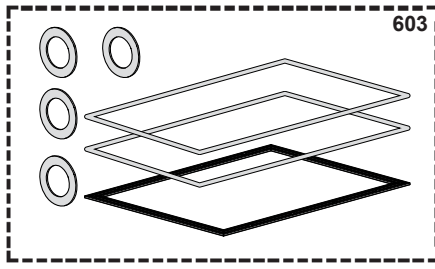





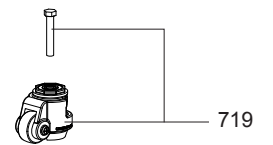
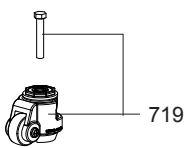
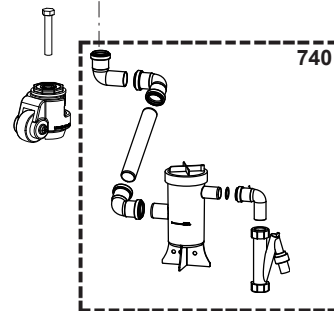
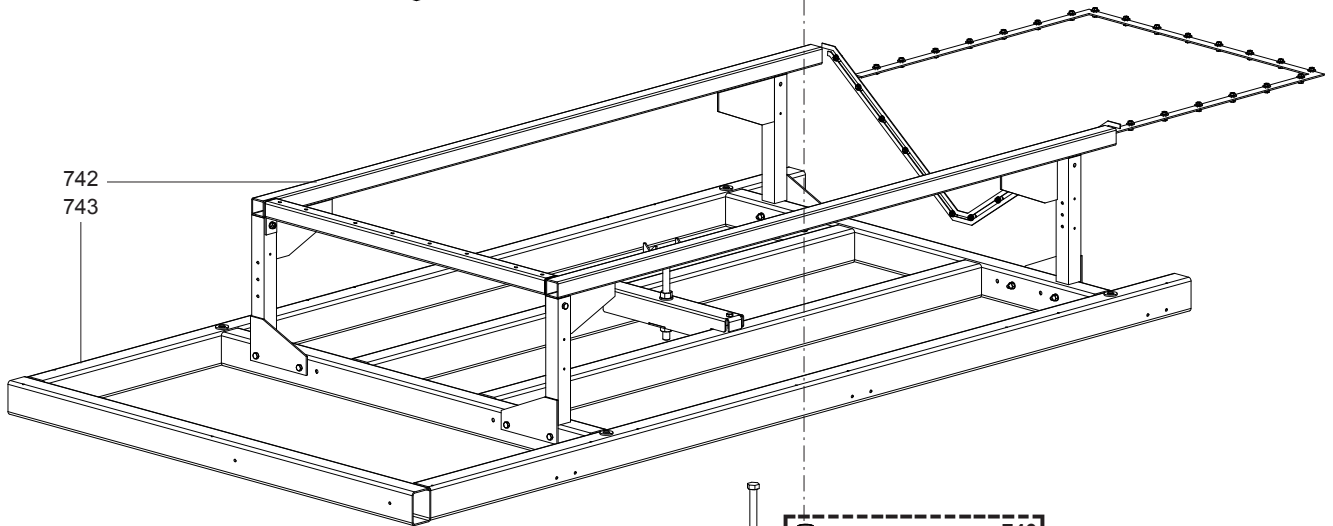
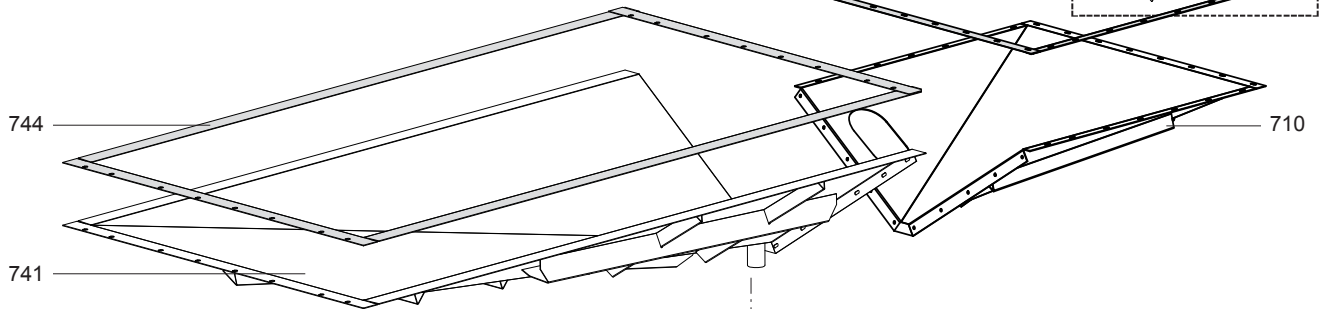
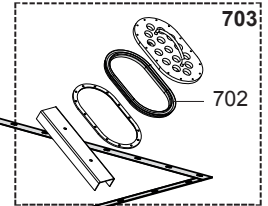
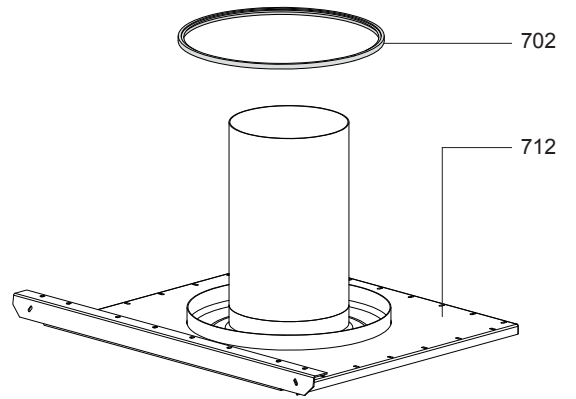
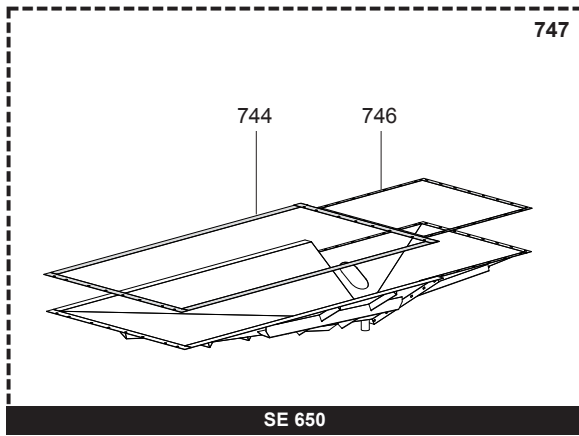
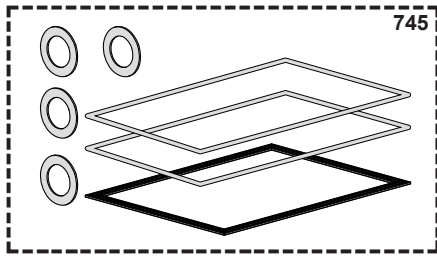
☺→	Description	Manf. Pt. N	Type																		
				1	2	3	4	5	6	7	8	9	10	11	12	13	14	15	16	17	18
0401	SPREADER PLATE	65000507									●										
	SPREADER PLATE	65000508										●									
	SPREADER PLATE	65000509											●								
	SPREADER PLATE	65000510												●							
	SPREADER PLATE	65107911		●																	
	SPREADER PLATE	65107925			●																
	SPREADER PLATE	65107941				●															
	SPREADER PLATE	65107951					●														
	SPREADER PLATE	65107956						●													
	SPREADER PLATE	65107966							●												
0402	GASKET	64201299		●																	
	SEAL (SILICON TUBE)	64201428			●																
	SEAL (SILICON TUBE)	64201429				●															
	SEAL (SILICON TUBE)	64201430					●														
	SEAL (SILICON TUBE)	64201431						●													
	SEAL (SILICON TUBE)	64201432							●												
	SEAL (SILICON TUBE)	64201589								●											
	SEAL (SILICON TUBE)	64201590									●										
	SEAL (SILICON TUBE)	64201591										●									
	SEAL (SILICON TUBE)	64201592											●								
0406	PANEL (INSULATION) 10X6mm L:10m	64200229		●	●	●	●	●	●	●	●	●	●	●	●	●	●	●	●		
0407	GASKET 12X3X20000 mm NEOPR.	12016166		●	●	●	●	●	●	●	●	●	●	●	●	●	●	●	●		

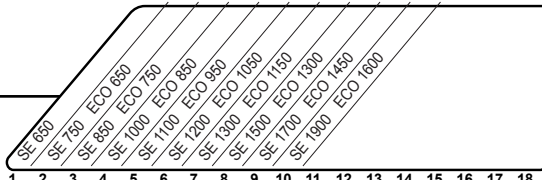


☺ ⇒	Description	Manf. Pt. N	Type	<div style="float: right; border: 1px solid black; padding: 2px; transform: rotate(-45deg); font-size: 8px;"> SE 650   SE 750   SE 850   SE 1000   SE 1100   SE 1200   SE 1300   SE 1500   SE 1700   SE 1900  ECO 850   ECO 750   ECO 850   ECO 950   ECO 1050   ECO 1150   ECO 1300   ECO 1350 </div>																		31	
				1	2	3	4	5	6	7	8	9	10	11	12	13	14	15	16	17	18	From	to
0501	BURNER	64203277			●																		
	BURNER	64203321		●																			
	BURNER	64203332				●																	
	BURNER	64203356					●																
	BURNER XXL SE1100	64203368						●															
	BURNER XXL SE1200	64203380							●														
	BURNER XXL SE1300 ECO1150 EVO1200	65117875								●													
	BURNER XXL SE1500 EVO1400	64203387									●												
	BURNER XXL SE1700 EVO1550	64203401										●											
	BURNER XXL SE1900 EVO1700	64203411											●										
0502	IGNITION ELECTRODE + GASKET R600/R3XXX	64202264		●	●	●	●	●	●	●	●	●	●	●									
0503	IONIZATION ELECTRODE	64201562		●	●	●	●	●	●	●	●	●	●	●									
0504	GASKET	64200325		●	●	●	●	●	●	●	●	●	●	●									
0505	CONNECTION M F	17010022		●	●	●	●	●	●	●	●	●	●	●									



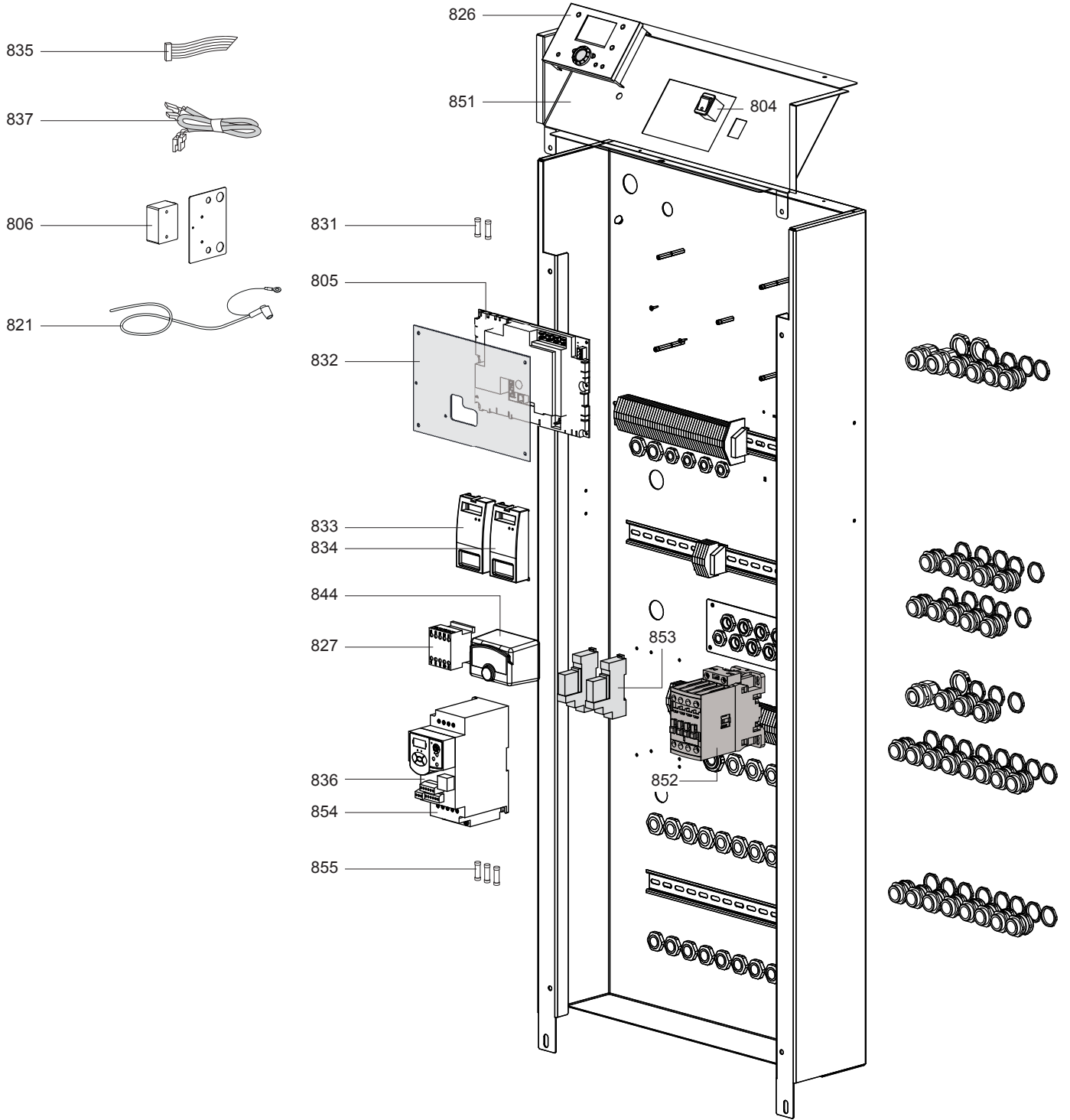
☺⇒	Description	Manf. Pt. N	Type																		
				1	2	3	4	5	6	7	8	9	10	11	12	13	14	15	16	17	18
0601	1° HEAT EXCHANGER XXL SE1000 EVO900	64203354					•														
	1° HEAT EXCHANGER XXL SE1100 EVO1000	64203366						•													
	1° HEAT EXCHANGER XXL SE1200 EVO1100	64203379							•												
	1° HEAT EXCHANGER XXL SE1300 EVO1200	65117873								•											
	1° HEAT EXCHANGER XXL SE1500 EVO1400	64203386									•										
	1° HEAT EXCHANGER XXL SE1700 EVO1550	64203399										•									
	1° HEAT EXCHANGER XXL SE1900 EVO1700	64203410											•								
	1° HEAT EXCHANGER XXL SE650	64203319		•																	
	1° HEAT EXCHANGER XXL SE750 EVO 700	64203275			•																
	1° HEAT EXCHANGER XXL SE850 EVO800	64203330				•															
0602	2° HEAT EXCHANGER XXL SE 750	64203273			•																
	2° HEAT EXCHANGER XXL SE1000	64203352					•														
	2° HEAT EXCHANGER XXL SE1100	64203365						•													
	2° HEAT EXCHANGER XXL SE1200	64203377							•												
	2° HEAT EXCHANGER XXL SE1300	65117871								•											
	2° HEAT EXCHANGER XXL SE1500	64203384									•										
	2° HEAT EXCHANGER XXL SE1700	64203398										•									
	2° HEAT EXCHANGER XXL SE1900	64203409											•								
	2° HEAT EXCHANGER XXL SE650	64203317		•										•							
	2° HEAT EXCHANGER XXL SE850	64203328				•															
0603	DESASSEMBLY KIT	65000429		•																	
	DISASSEMBLY KIT R3601SB	17016032			•																
	DISASSEMBLY KIT R3602SB	17016033				•															
	DISASSEMBLY KIT R3603SB	17016034					•														
	DISASSEMBLY KIT R3604SB	17016035						•													
	DISASSEMBLY KIT R3605SB	17016036							•												
	SEALING KIT	65000422								•											
	SEALING KIT	65000423									•										
	SEALING KIT	65000424										•									
	SEALING KIT	65000425											•								



☞	Description	Manf. Pt. N	Type																			From	to
				1	2	3	4	5	6	7	8	9	10	11	12	13	14	15	16	17	18		
0702	GASKET L:5m	64200436		•	•	•	•	•	•	•	•	•	•										
0703	COMPLETE INSPECTION COVER	4148707742		•	•	•	•	•	•	•	•	•	•										
0710	RECUPERATOR OF CONDEN.	64201553								•			•										
	RECUPERATOR OF CONDEN.	64201554									•												
	RECUPERATOR OF CONDEN.	64201555										•											
	RECUPERATOR OF CONDEN.	65000427			•																		
	RECUPERATOR OF CONDEN.	65107930			•				•														
	RECUPERATOR OF CONDEN.	65107953					•																
	RECUPERATOR OF CONDEN.	65107959						•															
0712	BASE OF CHIMNEY	64203316		•																			
	BASE OF CHIMNEY	64203444							•														
	BASE OF CHIMNEY	64203505				•																	
	BASE OF CHIMNEY	64203508						•															
	BASE OF CHIMNEY	64203509								•													
	BASE OF CHIMNEY	64203413	ECO		•																		
	BASE OF CHIMNEY	64203507	ECO				•																
	BASE OF CHIMNEY	64203272	SE		•																		
	BASE OF CHIMNEY	64203506	SE			•																	
	COND. TRAY TOP PLATE XXL SE1500 EV01400	64203456									•												
	COND. TRAY TOP PLATE XXL SE1700 EV01550	64203461										•											
	COND. TRAY TOP PLATE XXL SE1900 EV01700	64203467											•										
0719	FRAME WHEEL	64203271		•	•	•	•	•	•	•	•	•	•	•	•	•	•	•	•				
0740	SYPHONE (COMPLETE)	64203311		•	•	•	•	•	•	•	•	•	•	•	•	•	•	•	•				
0741	COND. TRAY TOP PLATE XXL SE1300 EVO1200	64203449									•												
	CONDENSATE TRAY FRONT	12052279			•																		
	CONDENSATE TRAY FRONT	64203327				•																	
	CONDENSATE TRAY FRONT	64203351					•																
	CONDENSATE TRAY FRONT	64203363						•															
	CONDENSATE TRAY FRONT	64203376							•														
	CONDENSATE TRAY FRONT R3501	64203510								•													
	CONDENSATE TRAY FRONT R3501	64203511									•												
	CONDENSATE TRAY FRONT R3501	64203512										•											
0742	FRAME (UPPER PART)	64203383		•	•																		
	FRAME (UPPER PART)	64203397				•	•	•	•														
	FRAME (UPPER PART)	64203407								•													
	FRAME (UPPER PART)	65117870									•	•	•										
0743	FRAME (LOWER PART)	64203315				•	•																
	FRAME (LOWER PART)	64203325						•	•														
	FRAME (LOWER PART)	64203350								•													
	FRAME (LOWER PART)	64203362									•												
	FRAME (LOWER PART)	64203375										•	•										
	FRAME (LOWER PART-750 KW)	64203270		•	•																		
0744	GASKET	64201299		•																			
	SEAL (SILICON TUBE)	64201428			•																		
	SEAL (SILICON TUBE)	64201429				•																	
	SEAL (SILICON TUBE)	64201430					•																
	SEAL (SILICON TUBE)	64201431						•															
	SEAL (SILICON TUBE)	64201432							•														
	SEAL (SILICON TUBE)	64201589								•													
	SEAL (SILICON TUBE)	64201590									•												
	SEAL (SILICON TUBE)	64201591										•											
	SEAL (SILICON TUBE)	64201592											•										
0745	DISASSEMBLY KIT	65000429		•																			
	DISASSEMBLY KIT R3601SB	17016032			•																		
	DISASSEMBLY KIT R3602SB	17016033				•																	
	DISASSEMBLY KIT R3603SB	17016034					•																
	DISASSEMBLY KIT R3604SB	17016035						•															
	DISASSEMBLY KIT R3605SB	17016036							•														
	SEALING KIT	65000422								•	•												
	SEALING KIT	65000424										•											
	SEALING KIT	65000425											•										
0746	SEALANT, ADHESIVE 25X3X20,000 MM NEOPR.	64202276		•	•	•	•	•	•	•	•	•	•	•	•	•	•	•	•				
0747	RECUPERATOR OF CONDEN.	65107869		•																			

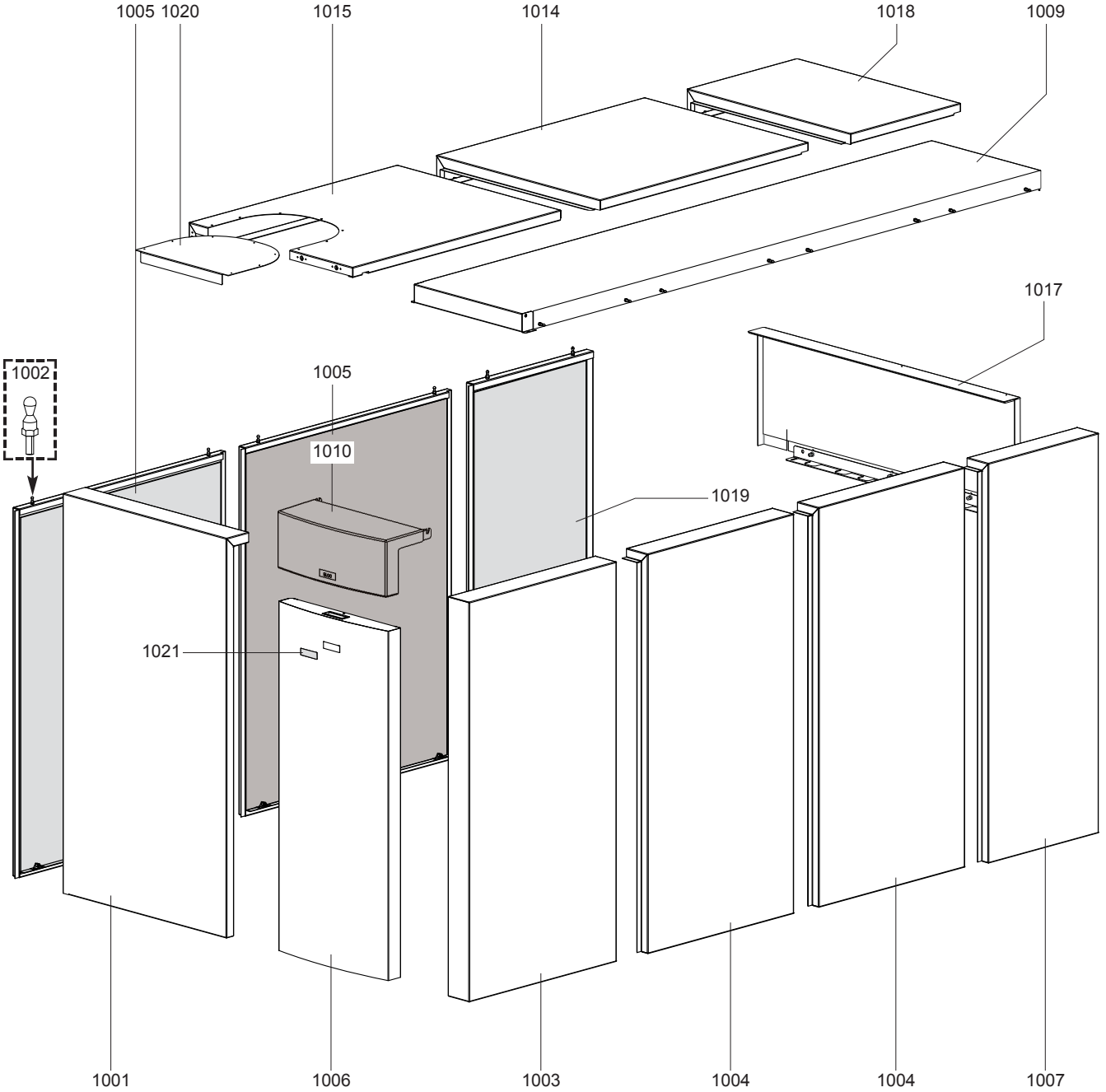
TRIGO XXL SE ECO

Gas-stand. boiler atm. burner





☺⇒	Description	Manf. Pt. N	Type	<div style="display: flex; flex-direction: column; justify-content: space-between; padding: 2px;"> <span>SE 650</span> <span>SE 750</span> <span>SE 850</span> <span>SE 1000</span> <span>SE 1100</span> <span>SE 1200</span> <span>SE 1300</span> <span>SE 1500</span> <span>SE 1700</span> <span>SE 1900</span> <span>ECO 650</span> <span>ECO 750</span> <span>ECO 850</span> <span>ECO 1050</span> <span>ECO 1150</span> <span>ECO 1350</span> <span>ECO 1550</span> <span>ECO 1750</span> <span>ECO 1950</span> </div>											From	to			
				1	2	3	4	5	6	7	8	9	10	11			12	13	14
0804	SWITCH ON/OFF WITH ROUND LENS LIGHT	64200294		•	•	•													
0805	PCB LMS 14 R6.3 1000 KW SE	64203479-01					•												
	PCB LMS 14 R6.3 1050 KW ECO	64203491-01						•											
	PCB LMS 14 R6.3 1100 KW SE	64203480-01							•										
	PCB LMS 14 R6.3 1150 KW ECO	64203492-01								•									
	PCB LMS 14 R6.3 1200 KW SE	64203481-01									•								
	PCB LMS 14 R6.3 1300 KW ECO	64203493-01										•							
	PCB LMS 14 R6.3 1300 KW SE	64203482-01											•						
	PCB LMS 14 R6.3 1450 KW ECO	64203494-01												•					
	PCB LMS 14 R6.3 1500 KW SE	64203483-01													•				
	PCB LMS 14 R6.3 1600 KW ECO	64203495-01														•			
	PCB LMS 14 R6.3 1700 KW SE	64203484-01															•		
	PCB LMS 14 R6.3 1900 KW SE	64203485-01																•	
	PCB LMS 14 R6.3 650 KW ECO	64203487-01				•													
	PCB LMS 14 R6.3 650 KW SE	64203477-01					•												
	PCB LMS 14 R6.3 750 KW ECO	64203488-01						•											
	PCB LMS 14 R6.3 750 KW SE	64203298-01							•										
	PCB LMS 14 R6.3 850 KW ECO	64203489-01								•									
	PCB LMS 14 R6.3 850 KW SE	64203478-01									•								
	PCB LMS 14 R6.3 950 KW ECO	64203490-01										•							
0806	TRANSFORMER	64202975		•	•	•	•	•	•	•	•	•	•	•	•	•	•	•	•
0821	ELECTRODE IGNITION CABLE	64201884		•	•	•	•	•	•	•	•	•	•	•	•	•	•	•	•
0826	MODULE HMI 12 LANGUAGES V7.6	64203519		•	•	•	•	•	•	•	•	•	•	•	•	•	•	•	•
0827	RELAY ALAN BRADLEY 100-K09-KF10	64201538		•	•	•	•	•	•	•	•	•	•	•	•	•	•	•	•
0831	FUSES 2PCS T6.3A H 250V FOR LMS	64201792		•	•	•	•	•	•	•	•	•	•	•	•	•	•	•	•
0832	PLATE LMS COVER TR-XL	64202937		•	•	•	•	•	•	•	•	•	•	•	•	•	•	•	•
0833	CLIP-IN AGU2.550A109	64202133		•	•	•	•	•	•	•	•	•	•	•	•	•	•	•	•
0834	CLIP-IN AGU2.551A109 (0-10V)	64201608		•	•	•	•	•	•	•	•	•	•	•	•	•	•	•	•
0835	CABLE (/AVS37.394-AGU2.551)	64201621		•	•	•	•	•	•	•	•	•	•	•	•	•	•	•	•
0836	FREQUENCY INVERTER	64203313		•	•														
	FREQUENCY INVERTER	64203313	ECO			•													
	FREQUENCY INVERTER 1.5 KW TRIGON XXL	64203349					•	•	•										
	FREQUENCY INVERTER 1.5 KW TRIGON XXL	64203349	SE				•												
	FREQUENCY INVERTER 2.2 KW TRIGON XXL	65117887							•	•									
	FREQUENCY INVERTER 3.7 KW TRIGON XXL	64203406									•	•	•	•	•	•	•	•	•
0837	CABLE (GAS VALVE)	64203308		•	•	•	•	•	•	•	•	•	•	•	•	•	•	•	•
	CABLE (HALL SENSOR)	64203310		•	•	•	•	•	•	•	•	•	•	•	•	•	•	•	•
	CABLE (IONISATION, PILOT + MAIN BURNER)	64203303		•	•	•	•	•	•	•	•	•	•	•	•	•	•	•	•
	CABLE (PILOT GAS VALVE)	64203304		•	•	•	•	•	•	•	•	•	•	•	•	•	•	•	•
	CABLE (PRESSURE SWITCH/PNUL SWITCH)	64203309		•	•	•	•	•	•	•	•	•	•	•	•	•	•	•	•
	CONVERSION CABLE	64202072		•	•	•	•	•	•	•	•	•	•	•	•	•	•	•	•
	IGNITION CABLE GAS VALVE	65000434		•	•	•	•	•	•	•	•	•	•	•	•	•	•	•	•
	WIRING (FLOW SWITCH)	64203302		•	•	•	•	•	•	•	•	•	•	•	•	•	•	•	•
	WIRING (PRESSURE SENSOR)	64203301		•	•	•	•	•	•	•	•	•	•	•	•	•	•	•	•
	WIRING (PROBES)	64203300		•	•	•	•	•	•	•	•	•	•	•	•	•	•	•	•
0844	FLAME SENSOR	64203520		•	•	•	•	•	•	•	•	•	•	•	•	•	•	•	•
0851	DISPLAY PLATE TRXXL	64203297		•	•	•	•	•	•	•	•	•	•	•	•	•	•	•	•
0852	RELAY ABB AF26-40-00-13	65108177								•	•	•	•	•	•	•	•	•	•
0853	SET RELAY 8A/250V-230V (5000)	64202976								•	•	•	•	•	•	•	•	•	•
0854	FREQ. INVERT. FILTER 22F-RF012-BL TRXXL	64203517									•	•	•	•	•	•	•	•	•
	FREQ. INVERT. FILTER 22F-RF6P0-AL TRXXL	64203514		•	•	•	•	•	•										
0855	FUSE DIN NH 000, GG, 600V (10.3 X 38) 6A	64203515		•	•														
	FUSE DIN NH 000, GG, 600V (10.3 X 38) 6A	64203515	ECO				•												
	FUSE DIN NH000GG 600V (10.3 X 38) 15A	64203518										•	•						
	FUSE DIN NH000GG 600V (10.3X38) 10A	64203516						•	•	•	•	•							
	FUSE DIN NH000GG 600V (10.3X38) 10A	64203516	SE					•											



☉⇒	Description	Manf. Pt. N	Type																			From	to
				1	2	3	4	5	6	7	8	9	10	11	12	13	14	15	16	17	18		
1001	FRONT CASING PANEL LEFT TRXXL	64203344				•	•																
	FRONT CASING PANEL LEFT TRXXL	65117885									•			•									
	PANEL (FRONT L.H.SIDE)	64203292		•	•				•	•			•										
1002	PIN CASING M6	64203293		•	•	•	•	•	•	•	•	•	•	•	•	•	•	•	•				
1003	FRONT CASING PANEL RIGHT TRXXL	64203342				•	•	•	•	•	•	•	•	•	•	•	•	•	•				
	PANEL (FRONT-R.H.SIDE)	64203289		•	•																		
1004	PANEL (R.H.SIDE)	64203290		•	•	•	•	•	•	•	•	•	•	•	•	•	•	•	•				
1005	PANEL (L.H.SIDE)	64203291		•	•																		
	SIDE CASING PANEL LEFT TRXXL	64203343				•	•	•	•	•	•	•	•	•	•	•	•	•	•				
1006	PANEL (FRONT-R.H.SIDE)	64203513		•	•	•	•	•	•	•	•	•	•	•	•	•	•	•	•				
1007	SIDE CASING PANEL RIGHT TRXXL	64203396												•	•	•							
1009	PANEL (TOP-SHORT)	64203294		•	•																		
	TOP PANEL LONG XXL	64203393												•	•	•							
	TOP PANEL MEDIUM TRXXL	64203346				•	•	•	•	•													
1010	COVER FOR CONTROL PANEL	65003458		•	•	•	•	•	•	•	•	•	•	•	•	•	•	•	•				
1014	CASING PANEL LEFT TRXXL	64203345				•	•																
	COVER PANEL LEFT TRXXL	64203373							•	•				•									
	COVER PANEL LEFT TRXXL	65117884									•			•					•				
1015	COVER PANEL LEFT TRXXL	64203347				•	•																
	COVER PANEL LEFT TRXXL	64203374							•	•				•									
	COVER PANEL LEFT TRXXL	65117886									•			•					•				
	PANEL (TOP-LEFT)	64203295		•	•																		
1017	BACK PLATE ASSEMBLY SE1300, ECO1150	65117883									•								•				
	BACK PLATE ASSEMBLY SE1500	64203392												•									
	BACK PLATE ASSEMBLY XXL	64203287				•				•													
	BACK PLATE ASSEMBLY XXL	64203361							•														
	BACK PLATE ASSEMBLY XXL	64203372								•													
	BACK PLATE ASSEMBLY XXL	64203404																	•				
	BACK PLATE ASSEMBLY XXL	64203466		•																			
	PANEL (REAR-UPPER)	64203341				•																	
1018	COVER PANEL REAR TRXXL	64203394												•									
	COVER PANEL REAR TRXXL	64203405																	•				
1019	SIDE CASING PANEL LEFT TRXXL	64203395												•	•	•							
1020	COVER AIR INTAKE HOLE TRXXL	64203296		•	•																		
	COVER AIR INTAKE HOLE TRXXL	64203348				•	•	•	•	•	•	•	•	•	•	•	•	•	•				
1021	3D LOGO ELCO	65118269		•	•	•	•	•	•	•	•	•	•	•	•	•	•	•	•				

TRIGO XXL SE ECO

Gas-stand. boiler atm. burner

## LIST OF THE ABBREVIATIONS

HW .....	: Hot water.
CW .....	: Cold water.
C .....	: Ceramic resistance (normal heating).
Ca .....	: Ceramic resistance (accelerated heating)
TP .....	: Immersion heater.
1F .....	: With fittings.
2F .....	: Without fittings.
3F .....	: With fittings and another outlet connection.
AMI .....	: With mixing valve.
SMI .....	: Without mixing valve.
PUISS .....	: Power of th appliance.
PN .....	: Appliance with normal pression.
LP .....	: Appliance with low pression.
PV .....	: Appliance with variable power.
PF .....	: Appliance with fixed power.

## IDENTIFICATION PLATE

### SERIAL NUMBER

<b>10 Characters :</b>	04 05 125 011		
		Sequential number	
		Manufacturing day	
		Year of manufacture	
<b>11 Characters :</b>	1 95 065004 - 31		
Month of manufacture :		Technical number of the appliance	
from 1 to 9 → Jan. to Sep.,		Sequential number	
O → Oct., N → Nov.,		Year of manufacture	
D → Dec.			
<b>19 Characters :</b>	08 05 0013199 900640031		
Year of manufacture		Product reference	
Month of manufacture		Sequential number	
<b>20 Characters :</b>	3675007 XX 2 07 070 00315		
Product reference		Sequential number	
Millenium of manufacture		Manufacturing day	
		Year of manufacture	
<b>21 Characters :</b>	3675007 XX 07 070 0000315		
Product reference		Sequential number	
Year of manufacture		Manufacturing day	