



**ARISTON**

# SPARE PARTS EXPLODED VIEW STORAGE ELECTRIC WATER HEATERS

Model

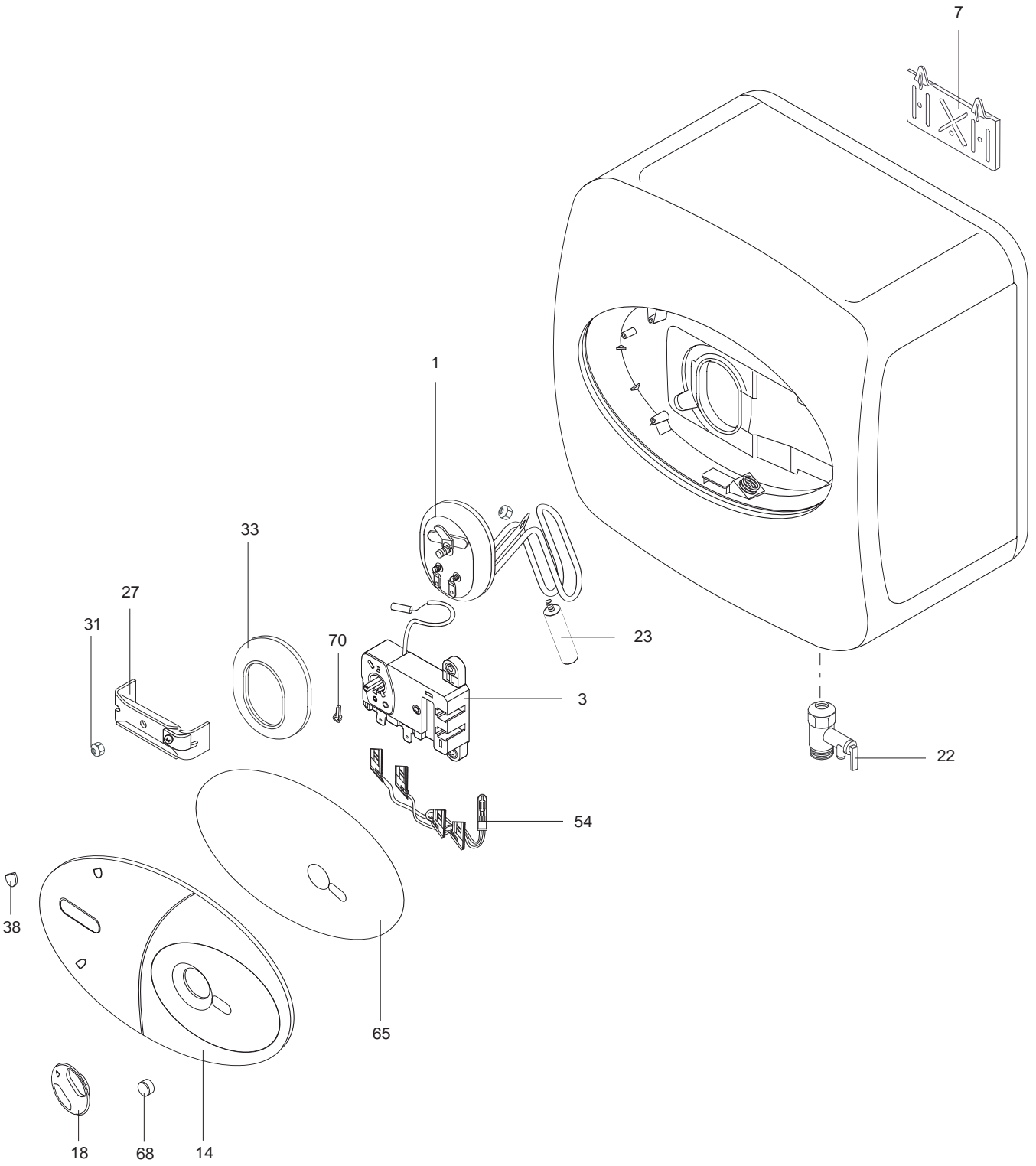
## **SHAPE R/5**

R8216513-03EN - Edition 03 - 01/04/2011

SHAPE R/5

Storage Electric Water Heaters

3100226		SHAPE 10 R/5	...	...
3100227		SHAPE 10 ST R/5	...	...
3100228		SHAPE 15 R/5	...	...
3100230		SHAPE 10 ST R/5 IPX5	...	...
3100245		SHAPE-ST 10 R/5	...	...
3100246		SHAPE-ST 10 ST R/5	...	...
3100247		SHAPE-ST 15 R/5	...	...
3100255		SHAPE 15 ST R/5	...	...
3100229		SHAPE 30 R/5	...	...
3100231		SHAPE 30 30/5 IPX5	...	...
3100248		SHAPE-ST 30 R/5	...	...
Reference	Ind.	Model type	Begin	End





## LIST OF THE ABBREVIATIONS

HW .....	: Hot water.
CW .....	: Cold water.
C .....	: Ceramic resistance (normal heating).
Ca .....	: Ceramic resistance (accelerated heating)
TP .....	: Immersion heater.
1F .....	: With fittings.
2F .....	: Without fittings.
3F .....	: With fittings and another outlet connection.
AMI .....	: With mixing valve.
SMI .....	: Without mixing valve.
PUISS .....	: Power of th appliance.
PN .....	: Appliance with normal pression.
LP .....	: Appliance with low pression.
PV .....	: Appliance with variable power.
PF .....	: Appliance with fixed power..

## IDENTIFICATION PLATE

### SERIAL NUMBER

<b>6 Characters :</b>	03 09 08	Manufacturing day Month of manufacture
<b>9 Characters :</b>	5 9 12 0606	Year of manufacture Month of manufacture Sequential number
<b>15 Characters :</b>	02 11 00001 007843	Year of manufacture Month of manufacture Code appareil Sequential number
<b>21 Characters :</b>	3200050 XX 08115 0000001	Product reference Year (08) / Manufacturing day (115) Sequential number
<b>22 Characters :</b>	3200050 XX 070115 0000001	Product reference Year (07) / Month (01) / Manufacturing day (15) Sequential number

The indications mentioned on the prices, commercial or technical literature and the scheme are written for your guidance and are available at a given time. The CONSTRUCTOR retains the power to modify the presentation, the form, the size, the conception or the material of the products.