



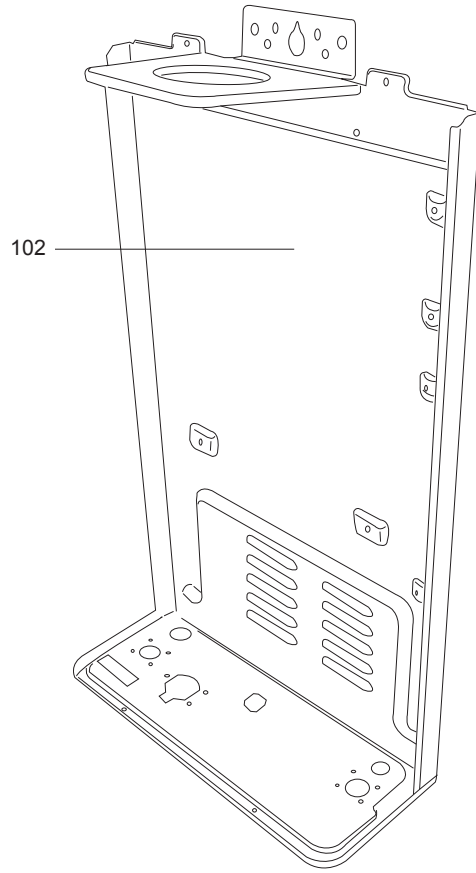
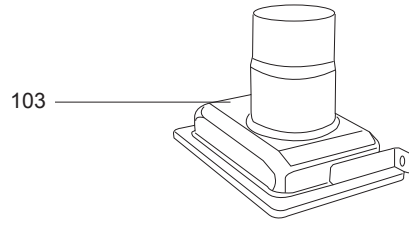
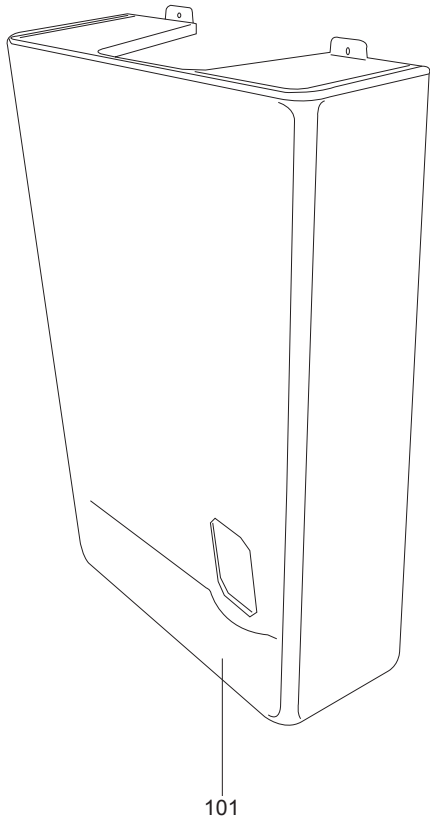
SPARE PARTS EXPLODED VIEW
INSTANTANEOUS GAS WATER HEATERS
Model
MARCO POLO M2 FF

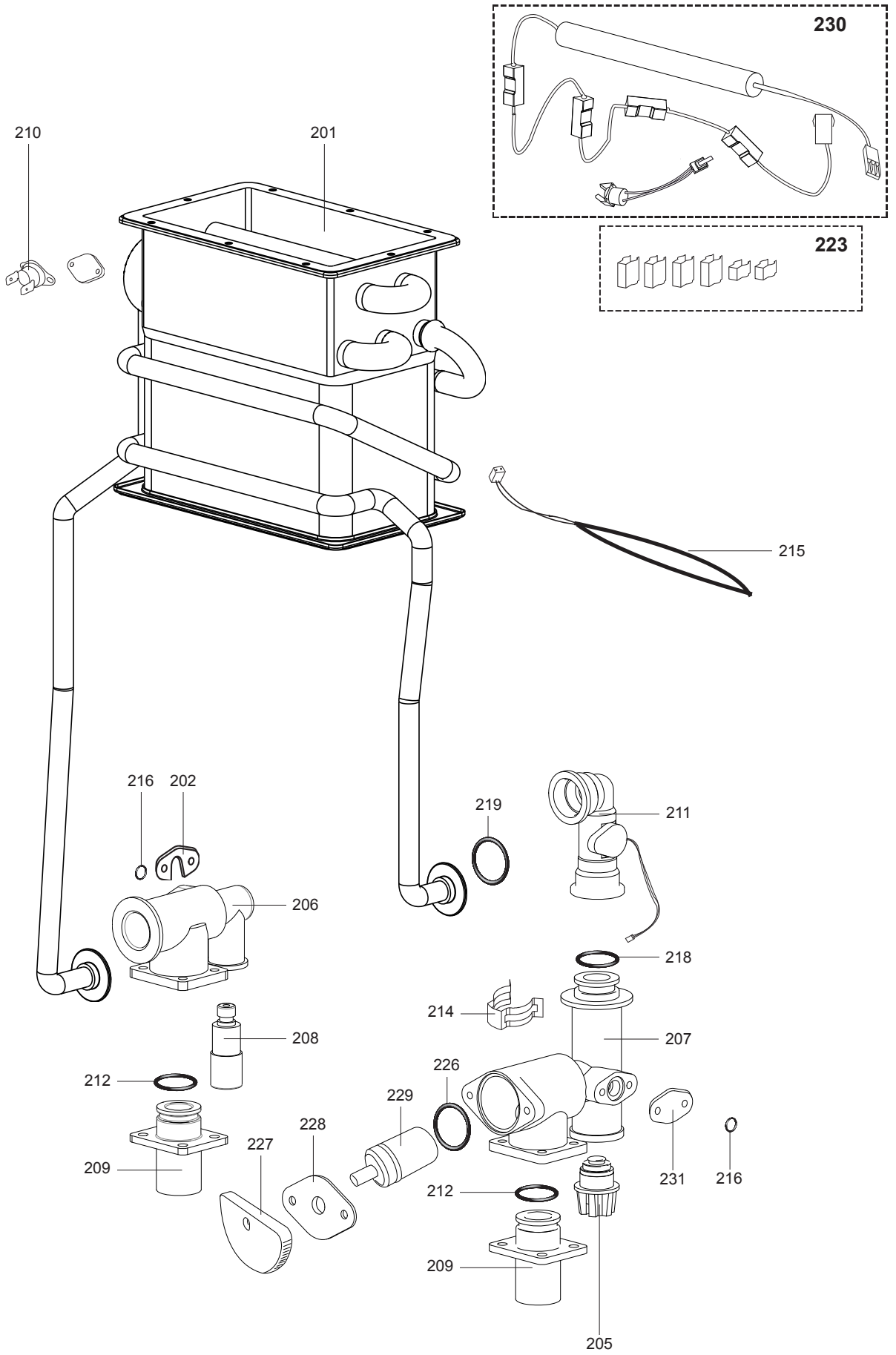
R8216791-03 - 04/06/2014

MARCO POLO M2 FF

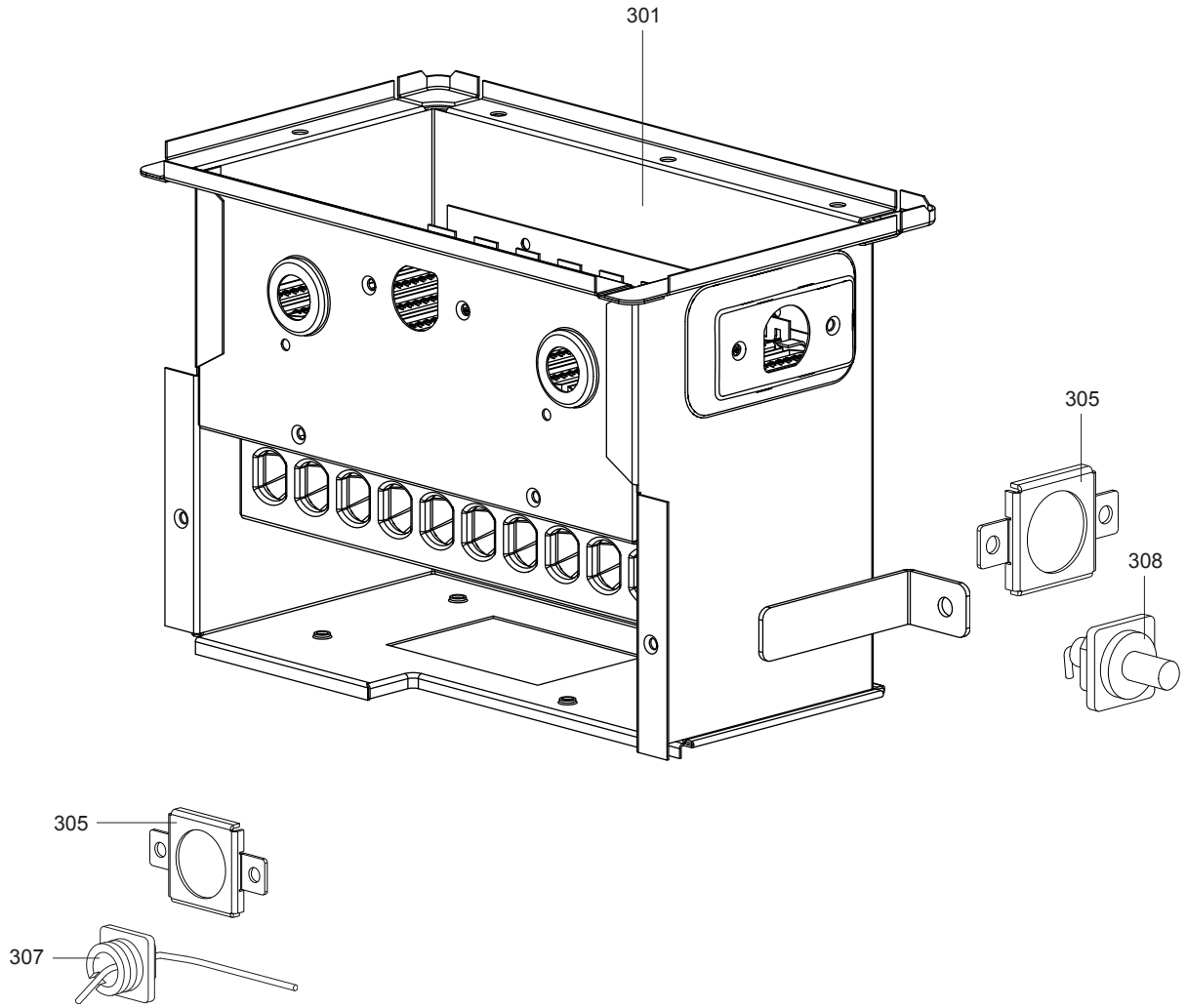
Instantaneous Gas Water Heaters

| | | | | |
|-----|-----------|-------------------------|---------|-----|
| 1 | 3612021 | MARCO POLO M2 10L FF NG | 12-2011 | - |
| Col | Reference | Model type | Begin | End |



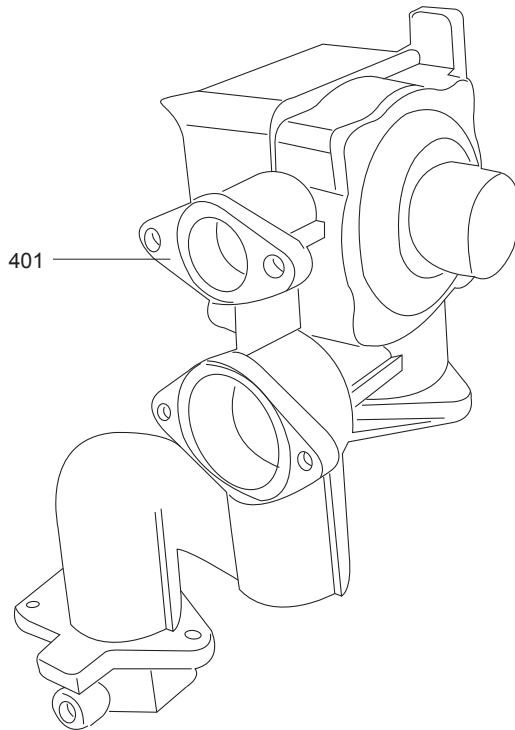
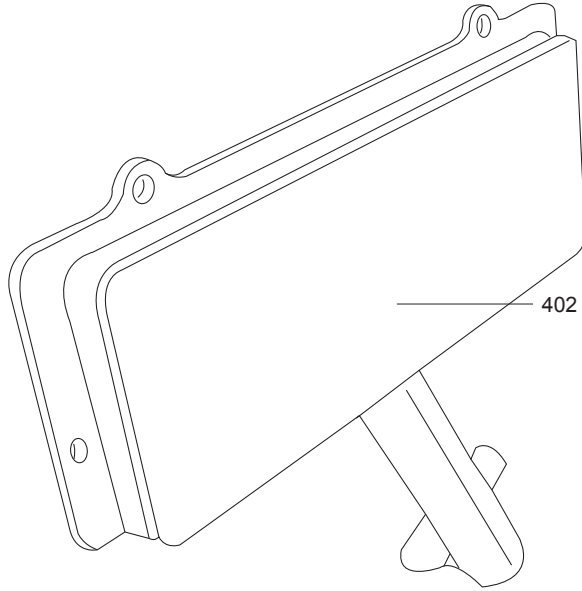


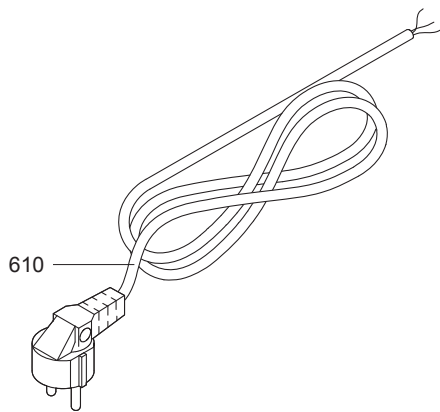
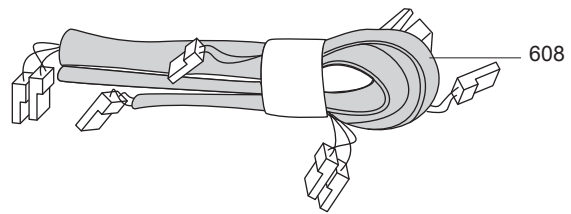
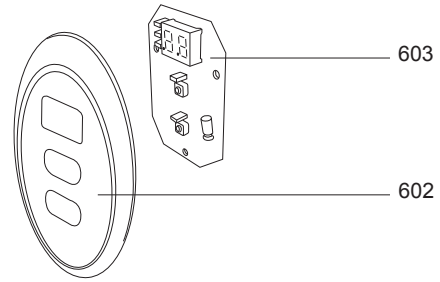
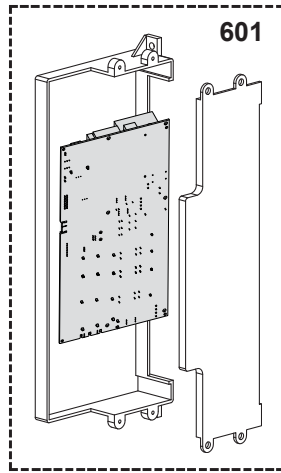
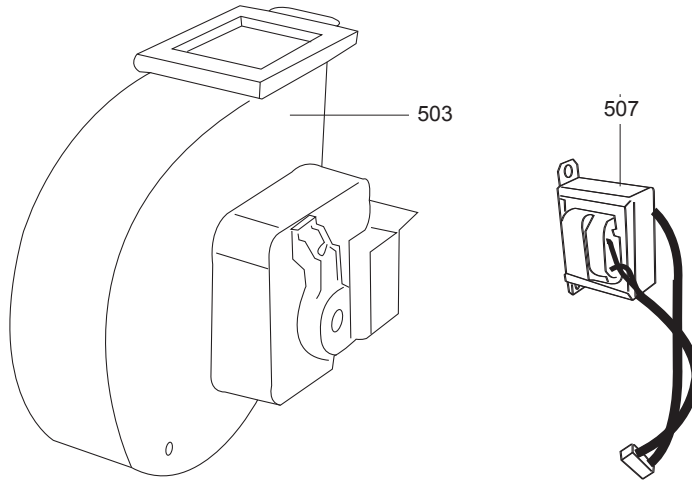
| ☉➔ | Description | Manf. Pt. N | Type | 10 L | | | | | | | | | | | | | | | | | |
|------|--|-------------|------|------|---|---|---|---|---|---|---|---|----|----|----|----|----|----|----|----|----|
| | | | | 1 | 2 | 3 | 4 | 5 | 6 | 7 | 8 | 9 | 10 | 11 | 12 | 13 | 14 | 15 | 16 | 17 | 18 |
| 0200 | КОРПУС | | | | | | | | | | | | | | | | | | | | |
| 0201 | ОСНОВНОЙ ТЕПЛООБМЕННИК | 65158338 | | • | | | | | | | | | | | | | | | | | |
| 0202 | КРОНШТЕЙН ДАТЧИКА ТЕМПЕРАТУРЫ | 65158153 | | • | | | | | | | | | | | | | | | | | |
| 0205 | ФИЛЬТР | 65158326 | | • | | | | | | | | | | | | | | | | | |
| 0206 | ГИДРАВЛИЧЕСКИЙ УЗЕЛ (ГОРЯЧАЯ ВОДА) | 65158318 | | • | | | | | | | | | | | | | | | | | |
| 0207 | ГИДРАВЛИЧЕСКИЙ УЗЕЛ (ХОЛОДНАЯ ВОДА) | 65158319 | | • | | | | | | | | | | | | | | | | | |
| 0208 | ПРЕДОХРАНИТЕЛЬНЫЙ КЛАПАН (8 БАР) | 65158062 | | • | | | | | | | | | | | | | | | | | |
| 0209 | ПАТРУБОК ПОДАЧИ ВОДЫ | 65158310 | | • | | | | | | | | | | | | | | | | | |
| 0210 | ТЕРМОСТАТ ПЕРЕГРЕВА 85°C | 65158036 | | • | | | | | | | | | | | | | | | | | |
| 0211 | ДАТЧИК ПРОТОКА | 65158269 | | • | | | | | | | | | | | | | | | | | |
| 0212 | О-КОЛЬЦО ПАТРУБКА ПОДАЧИ ВОДЫ (10 ШТ.) | 65158242 | | • | | | | | | | | | | | | | | | | | |
| 0214 | КЛИПСА (КОМПЛЕКТ 2 ШТ.) | 65158239 | | • | | | | | | | | | | | | | | | | | |
| 0215 | ТЕРМОПРЕДОХРАНИТЕЛЬ | 65158316 | | • | | | | | | | | | | | | | | | | | |
| 0216 | О-КОЛЬЦО 3.75X1.8 (КОМПЛЕКТ 10 ШТ.) | 65158146 | | • | | | | | | | | | | | | | | | | | |
| 0218 | О-КОЛЬЦО 15X2.65 (КОМПЛЕКТ 10 ШТ.) | 65158339 | | • | | | | | | | | | | | | | | | | | |
| 0219 | О-КОЛЬЦО 11.6X2.65 (КОМПЛЕКТ 10 ШТ.) | 65158273 | | • | | | | | | | | | | | | | | | | | |
| 0223 | КЛИПСЫ СИСТЕМЫ АНТИЗАМЕРЗАНИЯ | 65158331 | | • | | | | | | | | | | | | | | | | | |
| 0226 | О-КОЛЬЦО 18X2.65 (КОМПЛЕКТ 10 ШТ.) | 65158324 | | • | | | | | | | | | | | | | | | | | |
| 0227 | РУЧКА РЕГУЛЯТОРА ПРОТОКА | 65158321 | | • | | | | | | | | | | | | | | | | | |
| 0228 | КРОНШТЕЙН РЕГУЛЯТОРА ПРОТОКА | 65158322 | | • | | | | | | | | | | | | | | | | | |
| 0229 | РЕГУЛЯТОР ПРОТОКА | 65158325 | | • | | | | | | | | | | | | | | | | | |
| 0230 | СИСТЕМА АНТИЗАМЕРЗАНИЯ В СБОРЕ | 65158311 | | • | | | | | | | | | | | | | | | | | |
| 0231 | КРОНШТЕЙН ДАТЧИКА ТЕМПЕРАТУРЫ | 65158323 | | • | | | | | | | | | | | | | | | | | |





| | Description | Manf. Pt. N | Type | 1 | 2 | 3 | 4 | 5 | 6 | 7 | 8 | 9 | 10 | 11 | 12 | 13 | 14 | 15 | 16 | 17 | 18 | From | to |
|------|--------------------------------------|-------------|------|---|---|---|---|---|---|---|---|---|----|----|----|----|----|----|----|----|----|------|----|
| 0300 | ГОРЕЛКА | | | | | | | | | | | | | | | | | | | | | | |
| 0301 | КАМЕРА СГОРАНИЯ | 65158337 | | • | | | | | | | | | | | | | | | | | | | |
| 0305 | КРОНШТЕЙН ЭЛЕКТРОДА РОЗЖИГА/ИОНИЗАЦ. | 65158244 | | • | | | | | | | | | | | | | | | | | | | |
| 0307 | ЭЛЕКТРОД ИОНИЗАЦИИ | 65158286 | | • | | | | | | | | | | | | | | | | | | | |
| 0308 | ЭЛЕКТРОД РОЗЖИГА | 65158285 | | • | | | | | | | | | | | | | | | | | | | |





| ☉⇒ | Description | Manf. Pt. N | Type | 10 L | | | | | | | | | | | | | | | | | | From | to | | | |
|------|---------------------|-------------|------|------|---|---|---|---|---|---|---|---|----|----|----|----|----|----|----|----|----|------|----|--|--|--|
| | | | | 1 | 2 | 3 | 4 | 5 | 6 | 7 | 8 | 9 | 10 | 11 | 12 | 13 | 14 | 15 | 16 | 17 | 18 | | | | | |
| 0500 | ВЕНТИЛЯТОР | | | | | | | | | | | | | | | | | | | | | | | | | |
| 0503 | ВЕНТИЛЯТОР | 65158287 | | • | | | | | | | | | | | | | | | | | | | | | | |
| 0507 | ТРАНСФОРМАТОР | 65158305 | | • | | | | | | | | | | | | | | | | | | | | | | |
| 0600 | ЭЛЕКТРИЧЕСКАЯ ЧАСТЬ | | | | | | | | | | | | | | | | | | | | | | | | | |
| 0601 | ОСНОВНАЯ ПЛАТА | 65158301 | | • | | | | | | | | | | | | | | | | | | | | | | |
| 0602 | ПАНЕЛЬ УПРАВЛЕНИЯ | 65158307 | | • | | | | | | | | | | | | | | | | | | | | | | |
| 0603 | ПЛАТА ДИСПЛЕЯ | 65158313 | | • | | | | | | | | | | | | | | | | | | | | | | |
| 0608 | КОМПЛЕКТ ПРОВОДОВ | 65158303 | | • | | | | | | | | | | | | | | | | | | | | | | |
| 0610 | КАБЕЛЬ ПИТАНИЯ | 65158888 | | • | | | | | | | | | | | | | | | | | | | | | | |

LIST OF THE ABBREVIATIONS

| | |
|-------------|--|
| HW | : Hot water. |
| CW | : Cold water. |
| C | : Ceramic resistance (normal heating). |
| Ca | : Ceramic resistance (accelerated heating) |
| TP | : Immersion heater. |
| 1F | : With fittings. |
| 2F | : Without fittings. |
| 3F | : With fittings and another outlet connection. |
| AMI | : With mixing valve. |
| SMI | : Without mixing valve. |
| PUISS | : Power of th appliance. |
| PN | : Appliance with normal pression. |
| LP | : Appliance with low pression. |
| PV | : Appliance with variable power. |
| PF | : Appliance with fixed power. |

IDENTIFICATION PLATE

SERIAL NUMBER

6 Characters :
 Year of manufacture 03 09 08 Manufacturing day
 Month of manufacture

9 Characters :
 Year of manufacture M 12 10 0606 Sequential number
 Month of manufacture

14 Characters :
 SI-V-0B0 45 07 0001
 Sequential number
 Year of manufacture : → 6 → 2004
 Month of manufacture : → 25 → January 43 → July 7 → 2005
 13 → February 29 → August 8 → 2006
 32 → March 40 → September etc ...
 35 → April 38 → October
 39 → May 51 → November
 45 → June 12 → December

15 Characters :
 Year of manufacture 02 11 00001 007843 Code appareil
 Month of manufacture Sequential number

21 Characters :
 Product reference 3200050 XX 08115 0000001
 Sequential number
 Year (08) / Manufacturing day (115)

22 Characters :
 Product reference 3200050 XX 070115 0000001
 Sequential number
 Year (07) / Month (01) / Manufacturing day (15)