



SPARE PARTS EXPLODED VIEW GAS-WALL CONDENSING BOILERS

Model

THISION L ECO

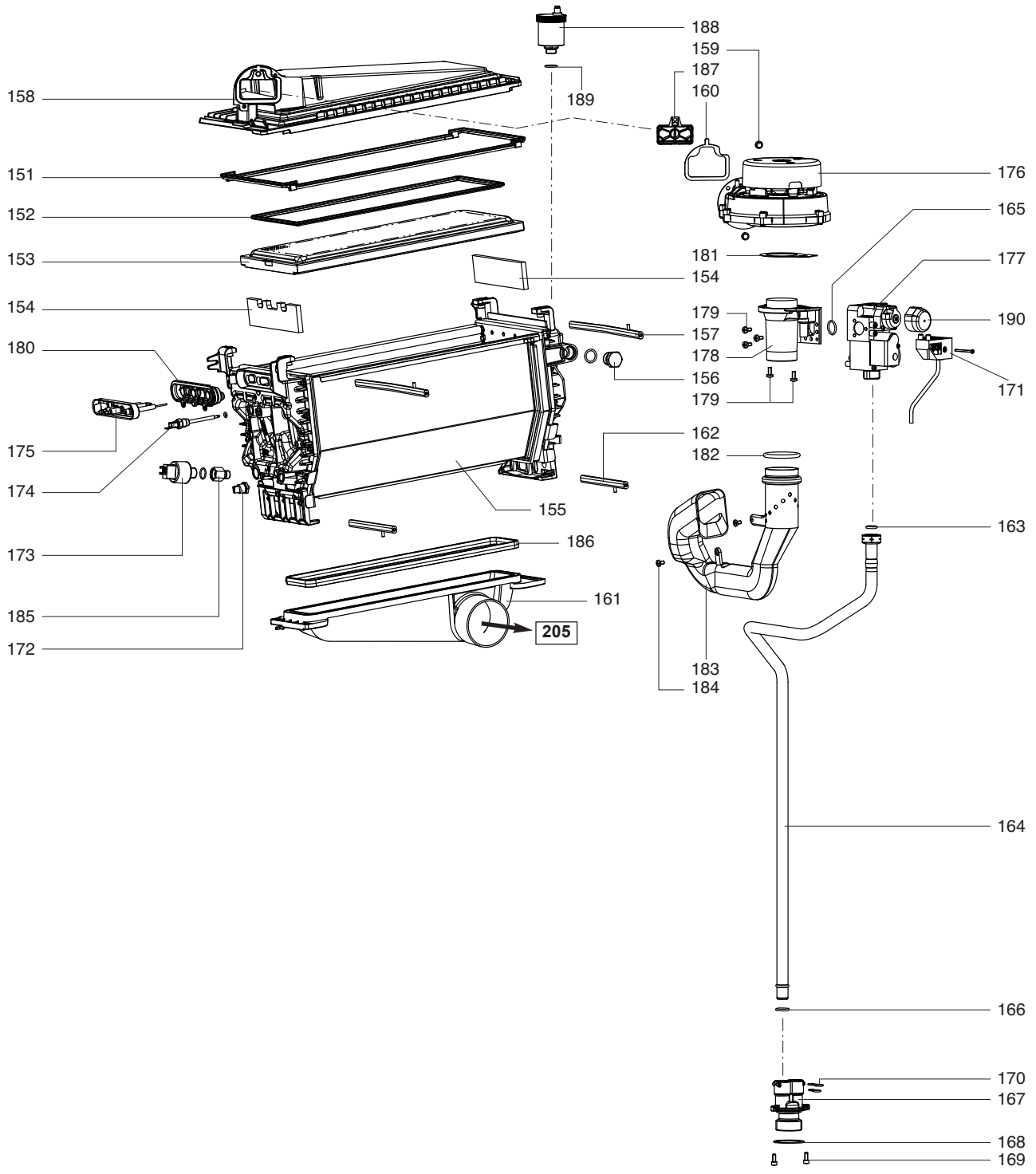
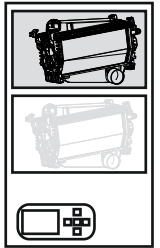
R8217541-02 - 24/01/2017

THISION L ECO

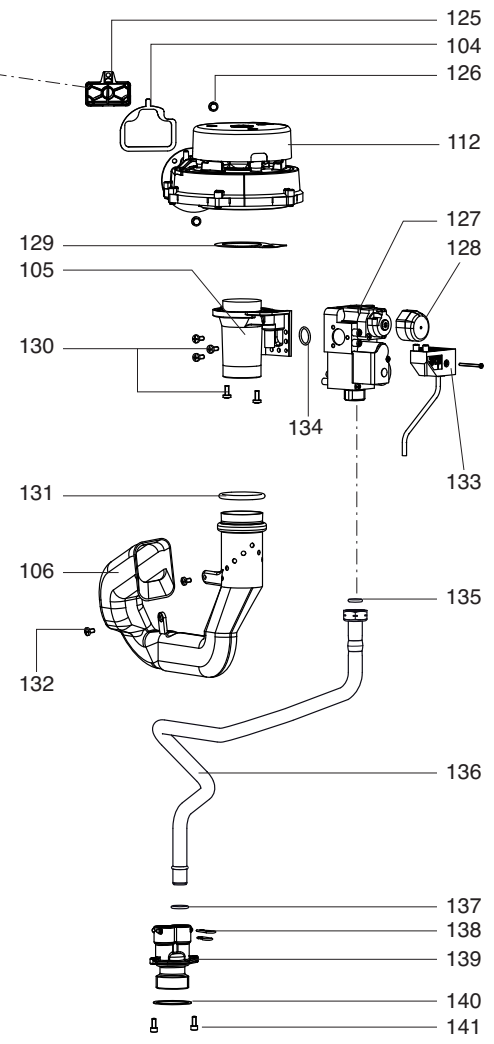
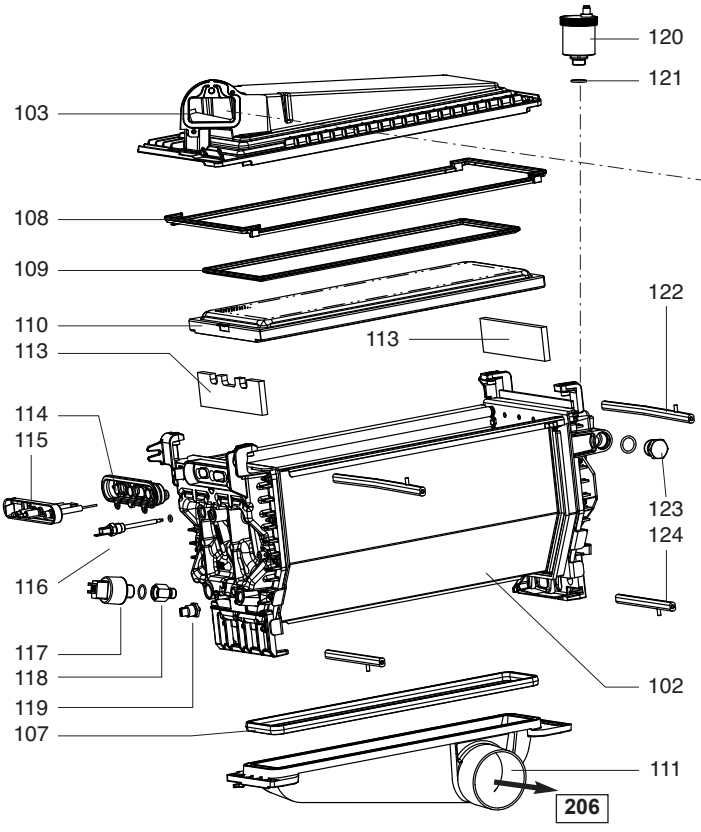
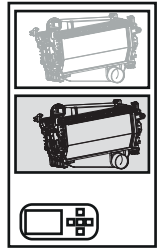
Gas-wall condensing boilers

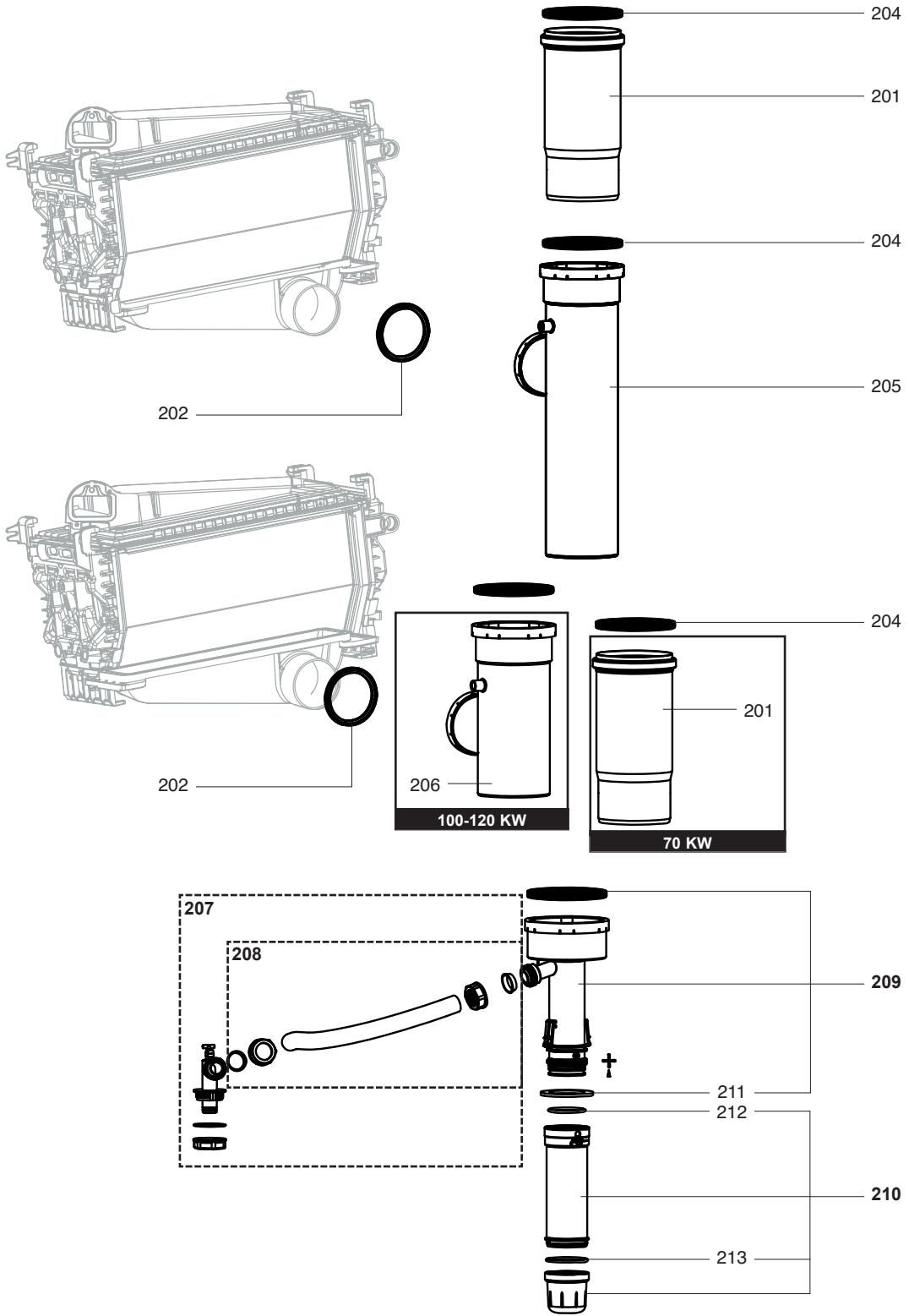
1	3900020	THISION L ECO 70	07-2016	-
2	3900021	THISION L ECO 100	07-2016	-
3	3900022	THISION L ECO 120	07-2016	-

Col	Reference	Model type	Begin	End
-----	-----------	------------	-------	-----




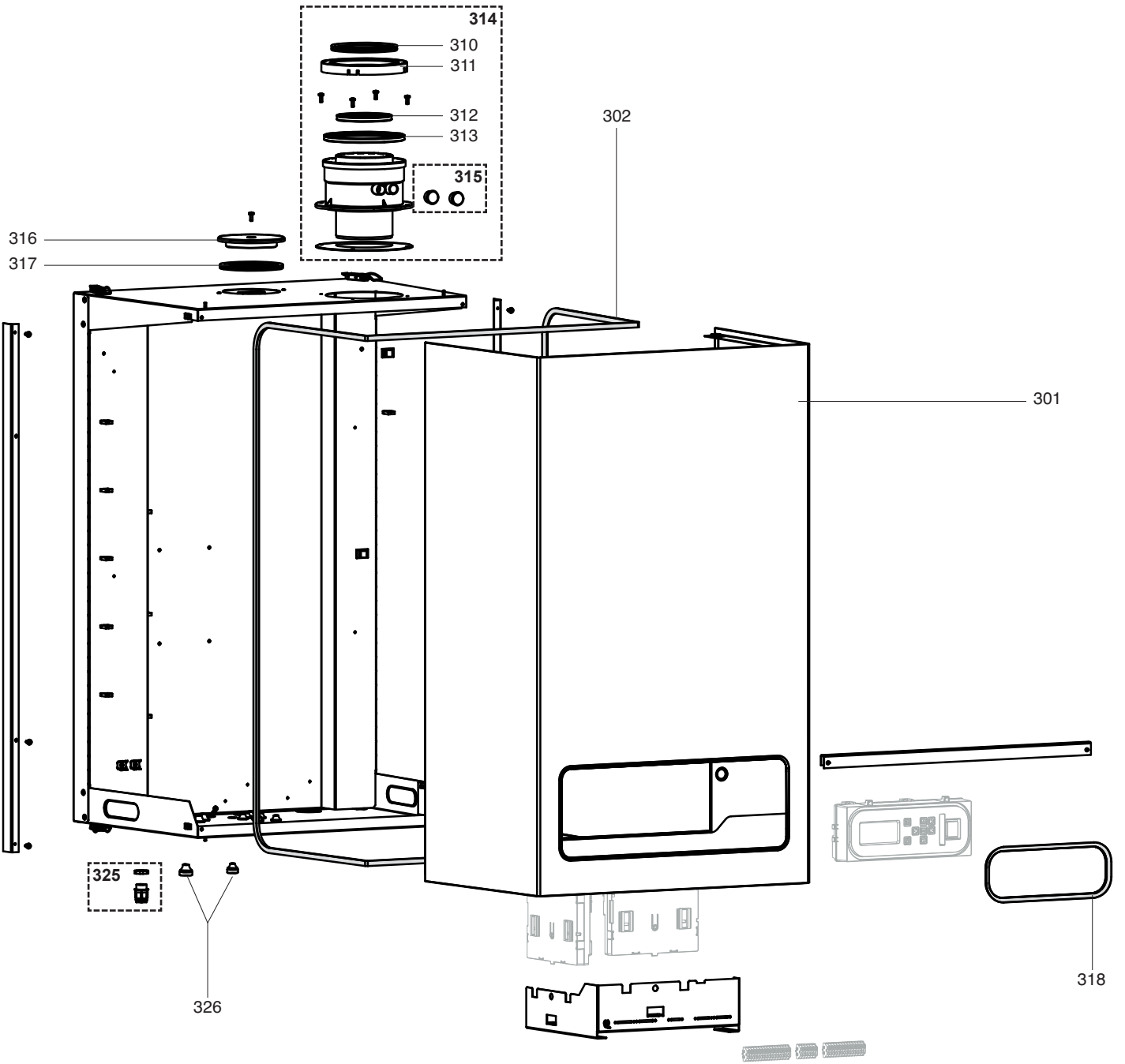
⊕⇒	Description	Manf. Pt. N	Type	THISION L ECO 70 THISION L ECO 100 THISION L ECO 120														From	to					
				1	2	3	4	5	6	7	8	9	10	11	12	13	14			15	16	17	18	
0151	GASK.HEAT EXCH./TOP PART OSS2	64990257		•	•	•																		
0152	GASK. BURN./TOP PART HE OSS4	65000939		•	•	•																		
0153	BURNER CASSETTE OSS4 NATURAL GAS	65001462		•	•	•																		
0154	KIT INSULATION SHIELDS OSS	65002012		•	•	•																		
0155	HEAT EXCHANGER OSS4 1MM	64990011		•	•	•																		
0156	STOPFEN 1/2"	64990258		•	•	•																		
0157	CLAMP BAR TOP PART H.EX. LONG	87310800		•	•	•																		
0158	TOP PART H.EXCH.OSS4	64990250		•	•	•																		
0159	BOLT M 5X16 5X	64990005		•	•	•																		
0160	GASKET FAN/TOP PART OSS4	64990253		•	•	•																		
0161	CONDENSATE TRAY OSS4	64990261		•	•	•																		
0162	CLAMP BAR COND.TRAY	87310700		•	•	•																		
0163	O-RING Ø14.30 X 2.40 GAS PIPE A(3X)	64990042		•	•	•																		
0164	GASPIPE LONG	64990267		•	•	•																		
0165	GASKET GAS VALVE-VENTURI	87337610		•	•	•																		
0166	O-RING Ø17,12x2.62 GAS PIPE (3x)	64990270		•	•	•																		
0167	FEED THROUGH GAS PIPE DUO	64990272			•	•																		
	FEED THROUGH GAS PIPE 70 MONO	64990271		•																				
0168	GASKET FEED THROUGH GAS PIPE	64990273		•	•	•																		
0169	BOLT M5 X 12 IMBUS (3X)	64990129		•	•	•																		
0170	CATCH STRING HYDRAULICBLOCK	64990211		•	•	•																		
0171	IGNITION TRANSFORMER	64990294		•	•	•																		
0172	NTC SENSOR T2/T3 10K	64990075		•	•	•																		
0173	PRESSURE SWITCH 0-4BAR 0.5-3.5V HUBA	65001929		•	•	•																		
0174	NTC FLOW 10K	64990076		•	•	•																		
0175	IGNITION ELECTRODE OSS	65000928		•	•	•																		
0176	FAN 230V OSS4	64990297		•	•	•																		
0177	GAS VALVE 230V	64990080		•	•	•																		
0178	VENTURI OSS4	87319020		•	•	•																		
0179	BOLT M5X12GR FASE ZSDIN7985 (5X)	64990006		•	•	•																		
0180	GASKET ION./IGNITION OSS	64990007		•	•	•																		
0181	GASKET VENTURI-FAN	87325610		•	•	•																		
0182	GASKET SILENCER-VENTURI	64990008		•	•	•																		
0183	DAMPER OSS4	171452		•	•	•																		
0184	SCREW M5 X 8 CK-PD DIN7500 C (3X)	64990128		•	•	•																		
0185	WATERLOCK PRESS.SENSOR	87325900		•	•	•																		
0186	GASKET UNDERPART OSS4	65000936		•	•	•																		
0187	NON RETURN VALVE OSS	64990255		•	•	•																		
0188	DE-AERATOR CHROME	87344500		•	•	•																		
0189	O-RING Ø13,94X2,62 DE-AER.	87342300		•	•	•																		
0190	PLUG GASVALVE	64990256		•	•	•																		





THISION L ECO 70
 THISION L ECO 100
 THISION L ECO 120

☉→	Description	Manf. Pt. N	Type																			From	to
				1	2	3	4	5	6	7	8	9	10	11	12	13	14	15	16	17	18		
0201	SLIDING PIECE FLUE GAS Ø110	64990264		•	•	•																	
0202	GASKET FLUEGAS Ø 80 (3X)	64990259		•	•	•																	
0204	GASKET FLUEGAS Ø110 (3X)	64990263		•	•	•																	
0205	T-PIECE FLUE GAS BOTTOM Ø110 / Ø80	64990265			•	•																	
0206	T-PIECE FLUE GAS TOP Ø110/80	64990266			•	•																	
0207	FEED THROUGH CONDENSATE DRAIN CPL.	64990275		•	•	•																	
0208	HOSE CONDENSATE DRAIN + FITTINGS	64990276		•	•	•																	
0209	SIPHON INTERNEL PIPE	64990277		•	•	•																	
0210	SYPHON EXTERNAL CPL.	64990278		•	•	•																	
0211	GASKET SIFON/COVER	64990279		•	•	•																	
0212	O-RING ø50X3,5 SYPHONCUP	87316400		•	•	•																	
0213	O-RING 56,82x2,62 SIFON CUP	64990281		•	•	•																	



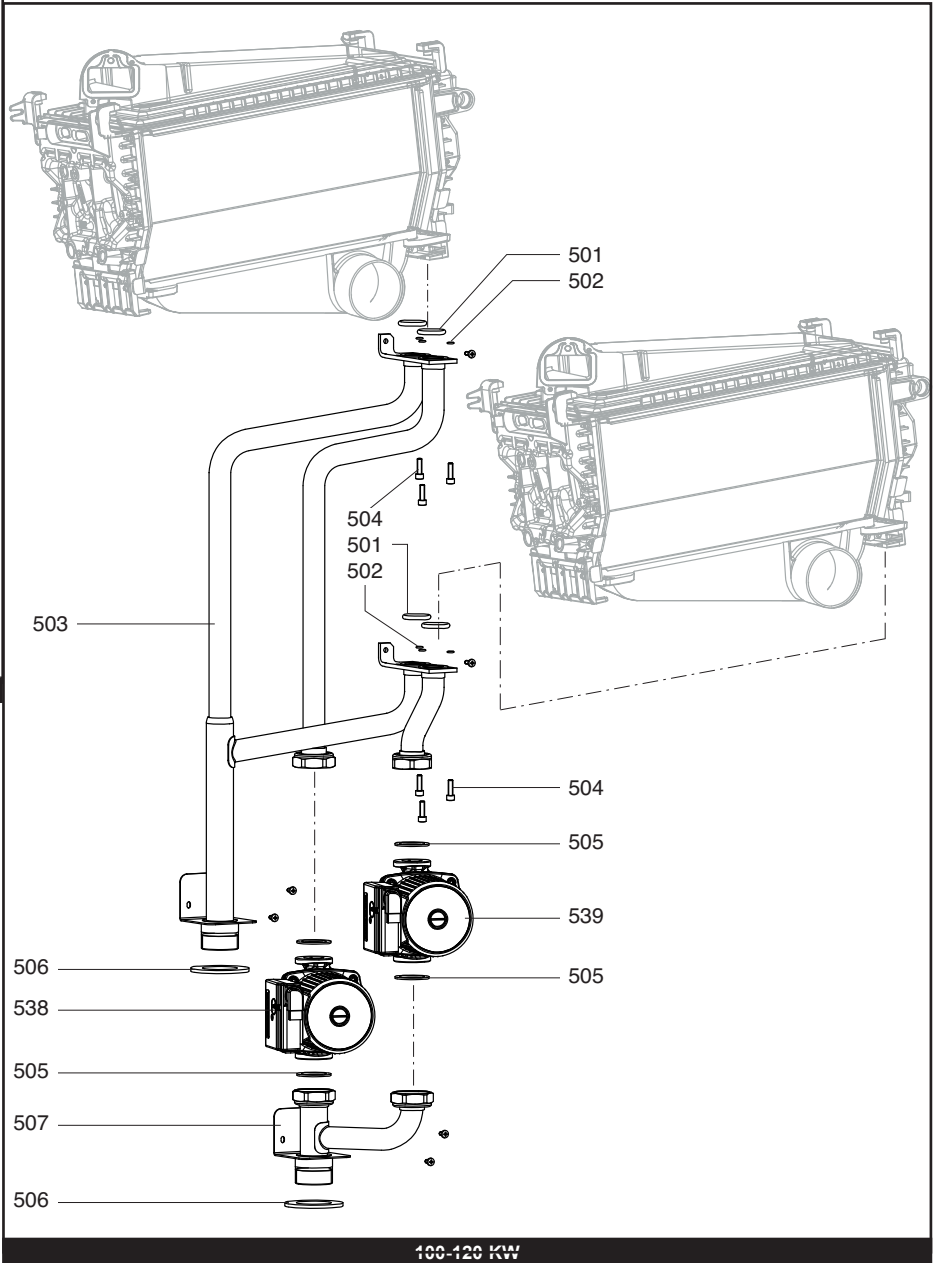
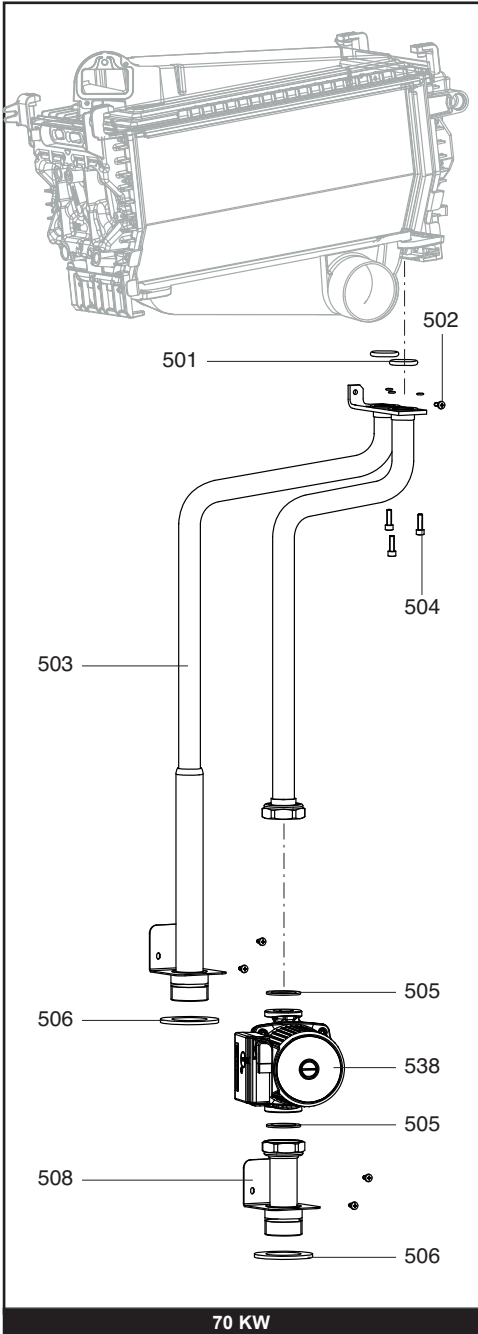
THISION L ECO 70
 THISION L ECO 100
 THISION L ECO 120

31

☉➡	Description	Manf. Pt. N	Type																			From	to			
				1	2	3	4	5	6	7	8	9	10	11	12	13	14	15	16	17	18					
0301	COVER L ECO	64990235		•	•	•																				
0302	GASKET AIRBOX	64990236		•	•	•																				
0310	GASKET AIR SUPPLY D:100	64990237		•	•	•																				
0311	COVER AIR INTAKE D:150/100	64990238		•	•	•																				
0312	GASKET FLUEGAS D:100 (3X)	64990239		•	•	•																				
0313	GASKET AIRINTAKE D: 150 (3X)	64990240		•	•	•																				
0314	CONC. CONNECTION PIECE	64990241		•	•	•																				
0315	PLUGS FLUE SENSOR	64990242		•	•	•																				
0316	COVER AIR INTAKE D:100	64990243		•	•	•																				
0317	GASKET AIR INTAKE D:100	64990244		•	•	•																				
0318	GASKET MMI / CASING	64990245		•	•	•																				
0325	CABLE FEED THROUGH PG 13,5 (4X)	64990247		•	•	•																				
	CABLE FEED THROUGH PG 9 (4X)	64990246		•	•	•																				
0326	FEED THROUGH M16 (4X)	64990248		•	•	•																				
	FEED THROUGH M20 (4X)	64990249		•	•	•																				

THISION L ECO

Gas-wall condensing boilers



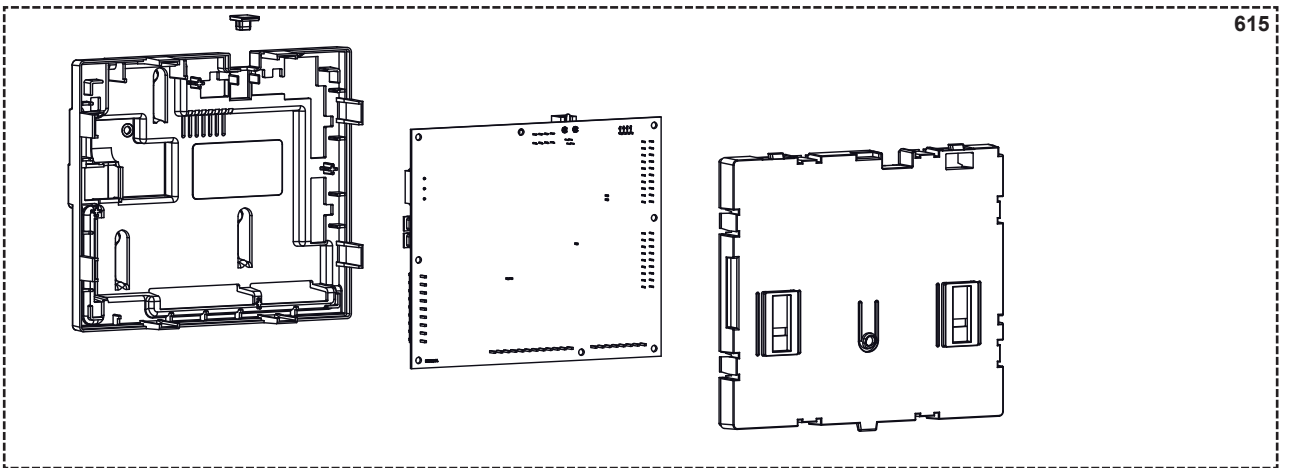
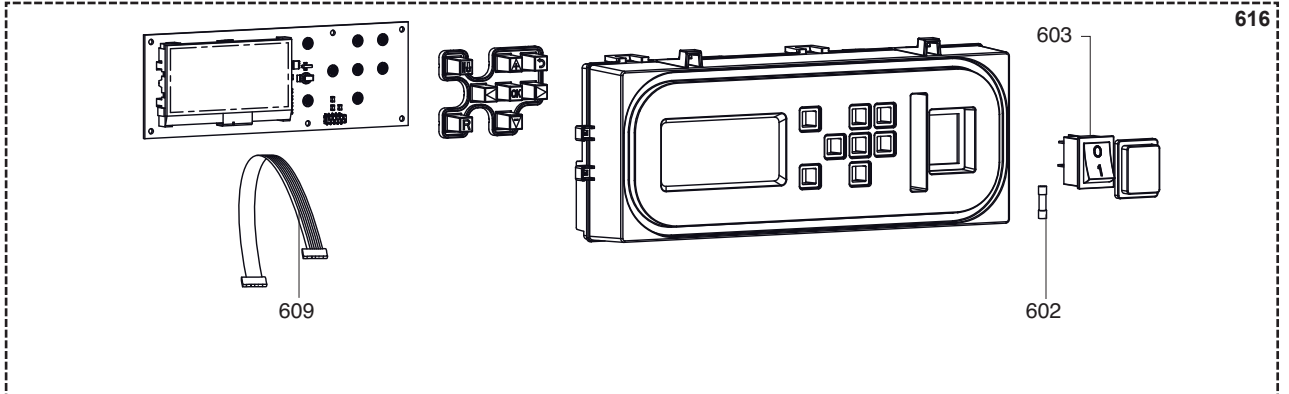
THISION L ECO 70
 THISION L ECO 100
 THISION L ECO 120

31

⊖→	Description	Manf. Pt. N	Type	THISION L ECO 70 THISION L ECO 100 THISION L ECO 120																		
				1	2	3	4	5	6	7	8	9	10	11	12	13	14	15	16	17	18	From
	0501 O-RING ø29,74X3,53 FLOW/RET.(2X)	65001198		●	●	●																
	0502 O-RING 4.8X1.8 LOCK.HE SHR 3X	64990282		●	●	●																
	0503 FLOW PIPE 105/110/116/140	64990283		●	●																	
	FLOW PIPE 70 MONO	64990284		●																		
	0504 BOUT M6X20 SS IMB.BP.4,2 3X	64990285		●	●	●																
	0505 PUMP GASKET 2X	64990109		●	●	●																
	0506 GASKET FEED THROUGH RETURN PIPE	64990286		●	●	●																
	0507 RETURN PIPE 105/110/140 DUO	64990287			●	●																
	0508 RETURN PIPE 70 MONO	64990288		●																		
	0538 PUMP UPM 25-85 ERP A-LABEL	64990299		●	●	●																
	0539 PUMP UPM 20-60 ERP A LABEL	64990300			●																	
	PUMP UPM 25-85 ERP A-LABEL	64990299				●																

THISION L ECO

Gas-wall condensing boilers



☞	Description	Manf. Pt. N	Type	1	2	3	4	5	6	7	8	9	10	11	12	13	14	15	16	17	18	From	to
	0601 CABLE HARNESS	64990289		●	●	●																	
	0602 FUSES 2PCS T6.3A H 250V FOR LMS	64201792		●	●	●																	
	0603 SWITCH 230V	64990073		●	●	●																	
	0609 FLAT CABLE BIC-MMI	64990293		●	●	●																	
	0610 IGNITION CABLE SET	64990295		●	●	●																	
	0615 CONTROL UNIT BIC	64990290		●	●	●																	
	0616 DISPLAY MMI	64990291		●	●	●																	

LIST OF THE ABBREVIATIONS

HW	: Hot water.
CW	: Cold water.
C	: Ceramic resistance (normal heating).
Ca	: Ceramic resistance (accelerated heating)
TP	: Immersion heater.
1F	: With fittings.
2F	: Without fittings.
3F	: With fittings and another outlet connection.
AMI	: With mixing valve.
SMI	: Without mixing valve.
PUISS	: Power of th appliance.
PN	: Appliance with normal pression.
LP	: Appliance with low pression.
PV	: Appliance with variable power.
PF	: Appliance with fixed power.

IDENTIFICATION PLATE

SERIAL NUMBER

10 Characters :	04 05 125 011	Sequential number Manufacturing day Year of manufacture
11 Characters :	1 95 065004 - 31	Technical number of the appliance Sequential number Year of manufacture
Month of manufacture : from 1 to 9 → Jan. to Sep., O → Oct., N → Nov., D → Dec.		
19 Characters :	08 05 0013199 900640031	Product reference Sequential number
Year of manufacture Month of manufacture		
20 Characters :	3675007 XX 2 07 070 00315	Sequential number Manufacturing day Year of manufacture
Product reference Millenium of manufacture		
21 Characters :	3675007 XX 07 070 0000315	Sequential number Manufacturing day
Product reference Year of manufacture		