

SPARE PARTS EXPLODED VIEW ACCESSORIES FOR PUMP GROUPS

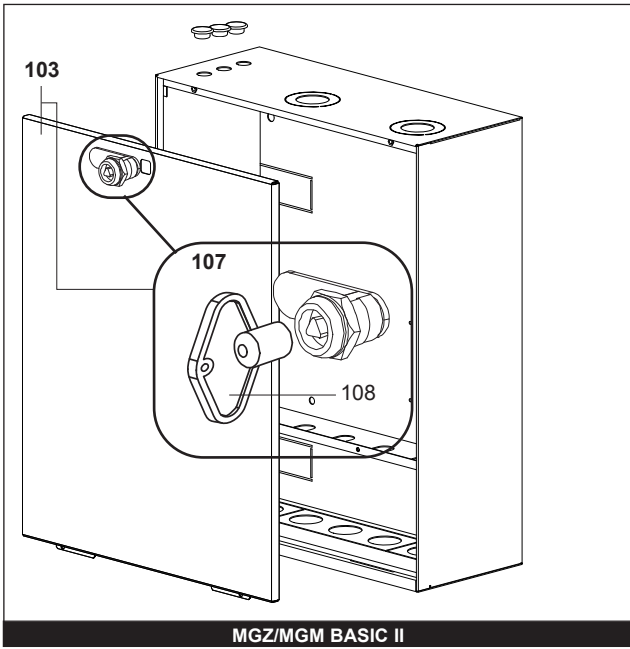
Model

MGZ-MGM-MCD-KIT MULTIFUNC.

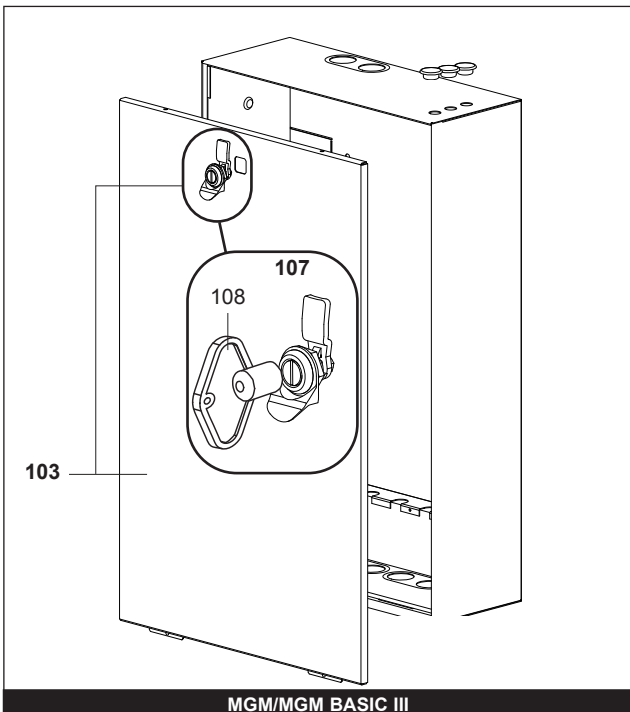
R8216827-10 - 12/11/2019

1	3318620	MGZ I EVO - 1 HT ZONE MODULE	06-2012	-
2	3318621	MGZ II EVO - 2 HT ZONES MODULE	06-2012	-
3	3318622	MGZ III EVO -3 ZONES HT MODULE	06-2012	-
4	3318624	MGM II EVO -2 ZONES HT+LT MODULE	06-2012	-
5	3318625	MGM III EVO-3 ZONES (HT+2 LT) MODULE	06-2012	-
6	3318626	MCD IV-MODULE 2 ZONES HT+BT	06-2012	07-2015
7	3318650	MGZ I BASIC	06-2012	11-2016
8	3318651	MGZ II BASIC	06-2012	11-2016
9	3318652	MGZ III BASIC	06-2012	11-2016
10	3318623	MGM II BASIC	06-2012	11-2016
11	3318653	MGM III BASIC	09-2012	11-2016
12	3318628	ZONE MANAGER KIT	09-2012	-
13	3318902	MCD IV - MODULE 2 ZONES HT+BT V2	08-2015	04-2018
14	3319187	MCD IV GAL EVO II	11-2017	-

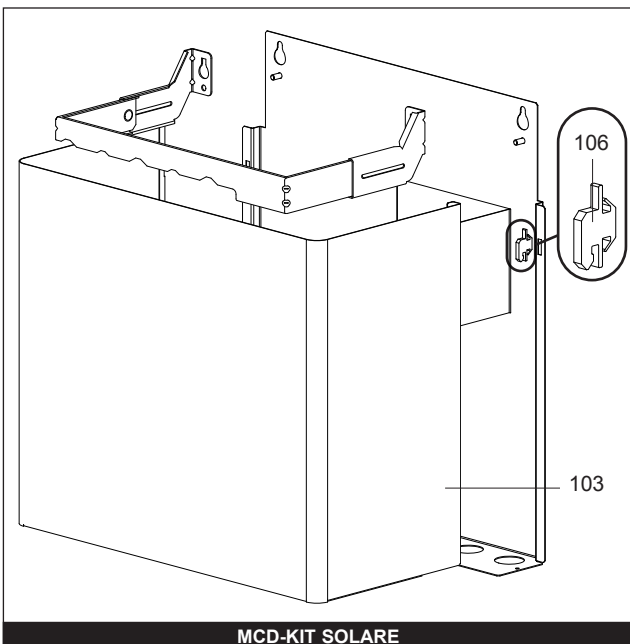
Col	Reference	Model type	Begin	End
-----	-----------	------------	-------	-----



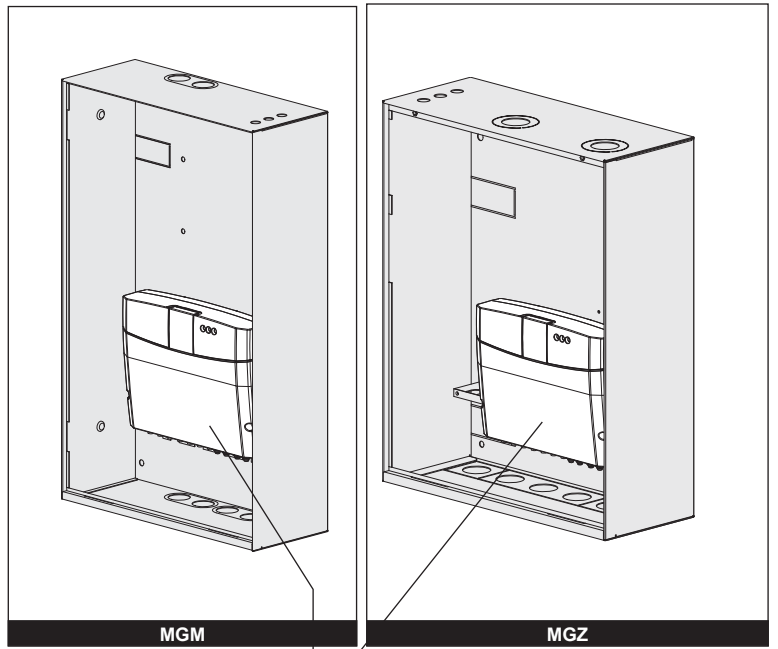
MGZ/MGM BASIC II



MGM/MGM BASIC III

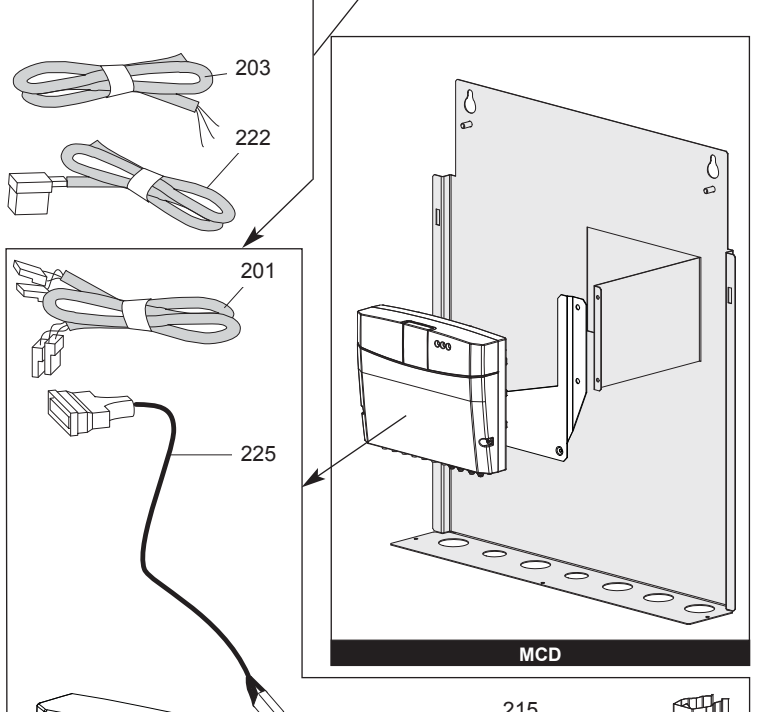


MCD-KIT SOLARE

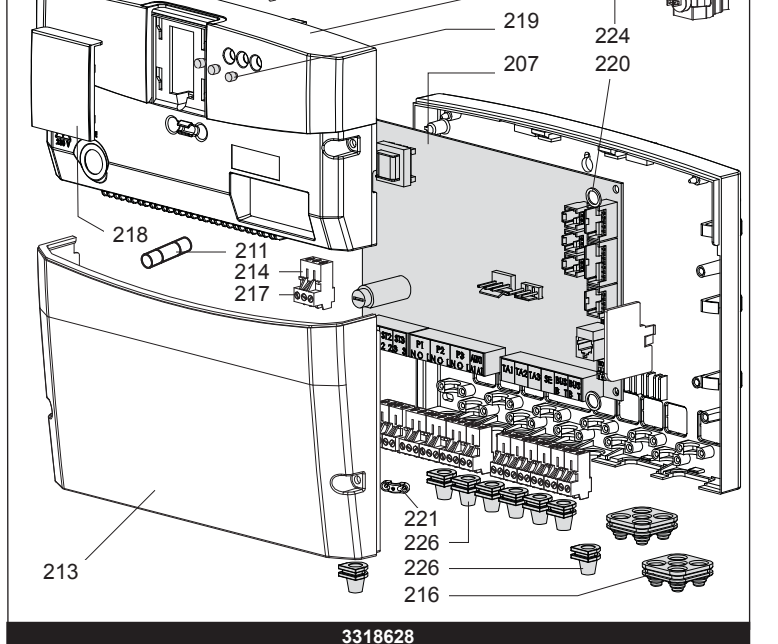


MGM

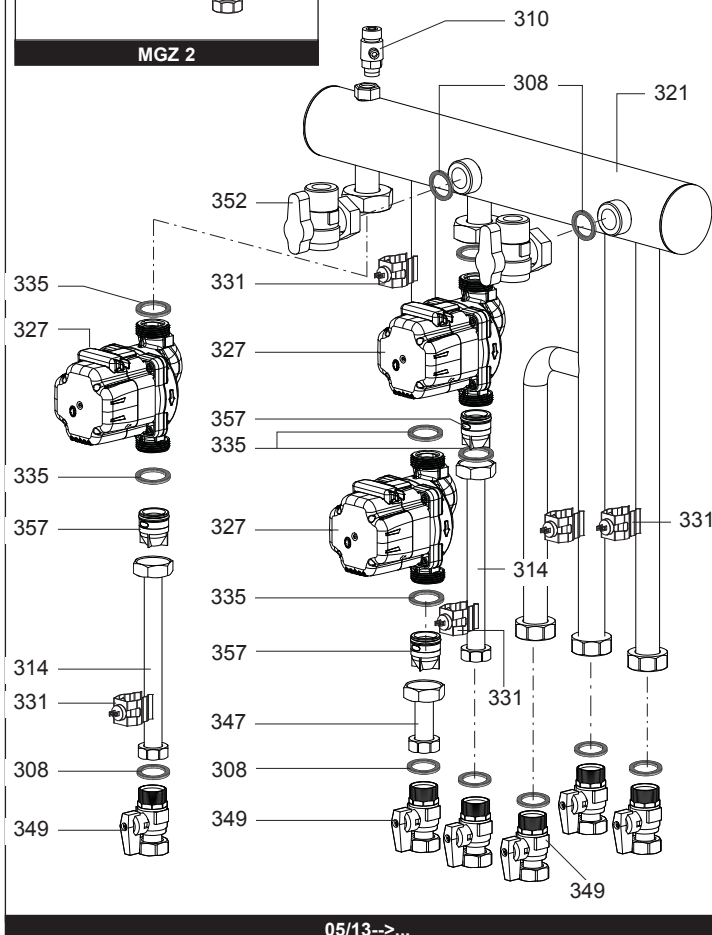
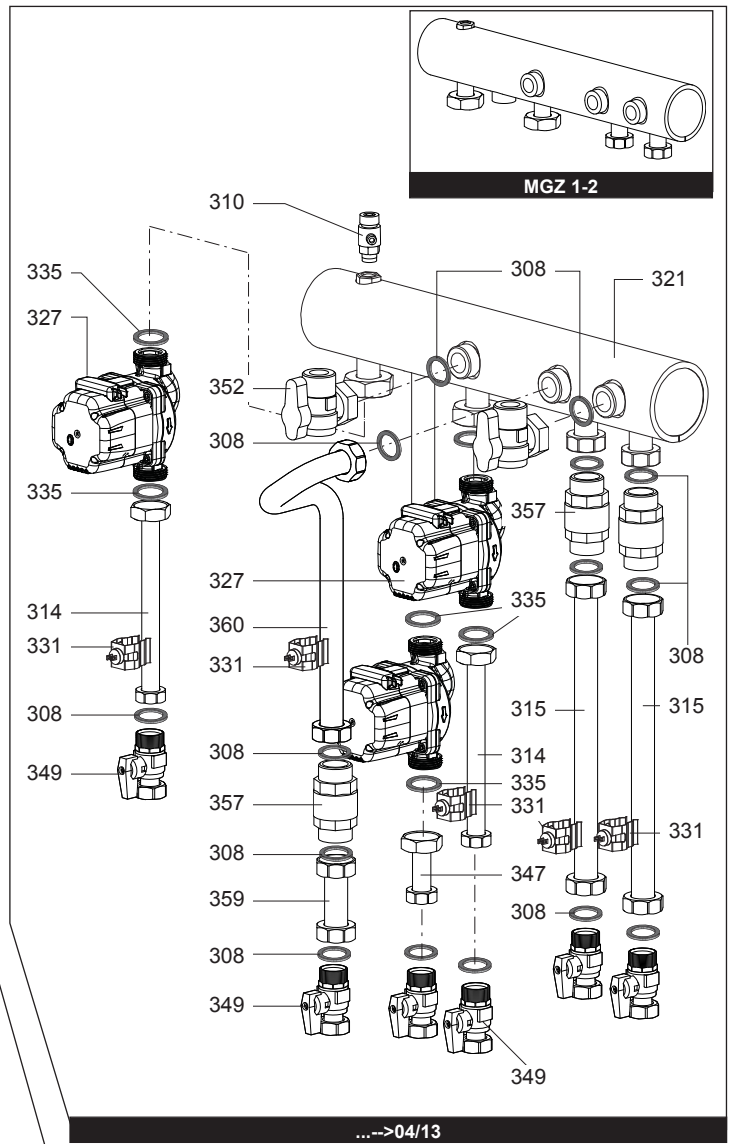
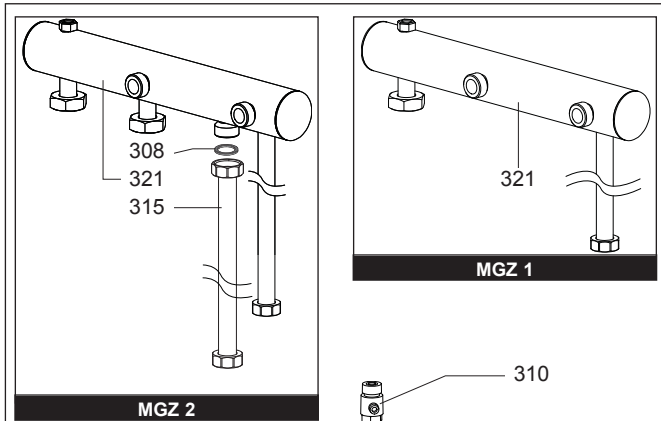
MGZ

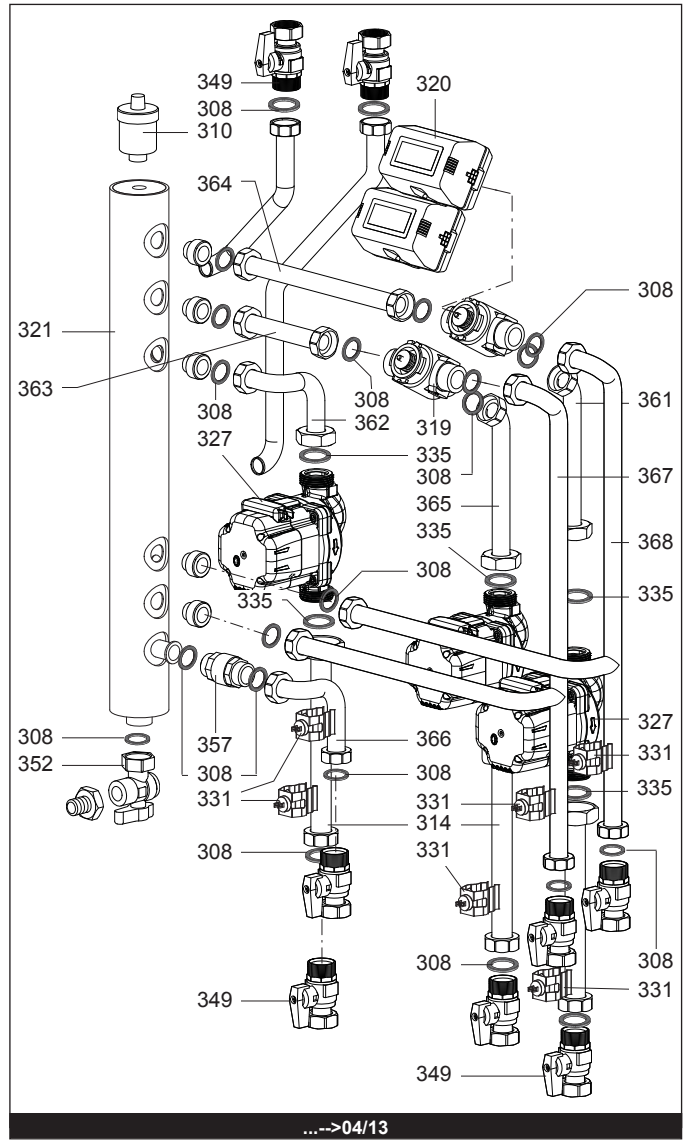
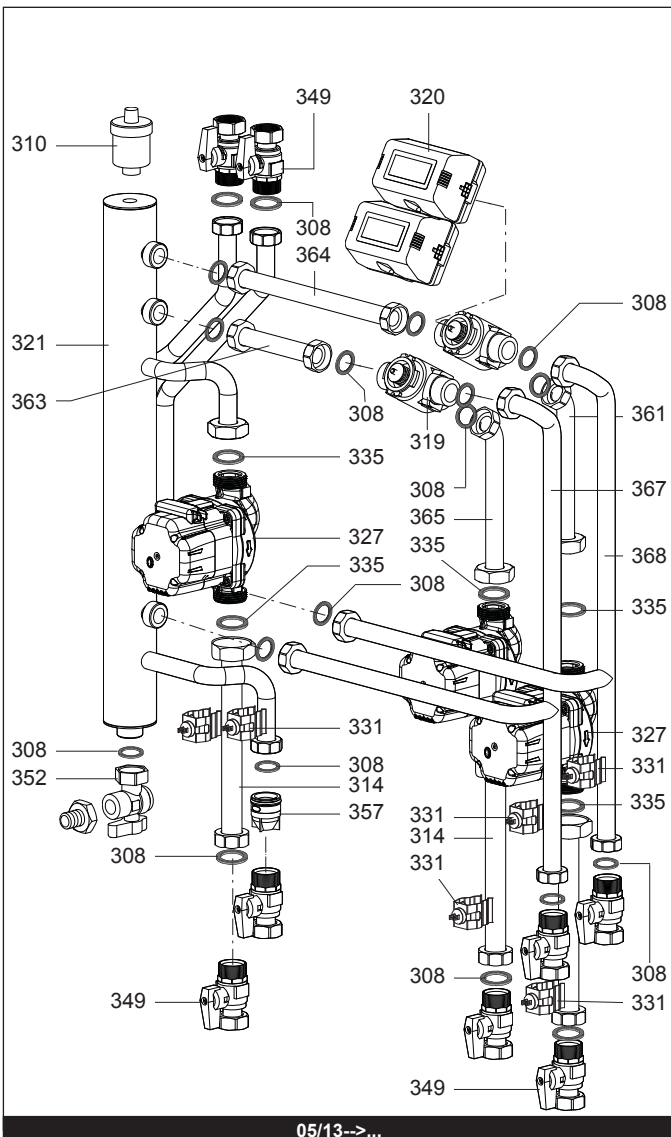


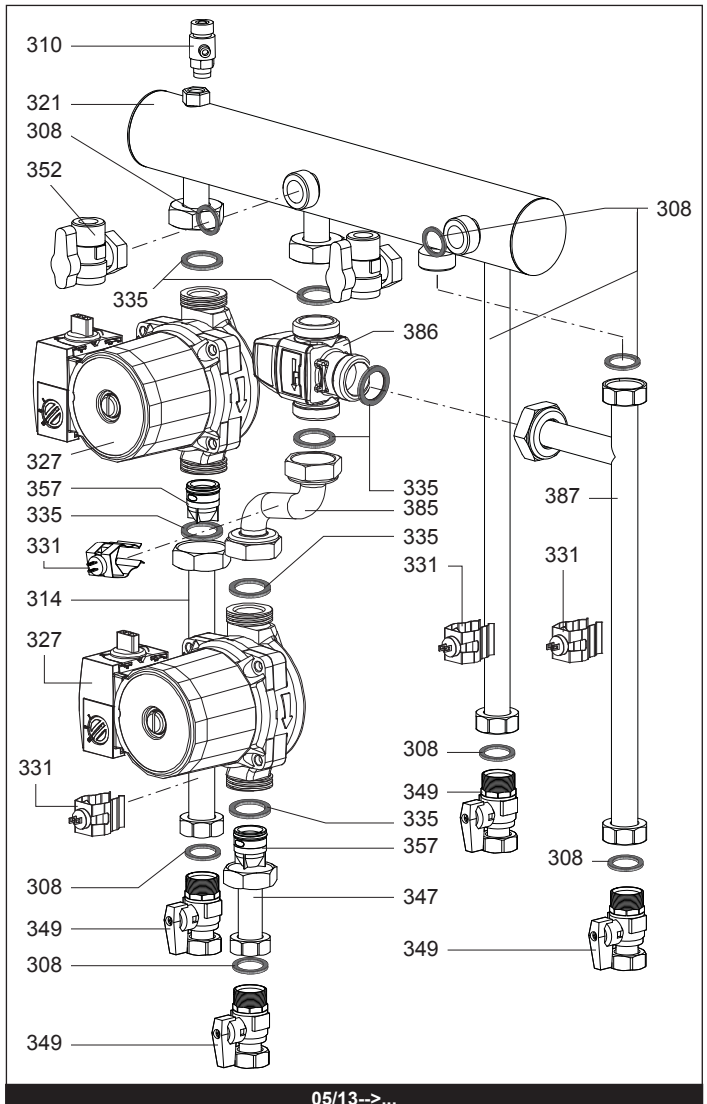
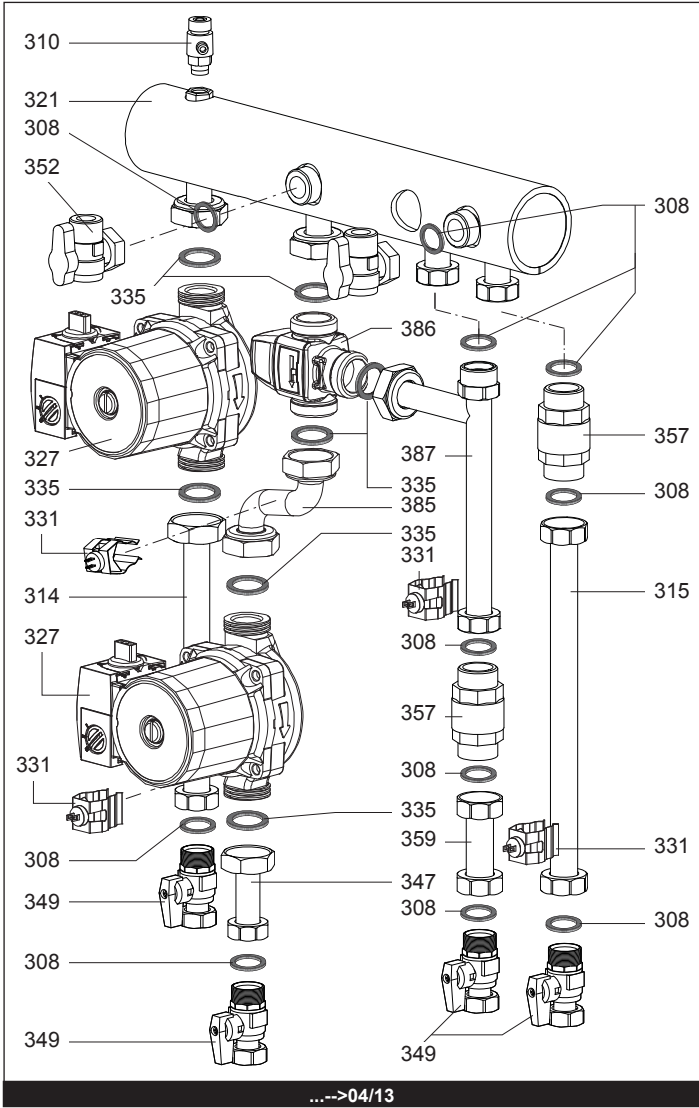
MCD

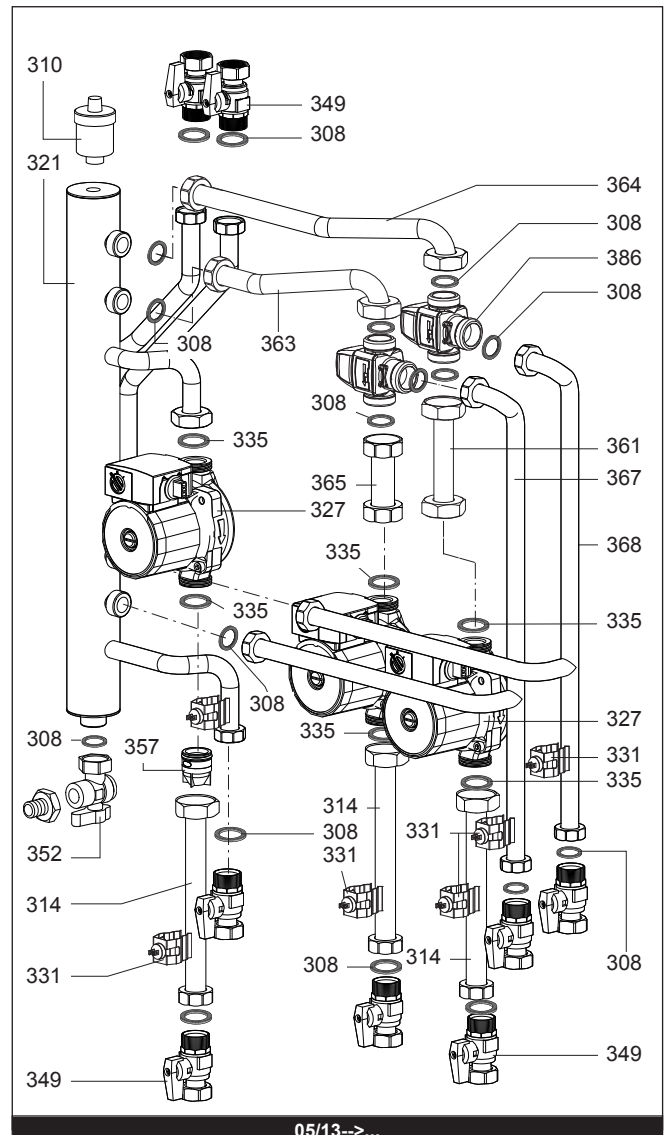
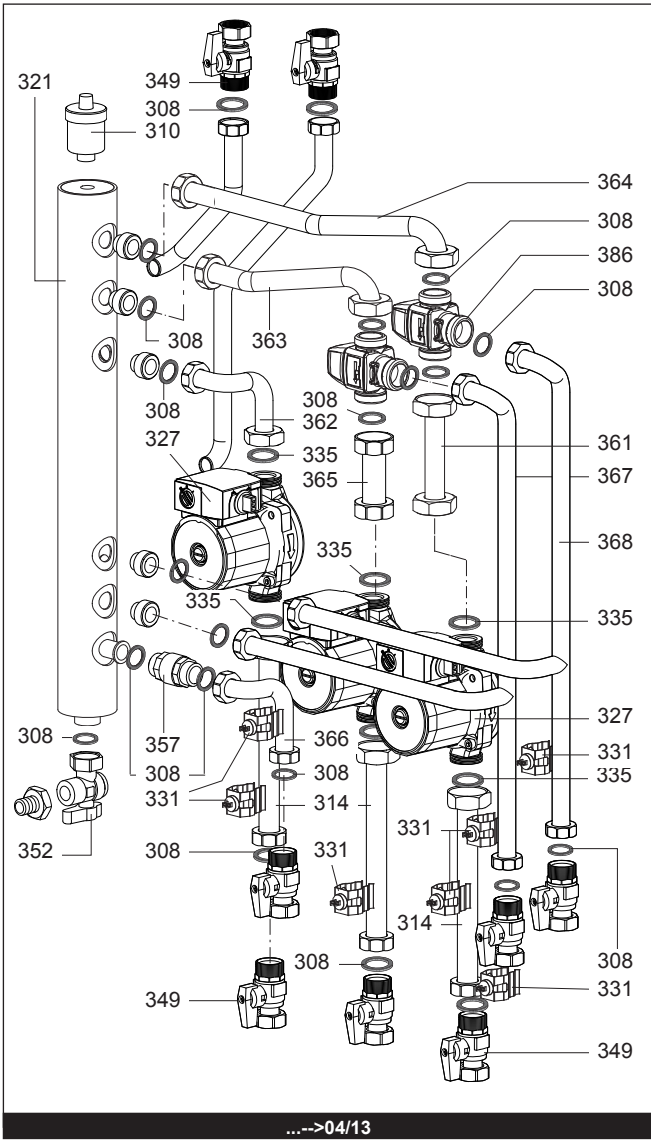


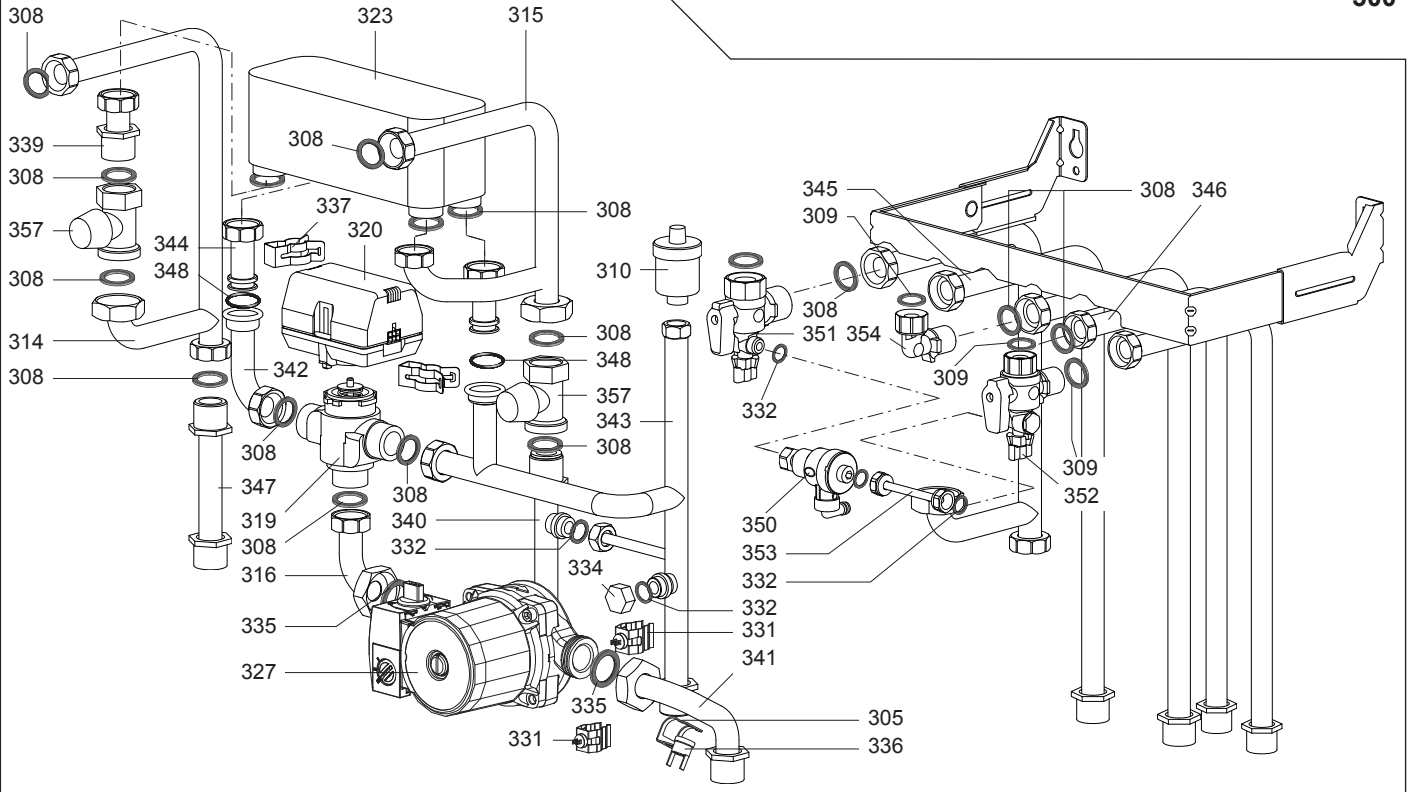
3318628



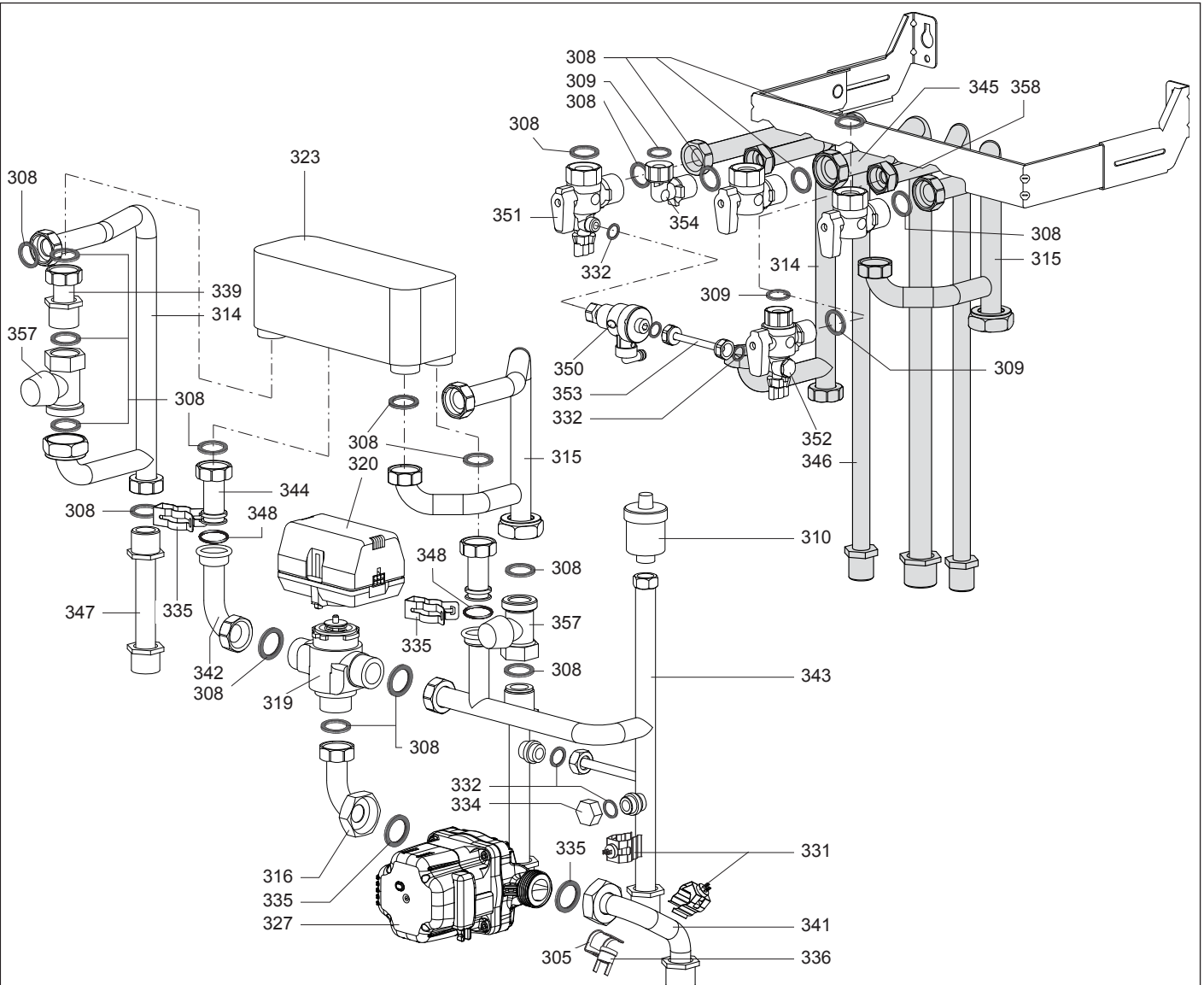








MCD



MCD GAL EVO II

LIST OF THE ABBREVIATIONS

HW	: Hot water.
CW	: Cold water.
C	: Ceramic resistance (normal heating).
Ca	: Ceramic resistance (accelerated heating)
TP	: Immersion heater.
1F	: With fittings.
2F	: Without fittings.
3F	: With fittings and another outlet connection.
AMI	: With mixing valve.
SMI	: Without mixing valve.
PUISS	: Power of th appliance.
PN	: Appliance with normal pression.
LP	: Appliance with low pression.
PV	: Appliance with variable power.
PF	: Appliance with fixed power.

The indications mentioned on the prices, commercial or technical literature and the scheme are written for your guidance and are available at a given time. The CONSTRUCTOR retains the power to modify the presentation, the form, the size, the conception or the material of the products.
